

CLH08

PARTS MANUAL



STRIPPER HEADER

Shelbourne Reynolds Engineering Ltd
Stanton, Bury St Edmunds, Suffolk
IP31 2AR
England

Telephone: 01359 250415
Fax: 01359 250464

Stores Direct : 01359 251231
Stores Direct: 01359 252031

Shelbourne Reynolds Inc.
Colby PO box 607
1250 S Country Club Drive
Colby , Kansas 67701
U.S.A.

Telephone: (785) 462 6299
Fax: (785) 462 6761

Issue 2 05/08/2022

ORDERING SPARE PARTS

IMPORTANT

Your CLH08 is made up of a Machine assembly number (common parts), specific sub assemblies and also customer optional build kits. The machine, sub assemblies and optional kit numbers are listed in the front pages of your Operators manual, part no. MAN-01210.

If you do not have these numbers please contact Shelbourne Reynolds Parts Department direct on (telephone) 01359 251231.

To ensure that you order the correct part from your SRE dealer please use the following procedure.

ALWAYS QUOTE THE MACHINE AND SERIAL NUMBERS WHEN ORDERING.

Refer to the Parts Manuals front page/s, listing the machine assemblies. Select the correct machine assembly number which is printed in the top left corner of the page (starting with 196 _ _ _ 01), This machine number can also be taken off the CLH08 identification plate located on the front of the main chassis beam.

On this page you will find the parts listing for the common parts for every configuration of that machine assembly number. You will find the corresponding drawing by either looking at the facing page or progressing through the manual to the next drawing. The drawings indicate the components by item numbers, which you will find, are repeated in the left-hand side of your parts listing, and therefore referring to the correct part.

Note all parts will not be found listed below the machine number. Other parts will be from specific sub assemblies and optional kits. These sub assemblies and kits will be found in numerical order further through the manual.

Sub assemblies start with 196_ _ _ 01 and kits start with KIT- _ _ _ _ .

KEY

m = Meter,

A/R = Quantity as Required

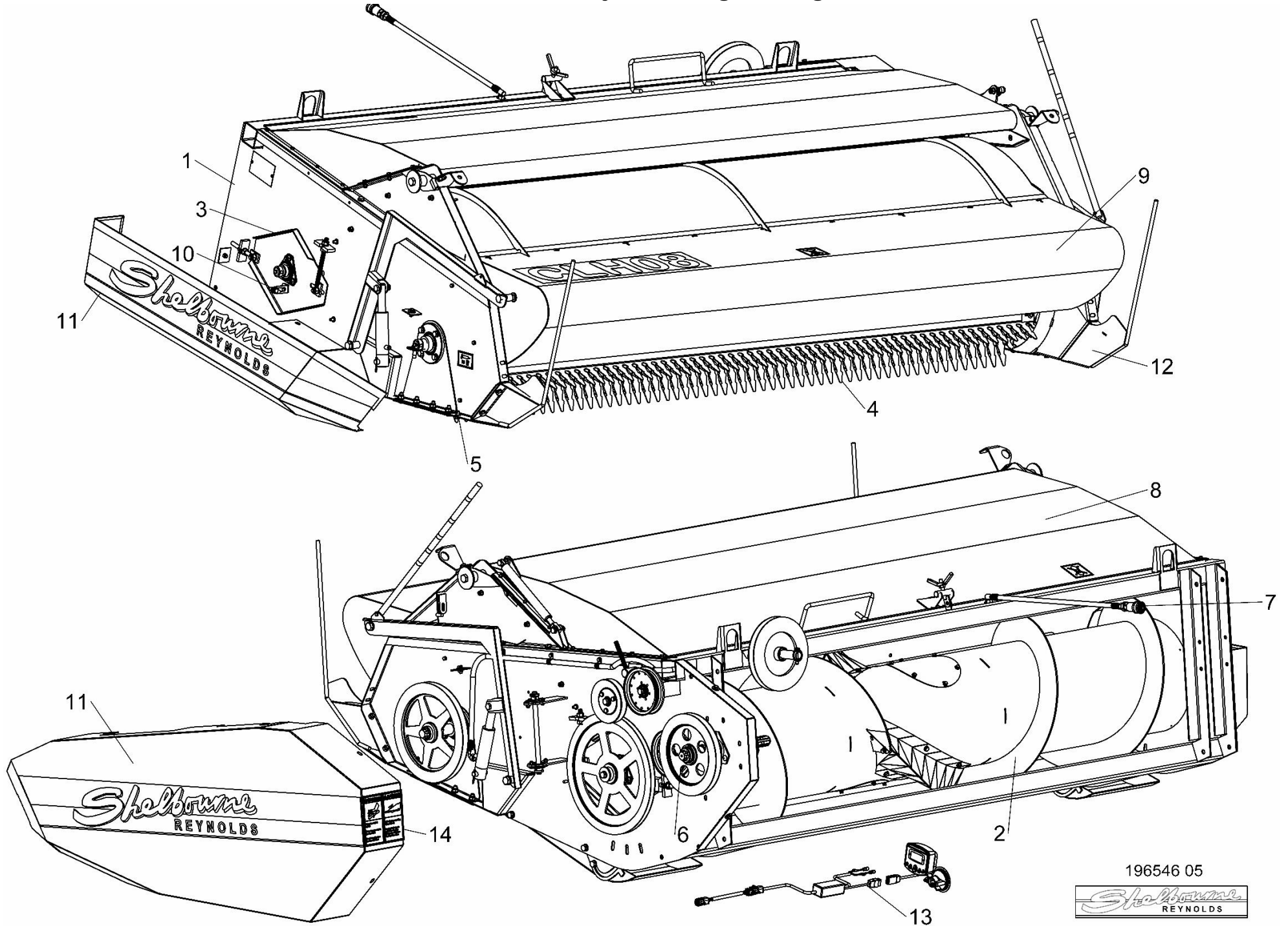
List Of Kit Numbers

196546 08	Shelbourne Header (RH End Feed)	4
196546 05	Shelbourne Header (Centre Feed)	6
196156 04	Stripping Rotor Assembly 2.4m	8
196157 04	Adjustable Crop Deflector Sub Assembly	10
196158 04	Top Door Cowl Assembly	12
196159 05	Auger Assembly (Non-Offset)	14
196160 01	Auger Mounting Sub Assembly	16
196161 01	Rotor Mounting Sub	18
196162 05	Hydraulics Sub Assembly (Non-Offset)	20
196163 03	Drives Sub Assembly (Non-Offset)	22
196164 05	Frame And Parts Sub Assembly (Non-Offset)	24
196165 01	Emblems And Guards Sub	26
196299 01	Auger Assembly Centred	28
196300 01	Auger Assembly RH End Feed	30
196301 01	Crop Divider Sub	32
KIT-01401	Safety Decal Kit (North America)	34
KIT-01402	Safety Decal Kit (ISO)	36
KIT-01900	Vee Pulley Idler Assembly	38
RDS-0003	RDS Equipment Stepped Drive	40
RDS-0005	RDS Equipment Stepped Drive	40
RDS-0007	RDS Equipment Stepped Drive	40

Shelbourne Reynolds Engineering Limited

ASSY NUMBER: 196546 05				ASSY DESCRIPTION: CLH08 SHELBOURNE HEADER (CENTRE FEED)			
ITEM	PART NO	DESCRIPTION	QTY	ITEM	PART NO	DESCRIPTION	QTY
1	196164 05	FRAME & PARTS SUB ASSY	1				
2	196299 01	AUGER ASSY CENTRED PADDLE (2019 & ON)	1				
OR	196159 05	AUGER ASSY (UP TO 2019)	1				
3	196160 01	AUGER MTG SUB ASSY (UP TO 2019)	1				
4	196156 04	STRIPPING ROTOR SUB ASSY	1				
5	196161 01	ROTOR MTG SUB ASSY	1				
6	196163 03	ROTOR/AUGER DRIVE SUB	1				
7	196162 05	HYDRAULICS	1				
8	196158 04	TOP DOOR COWL SUB ASSY	1				
9	196157 04	ADJ CROP DEFLECTOR SUB ASSY	1				
10	RDS-0007	HEADER MONITOR LOOM KIT (2019 & ON)	1				
OR	RDS-0005	HEADER MONITOR LOOM KIT (UP TO 2019)	1				
11	196165 01	EMBLEMS & GUARDS SUB ASSY	1				
12	196301 01	CLH DIVIDER SUB ASSY (2019 & ON)	1				
OR	196132 01	SHORT DIVIDER SUB ASSY	1				
OR	196078 01	TORPEDO DIVIDER SUB ASSY	1				
13	RDS-0003	COMBINE MONITOR KIT (2011 & ON)	1				
OR	RDS-0001	COMBINE MONITOR KIT (UPTO 2011)	1				
14	KIT-01401	SAFETY DECAL KIT (N AMERICA)					
OR	KIT-01402	SAFETY DECAL KIT (REST OF WORLD)					

Shelbourne Reynolds Engineering Limited



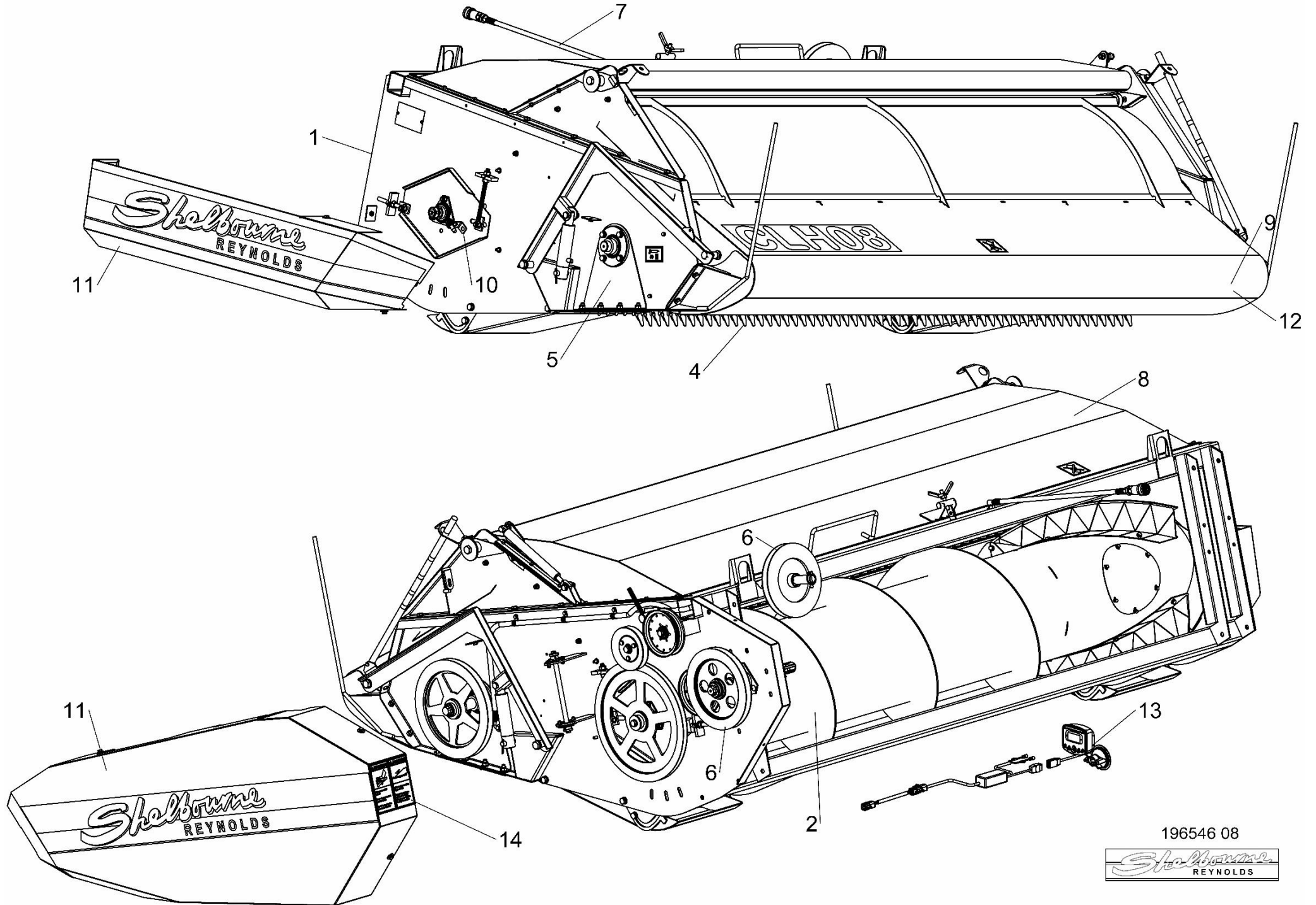
196546 05



Shelbourne Reynolds Engineering Limited

ASSY NUMBER: 196546 08				ASSY DESCRIPTION: CLH08 SHELBOURNE HEADER (RH END FEED)			
ITEM	PART NO	DESCRIPTION	QTY	ITEM	PART NO	DESCRIPTION	QTY
1	196164 05	FRAME & PARTS SUB ASSY	1				
2	196300 01	AUGER ASSY RH END PADDLE	1				
3							
4	196156 04	STRIPPING ROTOR SUB ASSY	1				
5	196161 01	ROTOR MTG SUB ASSY	1				
6	196163 03	ROTOR/AUGER DRIVE SUB	1				
7	196162 05	HYDRAULICS	1				
8	196158 04	TOP DOOR COWL SUB ASSY	1				
9	196157 04	ADJ CROP DEFLECTOR SUB ASSY	1				
10	RDS-0007	HEADER MONITOR LOOM KIT	1				
11	196165 01	EMBLEMS & GUARDS SUB ASSY	1				
12	196301 01	CLH DIVIDER SUB ASSY	1				
13	RDS-0003	COMBINE MONITOR KIT	1				
14	KIT-01401	SAFETY DECAL KIT (N AMERICA)					
OR	KIT-01402	SAFETY DECAL KIT (REST OF WORLD)					

Shelbourne Reynolds Engineering Limited



196546 08

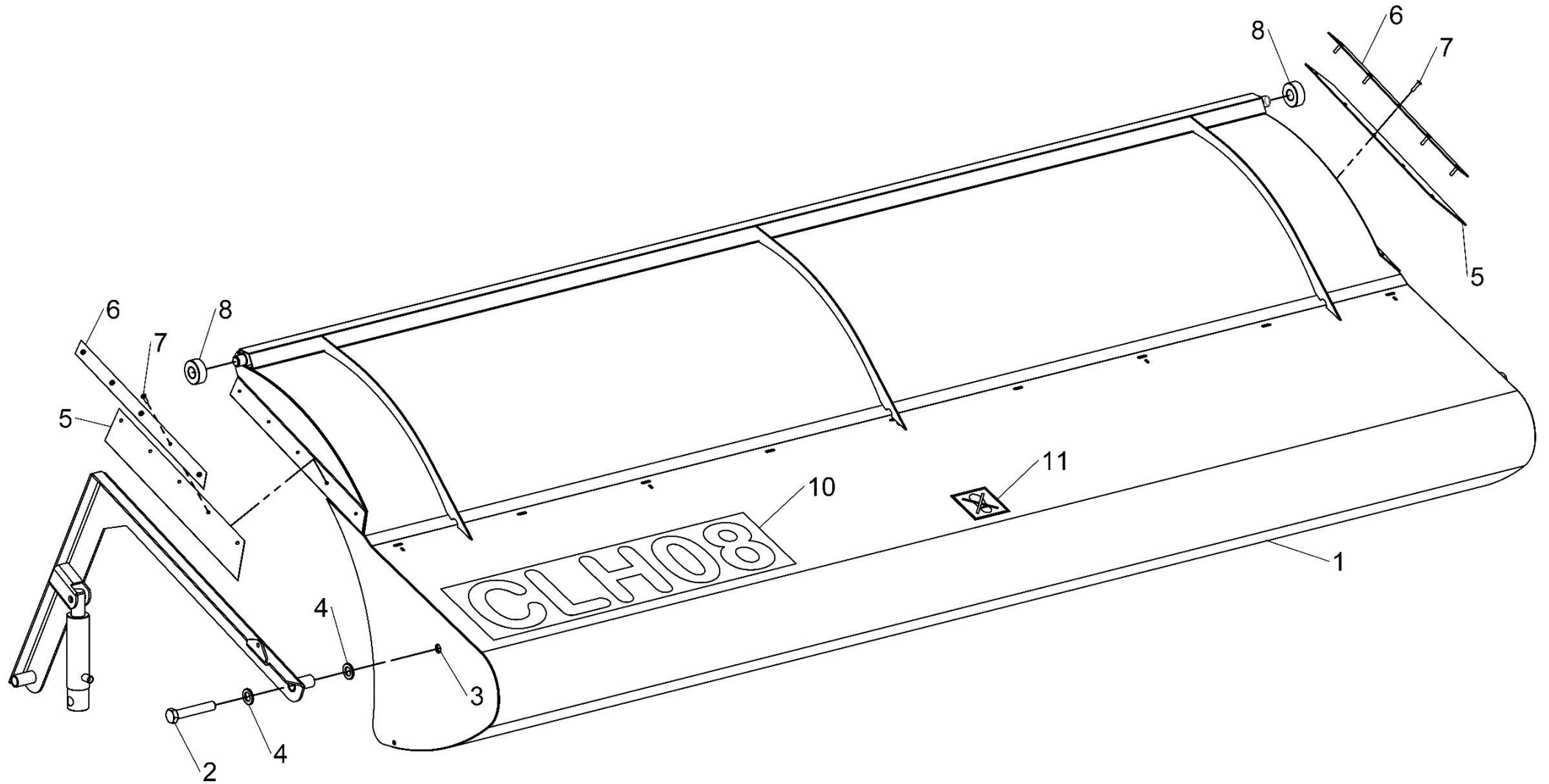


Shelbourne Reynolds Engineering Limited

ASSY NUMBER: 196156 04				ASSY DESCRIPTION: STRIPPING ROTOR ASSY 2.4M			
ITEM	PART NO	DESCRIPTION	QTY	ITEM	PART NO	DESCRIPTION	QTY
1	192892 01	OUTER HUB CASTING L.H.	1				
2	192892 02	OUTER HUB CASTING R.H.	1				
3	192892 03	INNER HUB CASTING	1				
4	193620 01	ROTOR SECTION 2.4M	8				
5	HSSG10204	SET SCREW	60				
6	193558 02	END HOLE ELEMENT	16				
7	193558 01	STANDARD ELEMENT	16				
8	197719 01	SEED SAVER RH CENTRE	8				
9	197719 02	SEED SAVER LH CENTRE	8				
10	197717 01	SEED SAVER FINGER CTR	16				
11	HSSF08174	SET SCREW	128				
12	192679 01	ANTI WRAP PLATE	16				
13	WSH-1034	PENNY WASHER	32				
14	SCW-5180	SELF TAP.SCREW	32				
15	193619 01	DRIVE SHAFT W/A	1				
16	193622 01	IDLE SHAFT W/A	1				
17	192959 01	OUTER CLAMP RING	4				
18	193118 01	BALANCE WEIGHT	A/R				
19	193118 02	BALANCE WEIGHT	A/R				
					NOTE	197719 01 & 197719 02 ARE CORRECT PARTS WHEN FINGERS SET WITH FLANGES UP, i.e., AGGRESSIVE. WHEN FLANGES ARE DOWN, i.e., NON-AGGRESSIVE, FLIP 197719 01 & 198719 02 AROUND WITH EACH OTHER.	

Shelbourne Reynolds Engineering Limited

ASSY NUMBER: 196157 04				ASSY DESCRIPTION: ADJ.CROP DEFLECTOR SUB ASSY (CLH08)			
ITEM	PART NO	DESCRIPTION	QTY	ITEM	PART NO	DESCRIPTION	QTY
1	193625 01	ADJ.CROP DEFLECTOR (2.4M)	1				
2	HSS-0330	SET SCREW	2				
3	NUT-0179	PLAIN NUT	2				
4	WSH-0024	PLAIN WASHER	4				
5	192037 01	RUBBER SEAL	2				
6	192038 01	CLAMP STRIP	2				
7	POP-0006	POP RIVET	10				
8	191642 01	ROLLER	2				
9	191981 01	EMBLEM SR (UP TO 2016)	1				
10	291123 01	EMBLEM CLH08 (2019 & ON)	1				
OR	192735 12	EMBLEM CX24 (UP TO 2019)	1				
11	192718 01	TRANSFER	1				

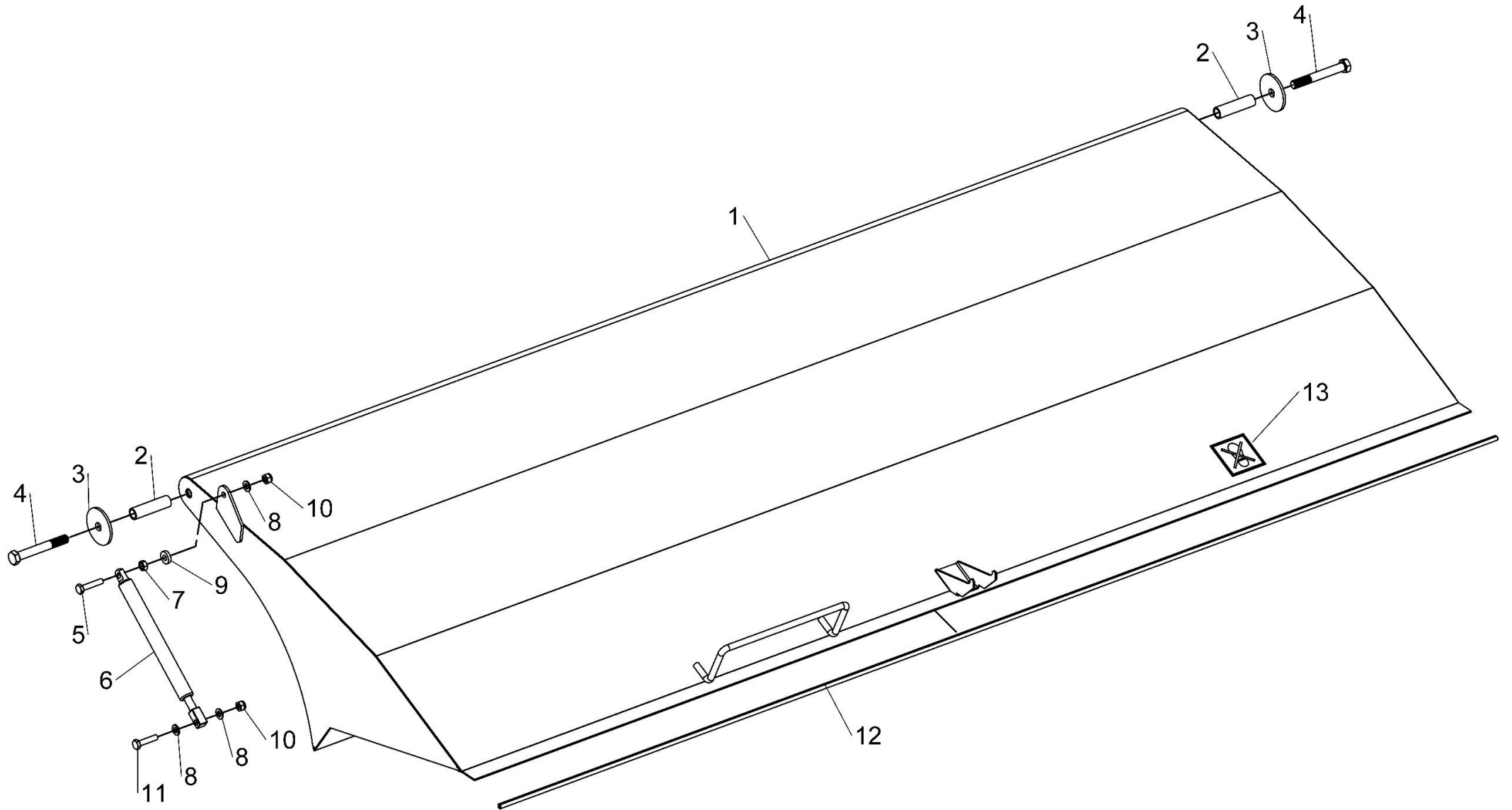


196157 04



Shelbourne Reynolds Engineering Limited

ASSY NUMBER: 196158 04				ASSY DESCRIPTION: TOP DOOR COWL ASSY (CLH08)			
ITEM	PART NO	DESCRIPTION	QTY	ITEM	PART NO	DESCRIPTION	QTY
1	193632 01	COWL ASSY (CX24)	1				
2	193633 01	SPACER	2				
3	193634 01	PLATE	2				
4	BLT-2330	BOLT	2				
5	HSS-0210	SET SCREW	1				
6	GSTA14404	GAS STRUT	1				
7	NUT-0167	PLAIN NUT	1				
8	WSH-0015	PLAIN WASHER	3				
9	193635 01	SPACER PLATE	1				
10	NUT-0265	NYLOC NUT	2				
11	BLTA10290	BOLT	1				
12	EDS-11600	SEAL STRIP	2.4M				
13	192718 01	TRANSFER STRIP	2				

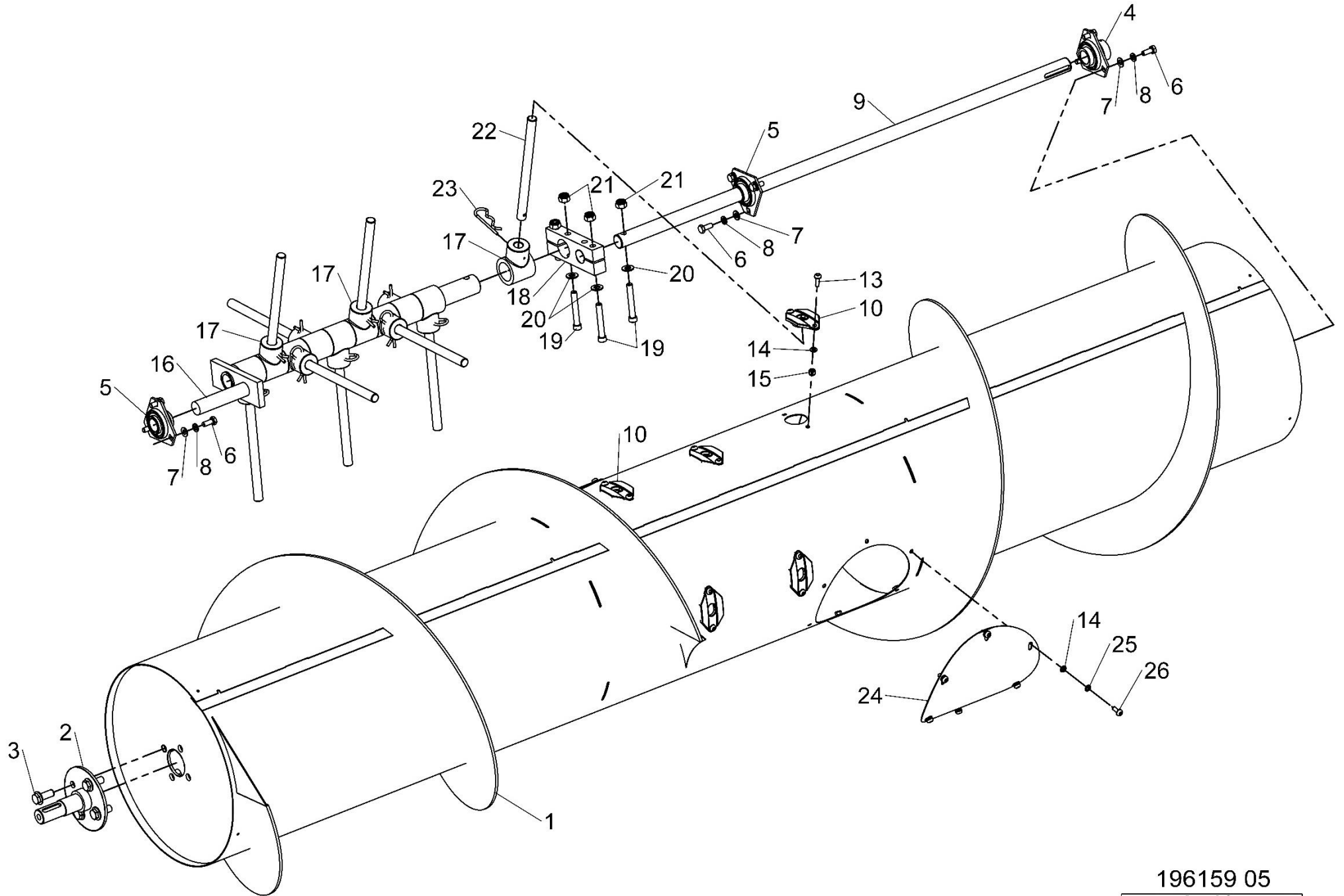


196158 04



Shelbourne Reynolds Engineering Limited

SSY NUMBER: 196159 05				ASSY DESCRIPTION: AUGER ASSY CX24 (NON OFFSET)			
ITEM	PART NO	DESCRIPTION	QTY	ITEM	PART NO	DESCRIPTION	QTY
1	194187 01	AUGER W.ASSY.	1				
2	193643 01	AUGER DRIVE SHAFT	1				
3	HSSF12204	SET SCREW	4				
4	BRG-0218	BEARING	1				
5	BRG-7080	BEARING	2				
6	HSS-0140	SET SCREW	9				
7	WSH-0012	PLAIN WASHER	9				
8	WSH-0058	SPRING WASHER	9				
9	192223 08	AUGER SHAFT	1				
10	AUG-00500	AUHGGER FINGER GUIDE	10				
11							
12							
13	SCW-4960	BUTT.HD.SKT.SCREW	20				
14	WSH-0009	PLAIN WASHER	32				
15	NUT-0260	NYLOC NUT	20				
16	192311 07	AUGER CRANK	1				
17	AUG-02500	FINGER HOLDER	10				
18	192307 01	AUGER CLAMP	1				
19	SCCA10412	CAP HD SKT SCREW	4				
20	WSH-0015	PLAIN WASHER	4				
21	NUT-0265	NYLOC NUT	4				
22	192310 01	FINGER	10				
23	AUG-03000	HAIRPIN COTTER	10				
24	193203 01	COVER PLATE	2				
25	WSH-0056	SPRING WASHER	12				
26	SCW-4959	BUTT.HD.SKT.SCREW	12				



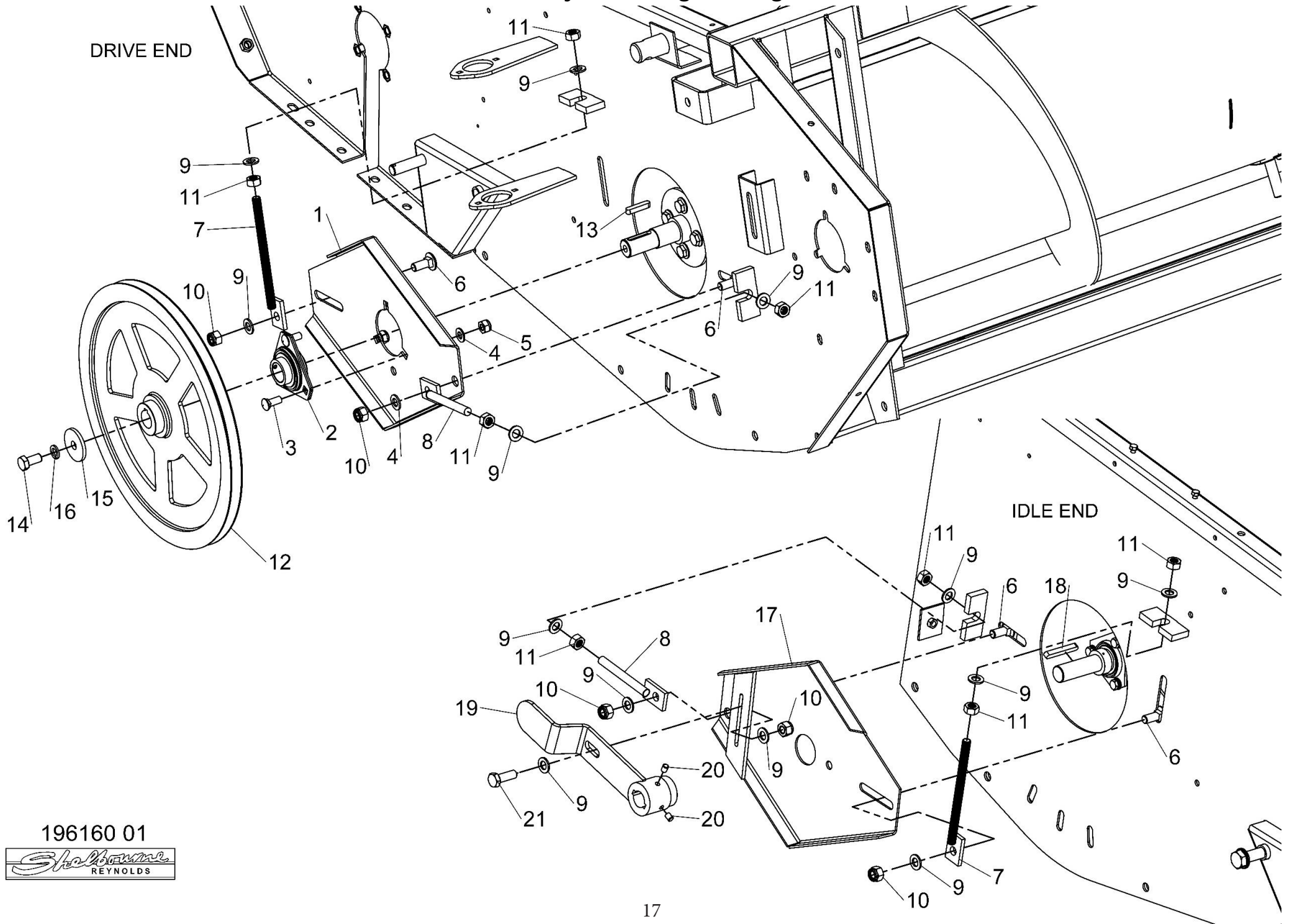
196159 05



Shelbourne Reynolds Engineering Limited

ASSY NUMBER: 196160 01				ASSY DESCRIPTION: AUGER MOUNTING SUB ASSY (CX24)			
ITEM	PART NO	DESCRIPTION	QTY	ITEM	PART NO	DESCRIPTION	QTY
1	200035 03	SUPPORT PLATE L.H.	1				
2	BRG-0240	BEARING	1				
3	BLT-3745	COACH BOLT	3				
4	WSH-0015	PLAIN WASHER	3				
5	NUT-0265	NYLOC NUT	3				
6	BLT-3790	COACH BOLT	4				
7	192636 06	VERTICAL ADJUSTER	2				
8	192636 01	HORIZONTAL ADJUSTER	2				
9	WSH-0018	PLAIN WASHER	14				
10	NUT-0269	NYLOC NUT	5				
11	NUT-0170	PLAIN NUT	8				
12	193647 01	PULLEY W/A	1				
13	K0807040	KEY	1				
14	HSS-0235	SETSCREW	1				
15	190119 15	WASHER	1				
16	WSH-0065	SPRING WASHER	1				
17	200038 01	SUPPORT PLATE R.H.	1				
18	K0807060	KEY	1				
19	200120 02	ADJUSTER ASSY	1				
20	SCW-4535	GRUB SCREW	2				
21	HSS-0241	SET SCREW	1				

Shelbourne Reynolds Engineering Limited

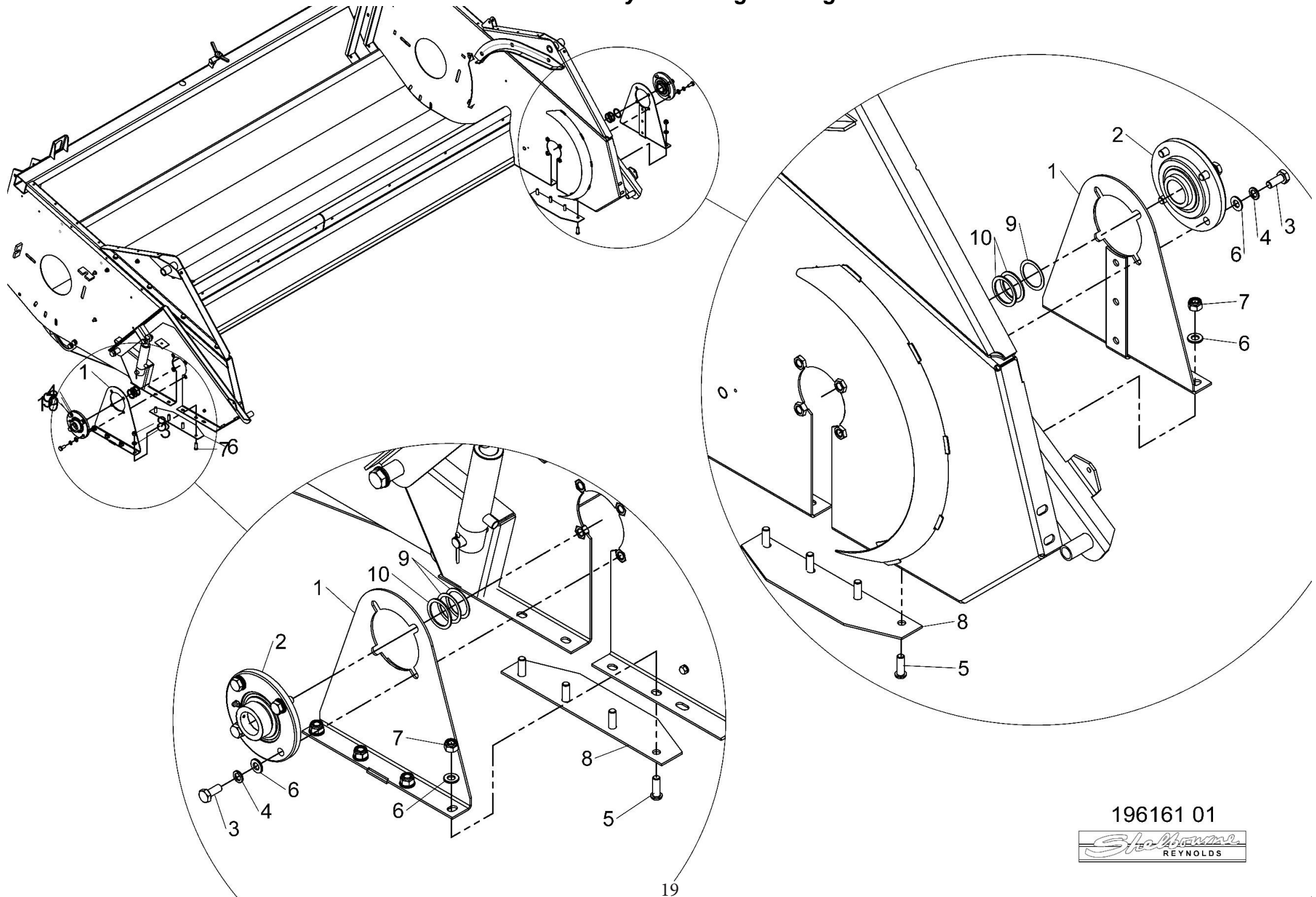


196160 01



Shelbourne Reynolds Engineering Limited

ASSY NUMBER: 196161 01				ASSY DESCRIPTION: CLH08 ROTOR MTG SUB			
ITEM	PART NO	DESCRIPTION	QTY	ITEM	PART NO	DESCRIPTION	QTY
1	193658 01	ROTOR MTG PLATE	2				
2	BRG-23505	BEARING	2				
3	HSS-0191	SETSCREW	8				
4	WSH-0061	WASHER	8				
5	SCW-0516	SCREW	8				
6	WSH-0015	WASHER	8				
7	NUT-0265	NUT	8				
8	192353 02	DIVIDING PLATE	2				
9	193655 01	SHIM	A/R				
10	193655 02	SHIM	A/R				

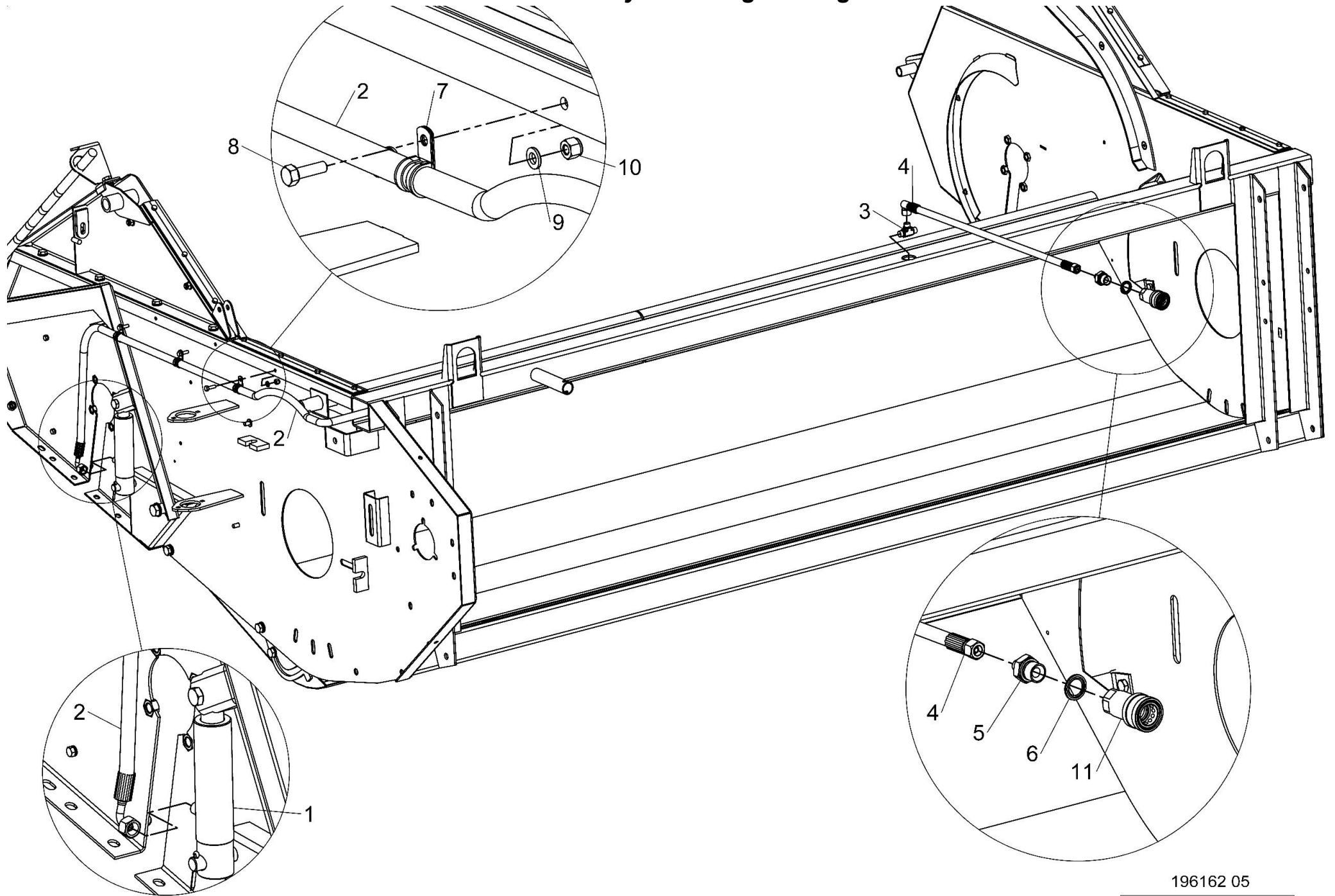


196161 01



Shelbourne Reynolds Engineering Limited

ASSY NUMBER: 196162 05				ASSY DESCRIPTION: CLH08 (NON OFFSET) HYDRAULICS SUB ASSY			
ITEM	PART NO	DESCRIPTION	QTY	ITEM	PART NO	DESCRIPTION	QTY
1	193506 01	HYDRAULIC RAM	2				
1A	RMSK-00030	RAM SEAL KIT	2				
2	HHBC26005	HYDRAULIC HOSE	2				
3	HMT-0010	HYD.TEE FITTING	1				
4	HHBC16005	HYDRAULIC HOSE	1				
5	HMA-0055	ADAPTER	1				
6	WSH-1015	DOWTY WASHER	1				
7	CLP-01012	P CLIP	6				
8	HSS-0086	SETSCREW	6				
9	WSH-0009	PLAIN WASHER	6				
10	NUT-0260	NYLOC NUT	6				
11	COU-0128	QUICK RELEASE COUPLING	1				

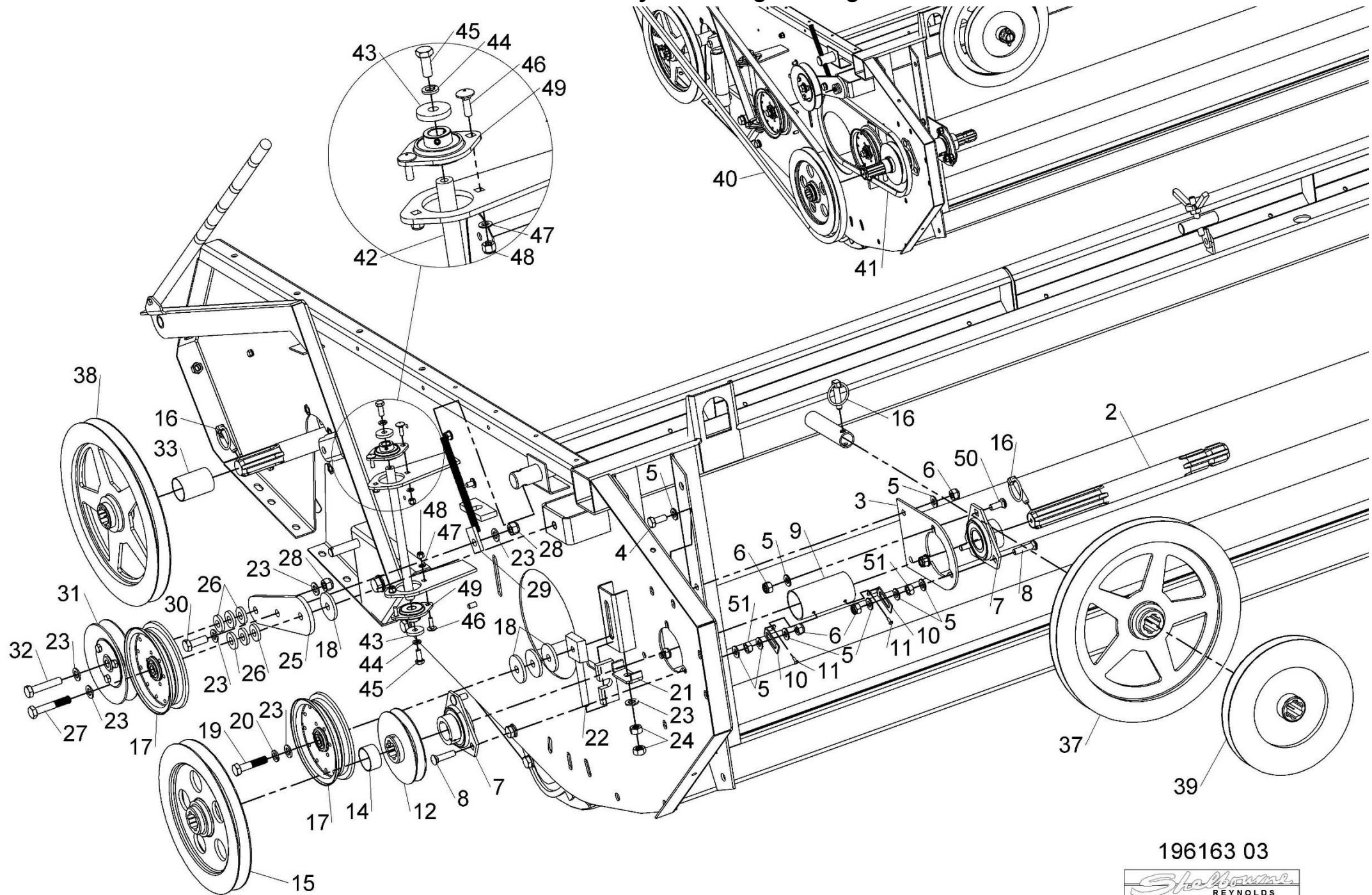


196162 05

Shelbourne Reynolds Engineering Limited

ASSY NUMBER: 196163 03				ASSY DESCRIPTION: CLH08 (NON OFFSET) DRIVES SUB ASSY			
ITEM	PART NO	DESCRIPTION	QTY	ITEM	PART NO	DESCRIPTION	QTY
1				37	193665 01	PULLEY W/A	1
2	194191 01	INPUT DRIVE SHAFT	1	38	193675 01	PULLEY W/A	1
3	193688 01	BEARING MOUNTING PLATE	1	39	193652 01	PULLEY W/A	1
4	HSS-0191	SETSCREW	2	40	BEL-03355	BELT	1
5	WSH-0015	PLAIN WASHER	14	41	BEL-02190	BELT	1
6	NUT-0265	NUT	8	42	291133 01	SHAFT (2019&ON)	1
7	BRG-3220	BEARING	2	43	190548 29	WASHER (2019&ON)	2
8	BLT-3755	COACHBOLT	2	44	WSH-0058	SPRING WASHER (2019&ON)	2
9	210106 05	GUARD TUBE	1	45	HSS-0140	BOLT (2019&ON)	2
10	610464 01	FIXING BRACKET	2	46	BLTF06143	COACHBOLT (2019&ON)	4
11	SCW-5104	SELF TAPP SCREW	2	47	WSH-0009	PLAIN WASHER (2019&ON)	4
12	193651 01	PULLEY	1	48	NUT-0260	NYLOC NUT (2019&ON)	4
13				49	BRG-21505	BEARING (2019&ON)	2
14	193656 02	SPACER	1	50	BLT-3745	COACHBOLT	4
15	193684 01	PULLEY	1	51	NUT-0167	NUT	2
16	PIN-01950	LYNCH PIN	3				
17	PUL-0045	PULLEY	2				
18	190119 15	WASHER	4				
19	BLTA12350	BOLT	1				
20	WSH-0065	SPRING WASHER	1				
21	191774 01	PLATE	1				
22	193674 01	IDLER ADJUSTER SCREW	1				
23	WSH-0018	PLAIN WASHER	7				
24	NUT-0170	NUT	2				
25	193660 01	TENSIONING BRKT	1				
26	190119 16	WASHER	6				
27	BLTA12440	BOLT	1				
28	NUT-0269	NUT	2				
29	192636 06	VERTICAL ADJUSTER	1				
30	HSS-0241	SETSCREW	1				
31	KIT-01900	PULLEY SEE KIT-01900 PAGE FOR PARTS BREAKDOWN	1				
32	BLTA12380	BOLT	1				
33	193656 01	SPACER	1				
34	194192 01	SHAFT (UP TO 2019)	1				
35	194193 01	BOSS (UP TO 2019)	2				
36	BRG-11200	BEARING (UP TO 2019)	2				

Shelbourne Reynolds Engineering Limited



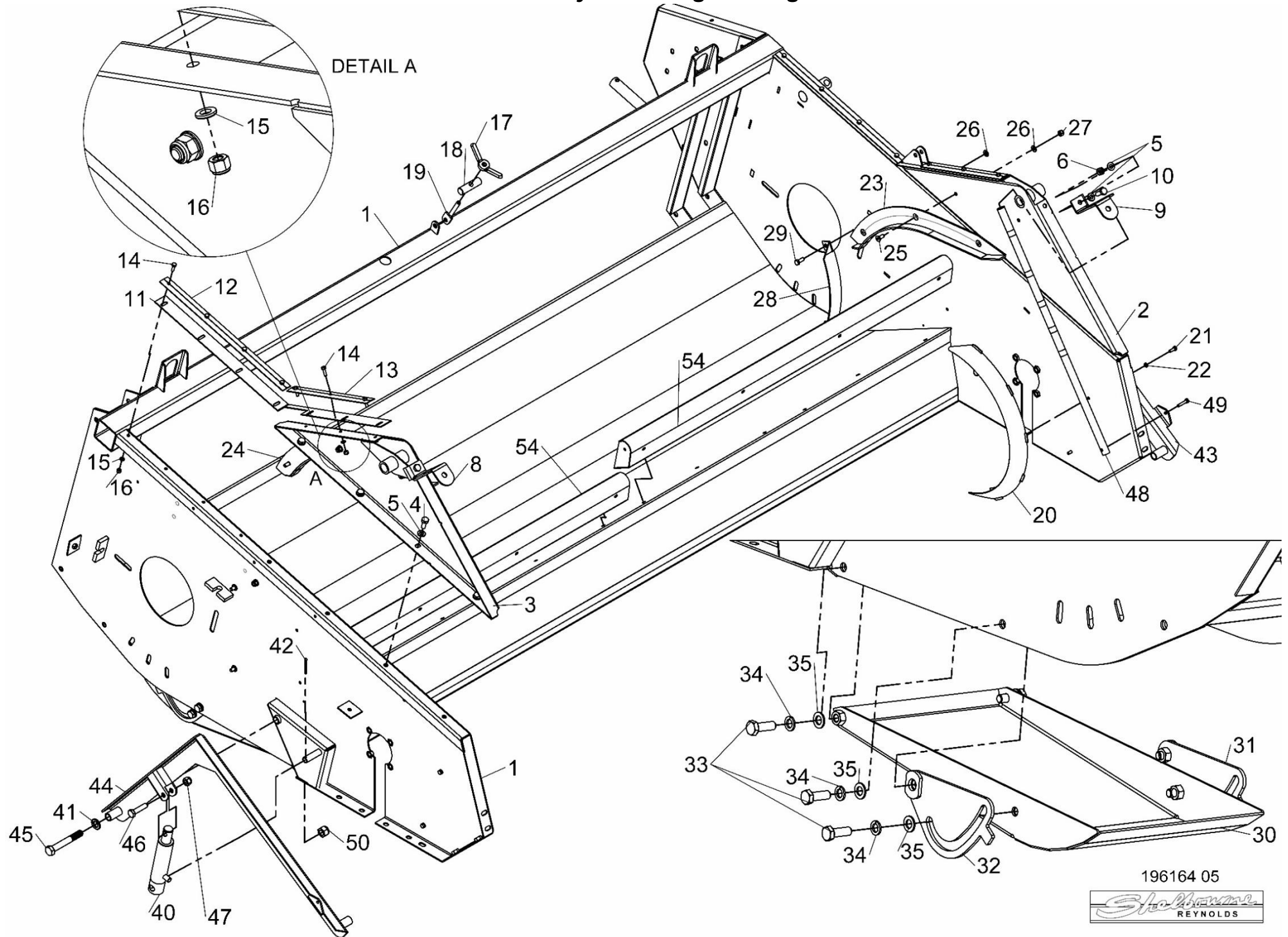
196163 03



Shelbourne Reynolds Engineering Limited

ASSY NUMBER: 196164 05				ASSY DESCRIPTION: CLH08 (NON OFFSET) FRAME & PARTS SUB ASSY			
ITEM	PART NO	DESCRIPTION	QTY	ITEM	PART NO	DESCRIPTION	QTY
1	195660 01	MAINFRAME (NON OFFSET)W/A	1	40a	RMSK00030	SEAL KIT	
2	193705 01	HOOD MOUNTING W/A LH	1	41	WSH-0024	PLAIN WASHER	6
3	193705 02	HOOD MOUNTING W/A RH	1	42	PIN-1150	SPLIT PIN	2
4	HSS-0191	SETSCREW	9	43	193699 01	ADJ. COWL SUPPORT ARM LH	1
5	WSH-0015	PLAIN WASHER	11	44	193699 02	ADJ. COWL SUPPORT ARM RH	1
6	NUT-0265	NUT	11	45	BLT-2325	BOLT	2
7	192550 01	NOSE ARM STOP PLATE	1	46	HSS-0260	SETSCREW	2
8	193480 01	SUPPORT BRKT RH	1	47	NUT-0269	NUT	2
9	193480 02	SUPPORT BRKT LH	1	48	192494 01	INDICATOR ROD	1
10	HSS-0194	SETSCREW	3	49	HSS-0092	SETSCREW	1
11	193691 01	RUBBER SEAL	2	50	NUT-0271	NUT	2
12	193690 01	SEAL CLAMP	2	51	193723 02	ADJUSTABLE SCRAPER (UPTO 2019)	1
13	193232 01	SEAL CLAMP	2	52	193723 04	ADJUSTABLE SCRAPER (UPTO 2019)	1
14	HSS-0086	SETSCREW	22	53	197124 01	ANTI SPILL PLATE (2011 & ON)	1
15	WSH-0009	PLAIN WASHER	17	OR	194330 01	RADIUS MOULDING (PRE 2011)	1
16	NUT-0260	NUT (M6 NYLOC)	23	54	197124 01	ANTI SPILL PLATE (2011 & ON)	1
17	193661 01	HANDLE ASSY	1	OR	194330 02	RADIUS MOULDING (PRE 2011)	2
18	193662 01	RETAINING BAR	1	55	SCHE05170	SELF TAP SCREW (PRE 2011)	10
19	193669 01	RETAINING SCREW W/A	1	56	WSH-1036	PENNY WASHER	13
20	193363 01	ROTOR DEFLECTOR	2				
21	HSS-0084	SETSCREW	6				
22	WSH-0056	SPRING WASHER	6				
23	192055 01	RUNNER ASSY LH	1				
24	192055 02	RUNNER ASSY RH	1				
25	SCW-1735	CSK SOCKET HD	6				
26	WSH-0012	PLAIN WASHER	29				
27	NUT-0263	NUT	26				
28	192304 01	AUGER END DEFLECTOR	2				
29	HSS-0140	SETSCREW	4				
30	193645 01	SKID	2				
31	193644 01	SKID ADJUSTER W/A LH	2				
32	193644 02	SKID ADJUSTER W/A RH	2				
33	HSS-0241	SETSCREW	12				
34	WSH-0065	SPRING WASHER	12				
35	WSH-0018	PLAIN WASHER	6				
36							
37	192543 01	CROP DIVIDER ADJ.PLATE (UPTO 2019)	2				
38	BLT-4710	COACHBOLT (UPTO 2019)	16				
39	PIN-01790	LYNCH PIN & CHAIN (UPTO 2019)	2				
40	193506 01	HYDRAULIC RAM	2				

Shelbourne Reynolds Engineering Limited



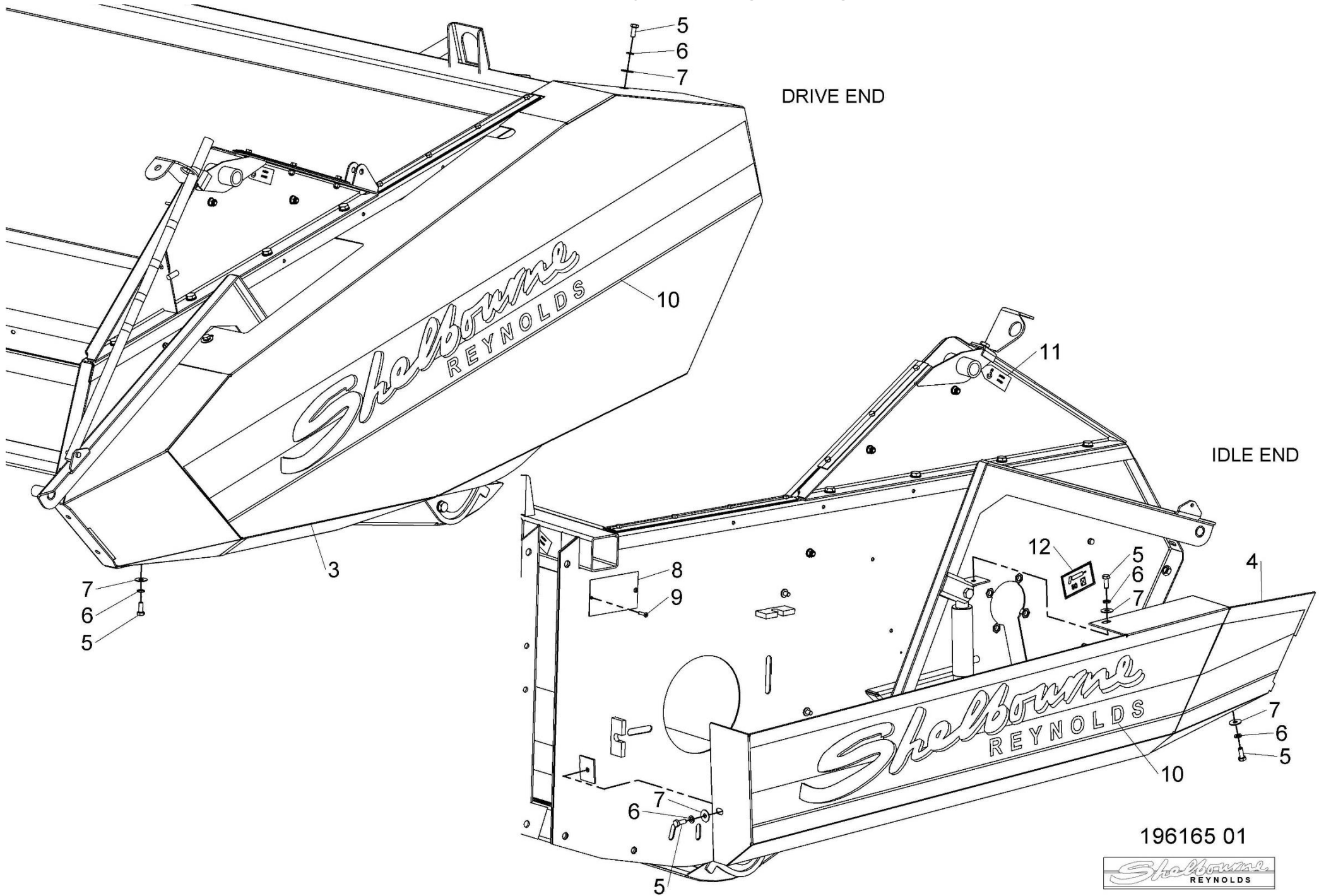
196164 05



Shelbourne Reynolds Engineering Limited

ASSY NUMBER: 196165 01				ASSY DESCRIPTION: CLH08 EMBLEMS AND GUARDS SUB			
ITEM	PART NO	DESCRIPTION	QTY	ITEM	PART NO	DESCRIPTION	QTY
1	193730 01	LH GUARD	1				
2	193710 01	RH GUARD	1				
3	HSS-0140	SET SCREW	7				
4	WSH-0058	SPRING WASHER	7				
5	WSH-1038	PENNY WASHER	7				
6	290526 01	IDENTIFICATION PLATE	1				
7	POP-0006	POP RIVET	4				
8	198764 01	TRANSFER	2				
9							
10							
11							
12							
13							
14	190702 04	EMBLEM	4				
15							
16							
17							
18							
19	127075 16	EMBLEM	2				

Shelbourne Reynolds Engineering Limited



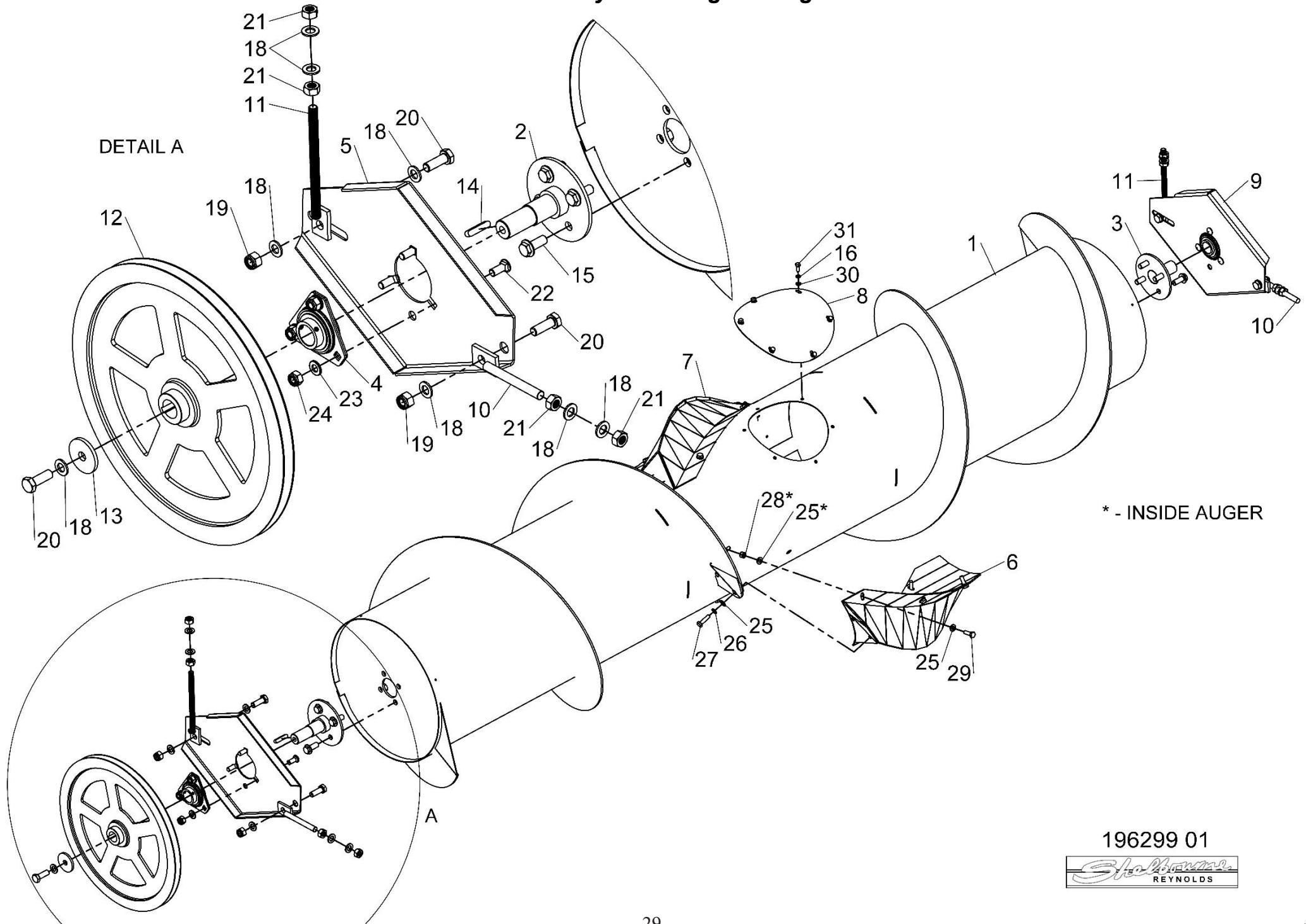
196165 01



Shelbourne Reynolds Engineering Limited

ASSY NUMBER: 196299 01				ASSY DESCRIPTION: CLH08 AUGER ASSEMBLY CENTRED			
ITEM	PART NO	DESCRIPTION	QTY	ITEM	PART NO	DESCRIPTION	QTY
1	291117 01	2.4m CENTRE FEED AUGER	1				
2	193643 01	AUGER DRIVE SHAFT W/A	1				
3	291118 01	AUGER IDLE SHAFT	1				
4	BRG-0240	BEARING	2				
5	200035 03	AUGER SUPPORT PLATE	1				
6	198820 01	BOLT ON PADDLE	1				
7	198820 02	BOLT ON PADDLE	1				
8	193203 01	INSPECTION COVER	2				
9	200035 04	AUGER SUPPORT PLATE	1				
10	192636 01	HORIZONTAL ADJUSTER	2				
11	192636 06	VERTICAL ADJUSTER	2				
12	193647 01	PULLEY	1				
13	190119 15	WASHER	1				
14	K0807040	KEY	1				
15	HSSF12204	TENSILOCK BOLT	8				
16	WSH-0056	SPRING WASHER	12				
17							
18	WSH-0018	WASHER	17				
19	NUT-0269	NYLOC NUT	4				
20	HSS-0241	BOLT	5				
21	NUT-0170	PLAIN NUT	8				
22	BLT-3745	COACHBOLT	6				
23	WSH-0015	PLAIN WASHER	6				
24	NUT-0265	NYLOC NUT	6				
25	WSH-0012	PLAIN WASHER	22				
26	WSH-0058	SPRING WASHER	2				
27	HSS-0150	BOLT	2				
28	NUT-0263	NYLOC NUT	10				
29	HSS-0145	BOLT	10				
30	WSH-0009	PLAIN WASHER	12				
31	HSS-0084	BOLT	12				

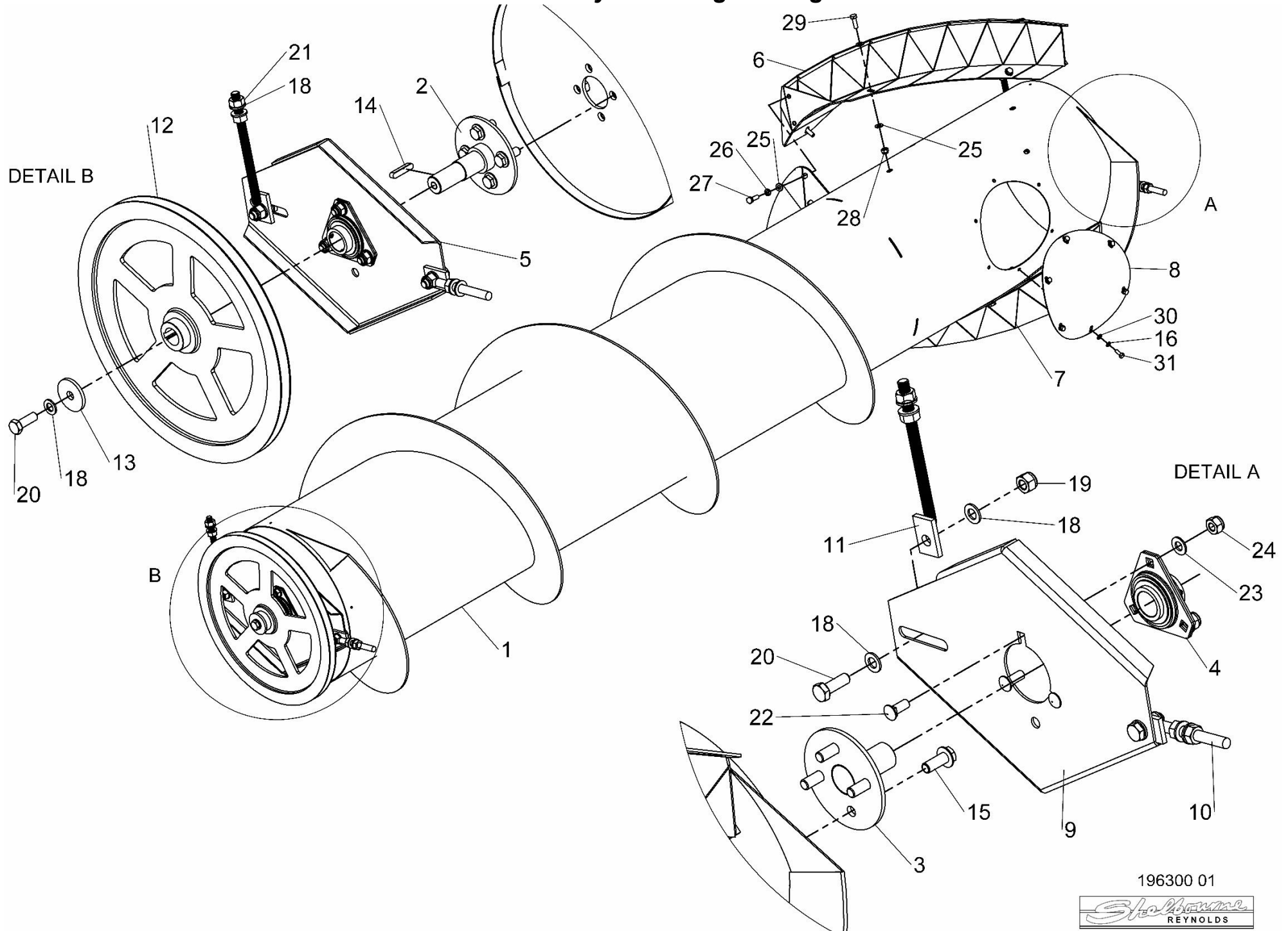
Shelbourne Reynolds Engineering Limited



Shelbourne Reynolds Engineering Limited

ASSY NUMBER: 196300 01				ASSY DESCRIPTION: CLH08 AUGER ASSEMBLY RH END FEED			
ITEM	PART NO	DESCRIPTION	QTY	ITEM	PART NO	DESCRIPTION	QTY
1	291136 01	2.4m OFFSET RH AUGER	1				
2	193643 01	AUGER DRIVE SHAFT W/A	1				
3	291118 01	AUGER IDLE SHAFT	1				
4	BRG-0240	BEARING	2				
5	200035 03	AUGER SUPPORT PLATE	1				
6	198820 01	BOLT ON PADDLE	1				
7	198820 02	BOLT ON PADDLE	1				
8	193203 01	INSPECTION COVER	1				
9	200035 04	AUGER SUPPORT PLATE	1				
10	192636 01	HORIZONTAL ADJUSTER	2				
11	192636 06	VERTICAL ADJUSTER	2				
12	193647 01	PULLEY	1				
13	190119 15	WASHER	1				
14	K0807040	KEY	1				
15	HSSF12204	TENSILOCK BOLT	8				
16	WSH-0056	SPRING WASHER	6				
17	HSS-0238	BOLT	1				
18	WSH-0018	WASHER	18				
19	NUT-0269	NYLOC NUT	5				
20	HSS-0241	BOLT	5				
21	NUT-0170	PLAIN NUT	8				
22	BLT-3745	COACHBOLT	6				
23	WSH-0015	PLAIN WASHER	6				
24	NUT-0265	NYLOC NUT	6				
25	WSH-0012	PLAIN WASHER	22				
26	WSH-0058	SPRING WASHER	2				
27	HSS-0150	BOLT	2				
28	NUT-0263	NYLOC NUT	10				
29	HSS-0145	BOLT	10				
30	WSH-0009	PLAIN WASHER	6				
31	HSS-0084	BOLT	6				

Shelbourne Reynolds Engineering Limited

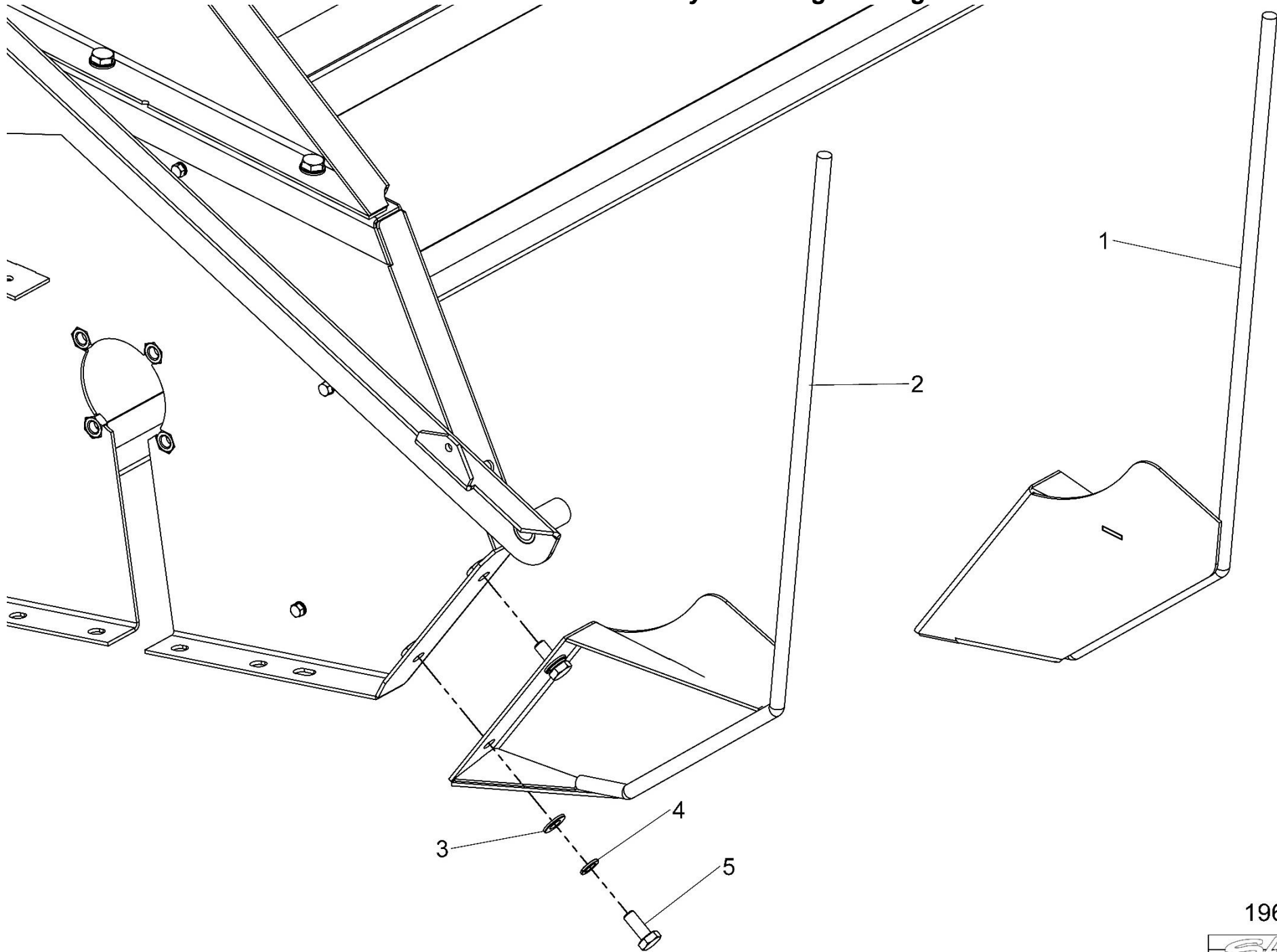


196300 01



Shelbourne Reynolds Engineering Limited

ASSY NUMBER: 196301 01				ASSY DESCRIPTION: CROP DIVIDER SUB			
ITEM	PART NO	DESCRIPTION	QTY	ITEM	PART NO	DESCRIPTION	QTY
1	291125 01	LH CROP DIVIDER W/A	1				
2	291125 02	RH CROP DIVIDER W/A	1				
3	WSH-0015	PLAIN WASHER	4				
4	WSH-0061	SPRING WASHER	4				
5	HSS-0191	BOLT	4				

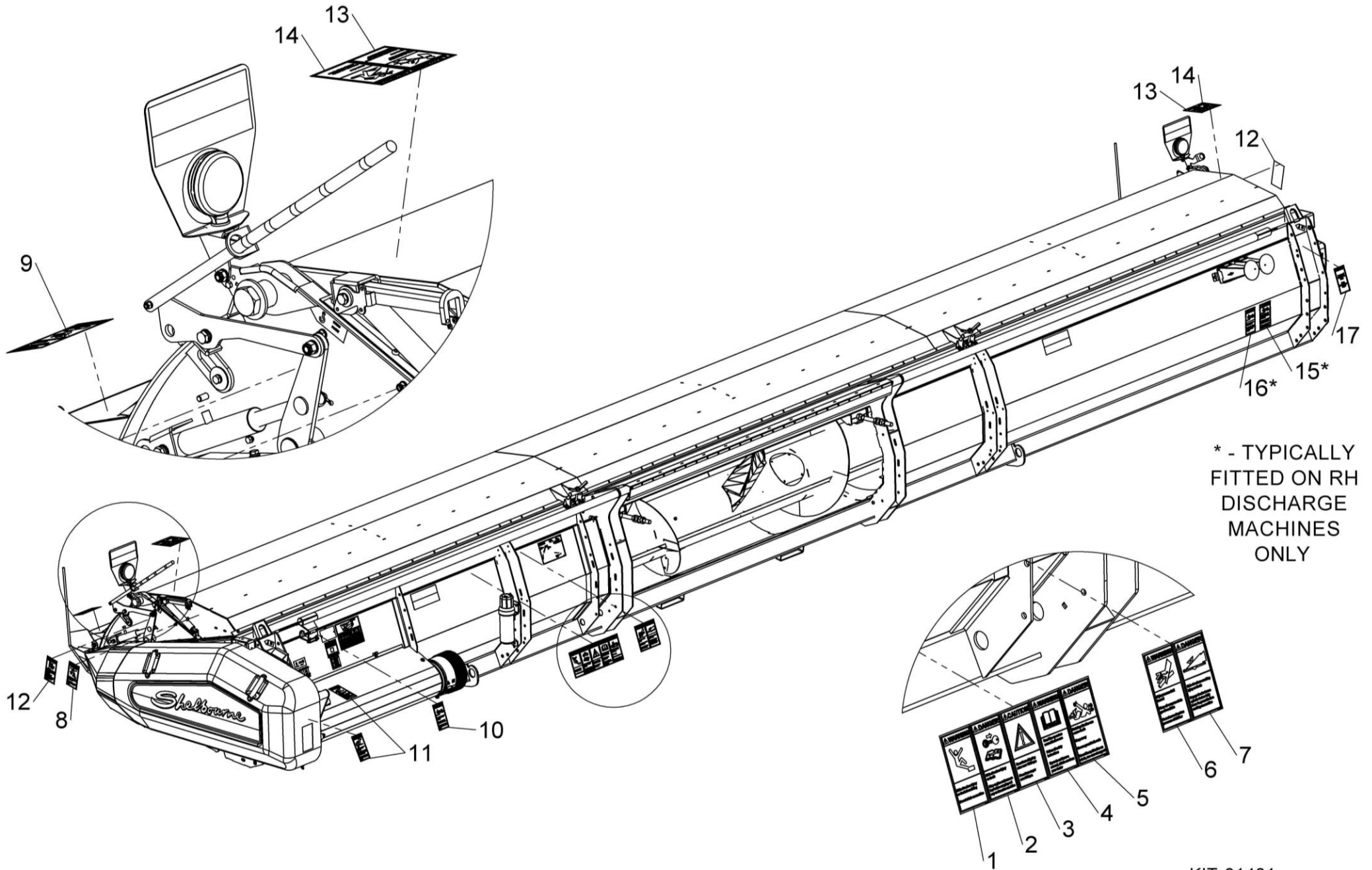


196301 01



Shelbourne Reynolds Engineering Limited

ASSY NUMBER: KIT-01401				ASSY DESCRIPTION: SAFETY DECAL KIT NORTH AMERICA			
ITEM	PART NO	DESCRIPTION	QTY	ITEM	PART NO	DESCRIPTION	QTY
1	198835 01	EMBLEM - DO NOT CLIMB	1				
2	198840 01	EMBLEM - STOP ENGINE	1				
3	198838 01	EMBLEM - SPEED RESTRICTION	1				
4	199011 01	EMBLEM - READ OPS MANUAL	1				
5	198842 01	EMBLEM - ROTATING DRIVE LINE	1				
6	198832 01	EMBLEM - HIGH PRESSUE FLUID	1				
7	198844 01	EMBLEM - RISK OF CRUSHING	1				
8	198843 01	EMBLEM - HOOD LOCK	1				
9	198836 01	EMBLEM - CROP DEFLECTOR LOCK	1				
10	198839 01	EMBLEM - AUGER	1				
11	198837 01	EMBLEM - MOVING PARTS UNDER	2				
12	198833 01	EMBLEM - CROP DEFLECTOR HAND	2				
13	198841 01	EMBLEM - ROTOR KEEP AWAY	2				
14	198834 01	EMBLEM - STAND CLEAR ROTOR	2				
15	291880 01	EMBLEM - AUGER UNDER COVER	1				
16	291881 01	EMBLEM - AUGER NO COVER	1				
17	291968 01	EMBLEM - P65	1				

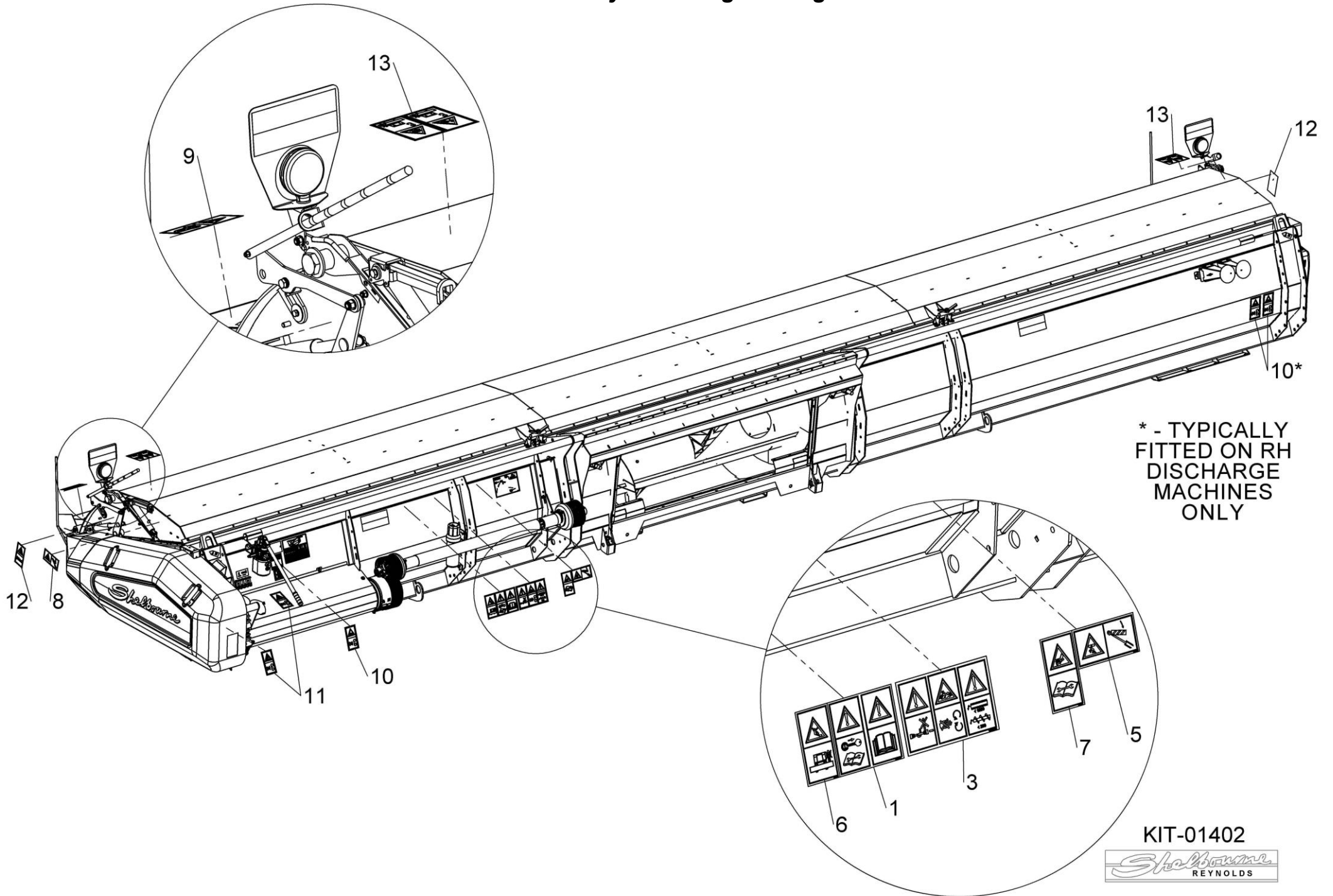


KIT-01401



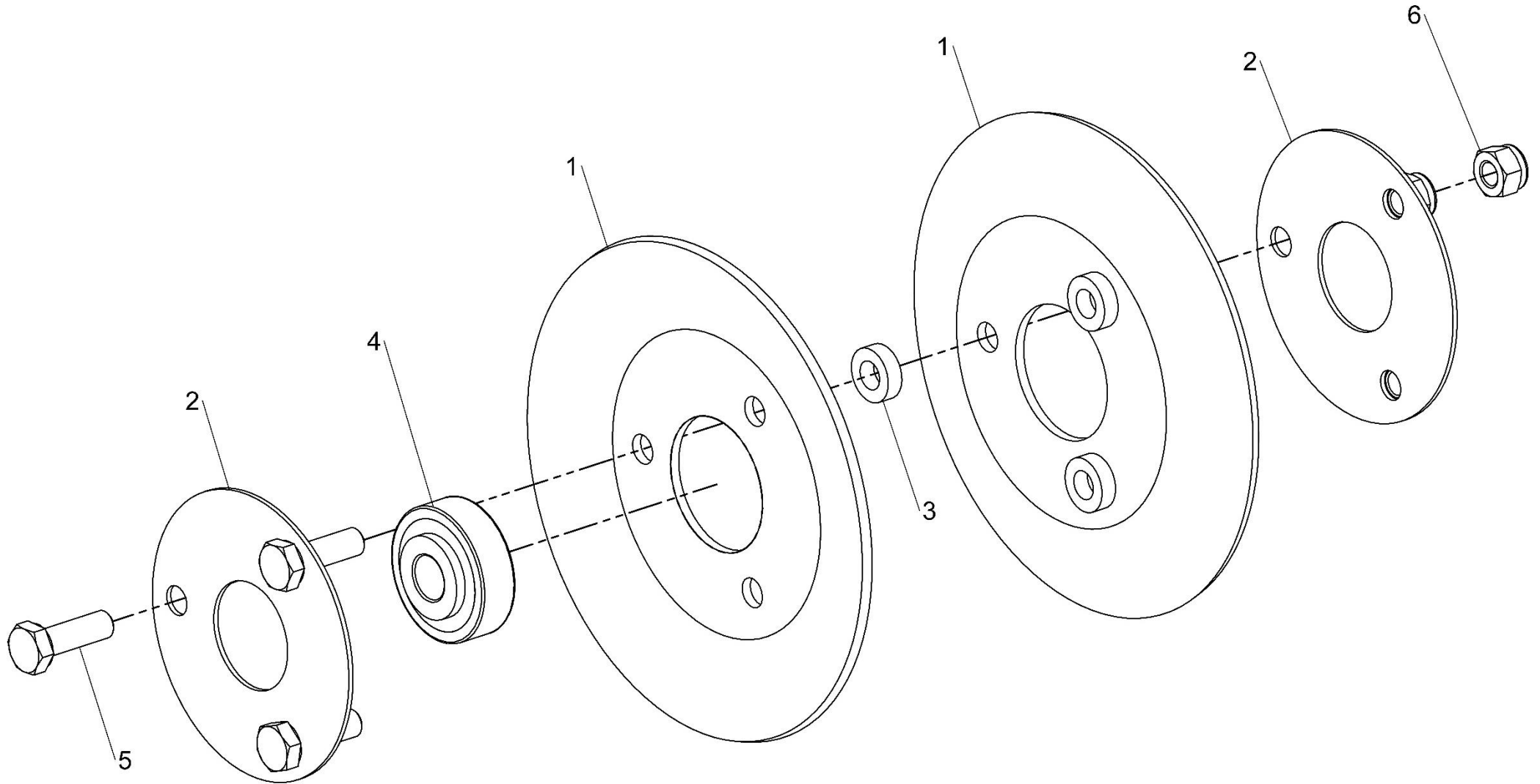
Shelbourne Reynolds Engineering Limited

ASSY NUMBER: KIT-01402				ASSY DESCRIPTION: SAFETY DECAL KIT ISO			
ITEM	PART NO	DESCRIPTION	QTY	ITEM	PART NO	DESCRIPTION	QTY
1	TNF-0011	EMBLEM - SAFETY MAINTENANCE	1				
2		OPERATORS MANUAL					
3	TNF-0012	EMBLEM - PTO GUARDS	1				
4		ROTOR/AUGER SPEED PTO CHAIN					
5	210435 01	EMBLEM - FEEDER HOUSE LOCK	1				
6	198847 01	EMBLEM - CLIMBING	1				
7	198846 01	EMBLEM - HIGH PRESSURE OIL	1				
8	210435 01	EMBLEM - HOOD LOCK	1				
9	198845 01	EMBLEM - CROP DEFLECTOR LOCK	1				
10	193393 01	EMBLEM - AUGER	3				
11	193392 01	EMBLEM - MOVING PARTS UNDER	2				
12	800215 01	EMBLEM - CROP DEFLECTOR HAND	2				
13	TNF-0010	EMBLEM - FLYING OBJECTS	2				
14		ROTOR ENTANGLEMENT					



Shelbourne Reynolds Engineering Limited

ASSY NUMBER: KIT-01900				ASSY DESCRIPTION: VEE PULLEY IDLER ASSY			
ITEM	PART NO	DESCRIPTION	QTY	ITEM	PART NO	DESCRIPTION	QTY
1	121005 01	SLEEVE	2				
2	121006 01	DISC	2				
3	121051 01	SPACER	3				
4	BRG-0370	BEARING	1				
5	HSS-0145	SET SCREW	3				
6	NUT-0263	NUT	3				



KIT-01900



Shelbourne Reynolds Engineering Limited

ASSY NUMBER: RDS-0001/RDS-0002/RDS-0003 & RDS-0005/RDS-0007				ASSY DESCRIPTION: RDS EQUIPMENT ALL YEARS			
ITEM	PART NO	DESCRIPTION	QTY	ITEM	PART NO	DESCRIPTION	QTY
1	RDS-0010	TACHO HEAD COMPLETE	1	12	RDS-0019	MAGNET	1
1a	RDS-0022	PLASTIC LOCK NUT & BALL	1	12a	HSS-0088	SETSCREW	1
1b	RDS-0024	POD FOOT	1	12b	WSH-0056	SPRING WASHER	1
2	RDS-0011	TACHO HEAD PLUG AND ARMS	1	12c		FIBRE WASHER	2
3	RDS-0012	HARTING CONNECTOR	1	13	RDS-0020	MAGNET CARRIER	1or2
3a		STICKER	1	13a	HSS-0088	SET SCREW	1
4	RDS-0013	AUDIBLE ALARM	1	13b	WSH-0056	SPRING WASHER	1
4a		FIXING BRACKET	1	13c	WSH-1036	PENNY WASHER	1
4b		SELF TAP.SCREWS	2	14	RDS-0021	ROTOR SENSOR BRACKET	1
5	RDS-0014	POWER CONNECTION LEAD	1	15	RDS-0027	TACHO HEAD COMPLETE	1
6	FUS-0022	FUSE (2 AMP BLADE)	1	15a	RDS-0029	TACHO HEAD FIX.ARM KIT	1
7	RDS-0015	COMBINE LEAD	1	15b	RDS-0006	CONNECTOR LEAD (SPARES ONLY)	1
8	RDS-0016	24V-12V CONVERTER KIT (SPARE PART ONLY)	1	16			
9	198323 01	SENSOR BRACKET (SLOTTED)	2	17	RDS-0028	JUNCTION BOX/COMBINE LEAD	1
10	RDS-0017	HEADER LEAD	1	17a	FUS-00026	FUSE (15 AMP BLADE)	1
11	RDS-0018	SHAFT SENSOR C/W FITTINGS	2	18	RDS-0030	COMBINE LEAD (RSD ONLY)	1
11a	RDS-0018A	PLAIN NUT	2	18a	FUS-0022	FUSE (2 AMP BLADE)	1
11b	WSHA20121	SHAKEPROOF WASHER	2				

Shelbourne Reynolds Engineering Limited

