

Shelbourne

REYNOLDS

MAN-0311

HYDRAULIC PUH ADAPTOR AND DRIVE PARTS MANUAL



Shelbourne Reynolds Engineering Ltd
Stanton
Bury St Edmunds
Suffolk
IP31 2AR
England

Telephone: 01359 250415
Fax: 01359 250464

Stores Direct : 01359 251231
Stores Direct: 01359 252031

Issue 2 27/11/2023

PICK UP HEADER

www.shelbourne.com



List Of Kit Numbers

196517 02K	Adaptor Plate Assembly - DEUTZ FAHR	5
KIT-00602	Adaptor Plate DEUTZ-FAHR	6
196517 03K	Adaptor Plate Assembly MF (DRON)	9
KIT-00603	Adaptor Plate MF	10
KIT-00801	MF (DRON) Fixing Kit	12
196517 04K	Adaptor Plate Assembly - CLAAS	15
KIT-00604	Adaptor Plate - CLAAS	16
KIT-00807	Fixing Kit (CLAAS)	18
196517 05K	Adaptor Plate Assembly - CLAAS	21
KIT-00605	Adaptor Plate - John Deere	22
KIT-00805	Bottom Pick Up Fixing Kit - John Deere	24
196517 06K	Adaptor Plate Assembly - New Holland	27
KIT-00606	Adaptor Plate - NH	28
196517 09K	Adaptor Plate Assembly - MF30-40(DRON)	31
KIT-00603	Adaptor Plate - MF (DRON)	32
KIT-00802	MF30-40 (DRON) Fixing Kit	34
196517 10K	Adaptor Plate Assembly - LAVERDA (35, 36 & 3700)	37
KIT-00609	Adaptor Plate - Laverda	38
KIT-00806	Laverda 35, 36 & 3700 Fixing Kit	40
196517 11K	Adaptor Plate Assembly - LAV (3800/3900)	43
KIT-00609	Adaptor Plate - LAVERDA	44
196517 17K	Adaptor Plate Assembly - CLAAS (AUTO-CONT.)	47
KIT-00604	Adaptor Plate - CLAAS (From 196517 04)	48
KIT-00804	Adaptor Plate Fixing Kit	50
196517 18K	Adaptor Plate Assembly - JD (Z SERIES)	53
KIT-00612	Adaptor Plate - JD-Z SERIES (From 196517 18K)	54
196517 19K	Adaptor Plate Assembly - CLAAS (LEXION)	57
KIT-00613	Adaptor Plate - CLAAS (LEXION)	58
196517 20K	Adaptor Plate Assembly - MF30-40(Auto,1996)	61
KIT-00614	Adaptor Plate - MF30-40 (Auto,1996)	62
196517 23K	Adaptor Plate Assembly - CASE IH (1998)	65
KIT-00617	Adaptor Plate - CASE IH (1998)	66
196517 24K	Adaptor Plate Assembly - CASE IH CF80	69
KIT-00618	Adaptor Plate - CASE IH /MDW E527	70
196517 26K	Adaptor Plate Assembly - NEW HOLLAND CX	73
KIT-00618	Adaptor Plate - New Holland CX	74
196517 30K	Adaptor Plate Assembly - MF Worldwide Pickup ERPN	77
KIT-00625	Adaptor Plate - AGCO (R/CX)	78
KIT-00812	Fill In Plate MF World Wide Pick Up	80

209902 001	P.U.H Drive Kit – CASE IH (ALL AXIAL)	82
209902 011	P.U.H Drive Kit – Claas (Pre Lexion)	84
209902 012	P.U.H Drive Kit – Claas (Lexion-6 Walk)	86
209902 013	P.U.H Drive Kit – Claas (Lexion-5 Walk)	88
209902 021	P.U.H Drive Kit – NH (TX,TF), LAV. (6 Walk)	90
209902 022	P.U.H Drive Kit – NH (TX,F,C), LAV. (5 Walk)	92
209902 023	P.U.H Drive Kit – NH CX 800 Series (6 Walk)	94
209902 024	P.U.H Drive Kit – NH CX 700 Series (5 Walk)	96
209902 031	P.U.H Drive Kit – JD (9,10,11 Series)	98
209902 032	P.U.H Drive Kit – JD1188	100
209902 041	P.U.H Drive Kit – (MF DRON)	102
209902 051	P.U.H Drive Kit – Deutz Fahr (Not ST.TR)	104
209902 052	P.U.H Drive Kit – Deutz Fahr (ST.TRK) & Case CF80	106
209902 071	P.U.H Drive Kit – NH (15,80 SO.Drive)	108
209902 111	P.U.H Drive Kit – MF (30-40 Pre Auto)	110
209902 112	P.U.H Drive Kit – MF (30-40 Auto Lev)	112
209902 113	P.U.H Drive Kit – MF Cera/Beta 2007	114
209902 151	P.U.H Drive Kit – USA JD 9600/8820	116
209902 171	P.U.H Drive Kit – JD ‘Z’ (6 Walk.ll)	118
209902 172	P.U.H Drive Kit – JD ‘Z’ (6 Walk.H.M.)	120
209902 173	P.U.H Drive Kit – JD ‘Z’ (5 Walk.ll.)	122
209902 174	P.U.H Drive Kit – JD ‘Z’ (5 Walk.H.M.)	124
KIT-00220	Short Drive Support Bracket Kit	126
KIT-00221	Long Drive Support Bracket Kit	128
KIT-00222	Extra Long Drive Support Bracket Kit	130
KIT-00223	Long Wide Drive Support Bracket Kit	132
KIT-00310	Bearing Box Assembly (NH SQ.DRV)	134
KIT-00311	Bearing Box Assembly (MF-DRON)	136
KIT-00931	PTO Support Kit	138
KIT-00975	JD Drive Coupling Adaptor Kit	140
KIT-01210	JD Drive Shaft Kit	142
KIT-02406	Hydraulic Pump & Gearbox Assembly. (MED)	144
KIT-02407	Hydraulic Pump & Gearbox Assembly. (FAST)	146
KIT-02408	Hydraulic Pump & Gearbox Assembly. (SLOW)	148
KIT-02409	Hydraulic Pump & Gearbox Assembly. (MED-FAST)	150
KIT-02530	Hydraulic Hose Kit	152
KIT-02531	Hydraulic Hose Kit	154

Shelbourne Reynolds Engineering Limited

ASSY NUMBER:196517 02K				ASSY DESCRIPTION: ADAPTOR PLATE ASSY - DEUTZ FAHR			
ITEM	PART NUMBER	DESCRIPPTION	QTY	ITEM	PART NUMBER	DESCRIPTION	QTY
1	KIT-00602	ADAPTOR PLATE SUB	1				

Shelbourne Reynolds Engineering Limited

ASSY NUMBER:KIT-00602				ASSY DESCRIPTION: ADAPTOR PLATE DEUTZ-FAHR (FROM ASSY 196517 02)			
ITEM	PART NUMBER	DESCRIPPTION	QTY	ITEM	PART NUMBER	DESCRIPTION	QTY
1	191064 01	FRAME WELD ASSY	1				
2	NUT-0190	PLAIN NUT (M24)	6				
3	HSS-0315	SET SCREW (M16x35mm)	2				
4	WSH-0024	PLAIN WASHER (16mm)	2				
5	WSH-0070	SPRING WASHER (16mm)	2				
6							
7	191078 02	SCRAPER	2				
8	BLT-4710	COACH BOLT (M8x20mm)	6				
9	NUT-0263	NYLOC NUT (M8)	6				
10	WSH-0012	PLAIN WASHER (8mm)	6				
11	130174 01	CLAMP LH	1				
12	130174 02	CLAMP RH	1				
13	130176	SPRING ROD	2				
14	130158	SPRING	2				
15	PIN-1164	SPLIT PIN (4.5DIAx25)	2				
16	PIN-1167	SPLIT PIN (4.5DIAx40)	2				
17	WSH-0021	PLAIN WASHER (14mm)	2				
18	BLT-2206	BOLT (M10x80mm)	2				
19	NUT-0265	NYLOC NUT (M10)	2				
20	WSH-0015	PLAIN WASHER (10mm)	2				
21	NUT-0180	PLAIN NUT (M16)	2				
22	HSS-0316	BOLT (M16x40mm)	2				
28	POP-0006	POP RIVET (3/16"DIA.x1/2")	4				
29	134024 05	IDENTIFICATION PLATE	1				

Shelbourne Reynolds Engineering Limited

MULTI-PLATE MAINFRAME

2

1

29

28

3

5

4

7 8
9 10

ADAPTOR PLATE ASSEMBLY (D.F.)

18

11

12

22

21

LH

15

16

13

20

19

17

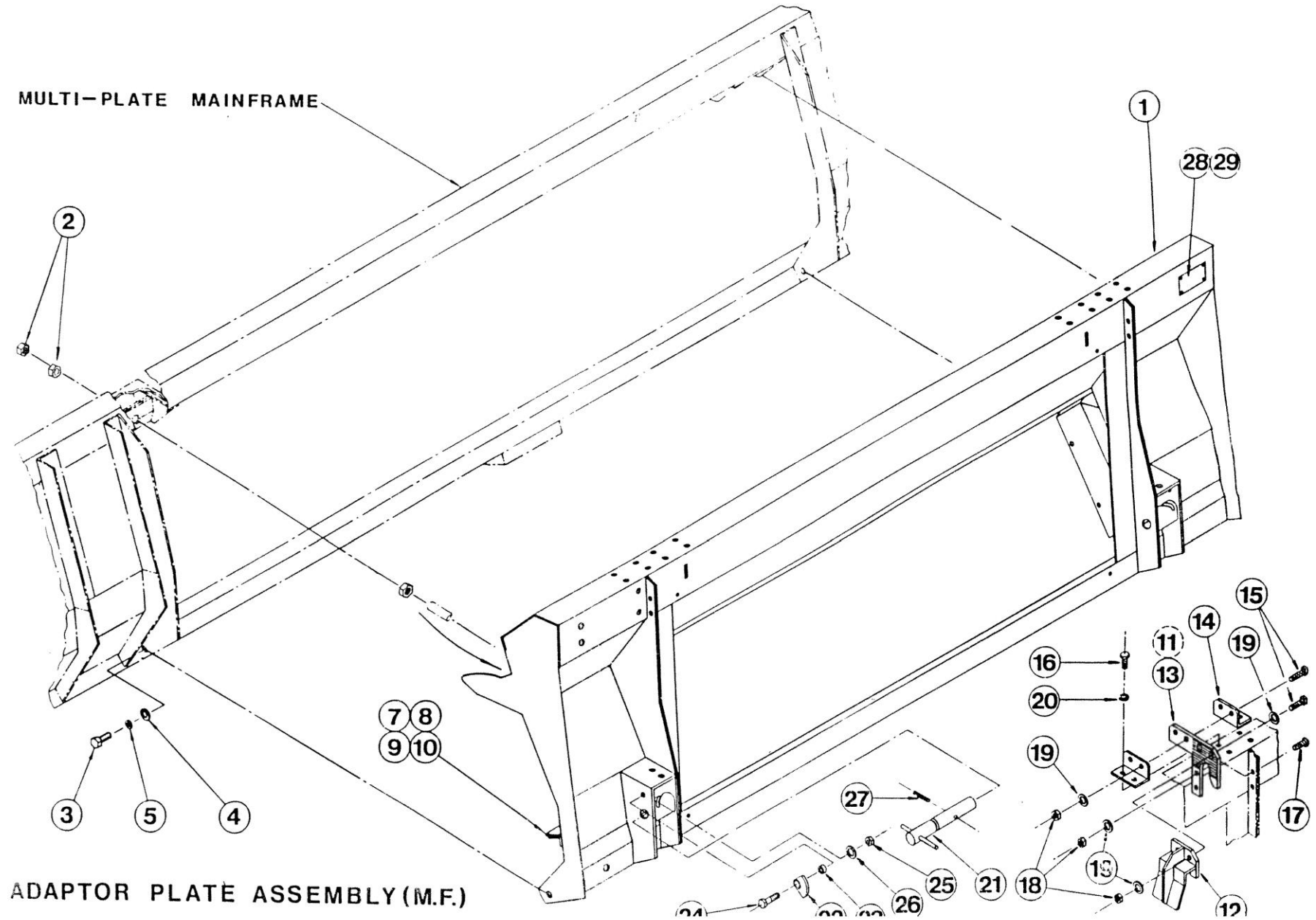
14

Shelbourne Reynolds Engineering Limited

ASSY NUMBER:196517 03K				ASSY DESCRIPTION: ADAPTOR PLATE ASSY - MF (DRON)			
ITEM	PART NUMBER	DESCRIPPTION	QTY	ITEM	PART NUMBER	DESCRIPTION	QTY
1	KIT-00603	ADAPTOR PLATE SUB	1				
2	KIT-00801	FIXING KIT	1				

Shelbourne Reynolds Engineering Limited

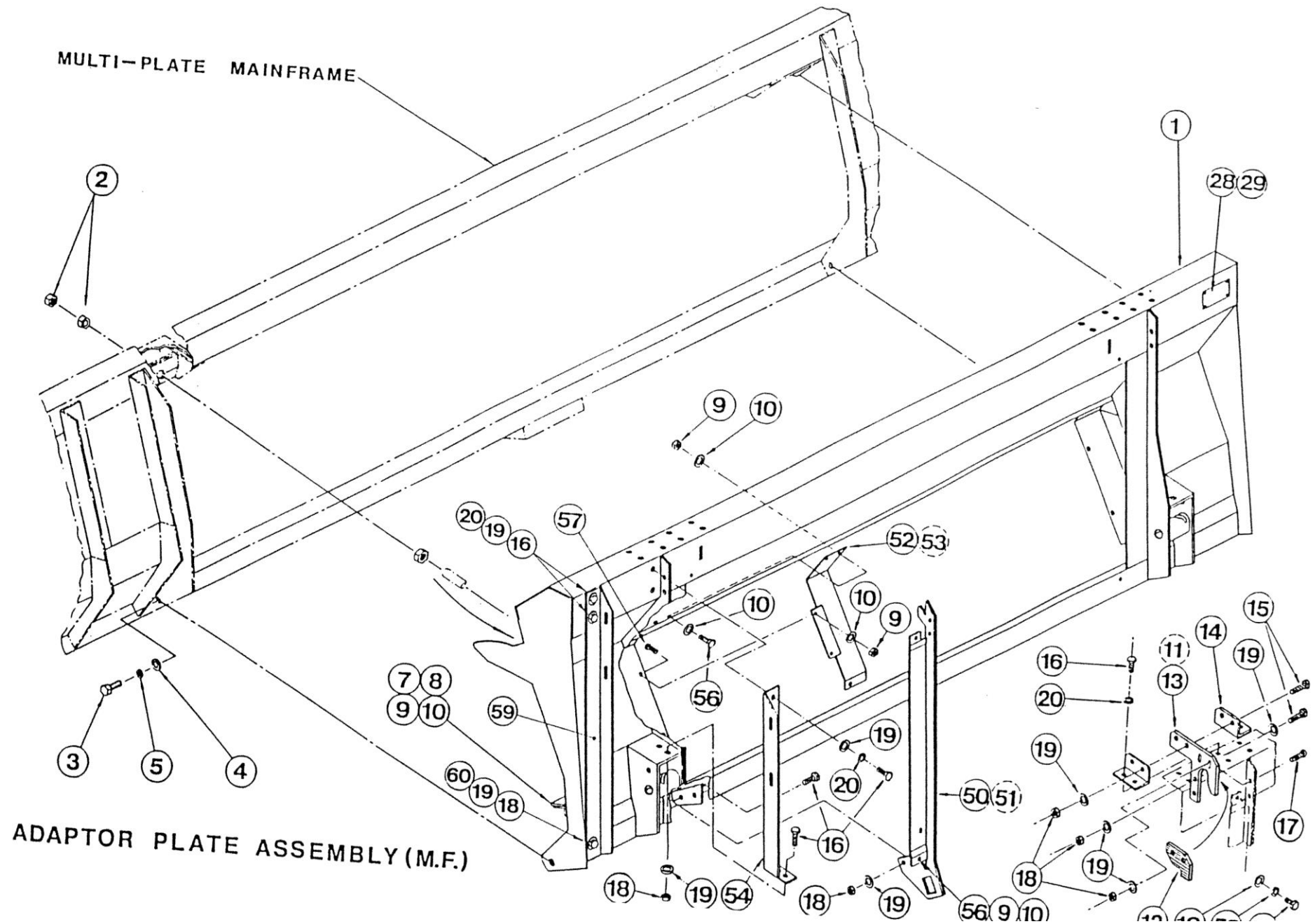
ASSY NUMBER:KIT-00603				ASSY DESCRIPTION: ADAPTOR PLATE - MF (DRON)			
ITEM	PART NUMBER	DESCRIPPTION	QTY	ITEM	PART NUMBER	DESCRIPTION	QTY
1	191090 01	FRAME WELD ASSY	1				
2	NUT-0190	PLAIN NUT (M24)	6				
3	HSS-0315	SET SCREW (M16x35mm)	2				
4	WSH-0024	PLAIN WASHER (16mm)	2				
5	WSH-0070	SPRING WASHER (16mm)	2				
6							
7	191160 02	SCRAPER	2				
8	BLT-4710	COACH BOLT (M8x20mm)	6				
9	NUT-0263	NYLOC NUT (M8)	6				
10	WSH-0012	PLAIN WASHER (8mm)	6				
28	POP-0006	POP RIVET	4				
29	134024 05	IDENTIFICATION PLATE	1				



Shelbourne Reynolds Engineering Limited

ASSY NUMBER:KIT-00801				ASSY DESCRIPTION: MF (DRON) FIXING KIT			
ITEM	PART NUMBER	DESCRIPPTION	QTY	ITEM	PART NUMBER	DESCRIPTION	QTY
9	NUT-0263	NYLOC NUT	12				
10	WSH-0012	PLAIN WASHER	20				
11	191467 02	PICK UP PLATE RH	1				
12	191640 01	ADJUSTER PLATE	1				
13	191467 01	PICK UP PLATE LH	1				
14	191460 01	FIXING ANGLE	4				
15	HSS-0255	SET SCREW	6				
16	HSS-0238	SET SCREW	18				
17	SCW-0518	BUTT.SKT.HD.SCREW	4				
18	NUT-0269	NYLOC NUT	17				
19	WSH-0018	PLAIN WASHER	23				
20	WSH-0065	SPRING WASHER	12				
50	191470 01	FILL IN SECTION LH	1				
51	191470 02	FILL IN SECTION RH	1				
52	191466 01	DEFLECTOR EXT ASSY LH	1				
53	191466 02	DEFLECTOR EXT ASSY RH	1				
54	191453 01	SUPPORT BACK ANGLE	1				
55	HSS-0145	SET SCREW	2				
56	HSS-0140	SET SCREW	6				
57	SCW-0525	BUTT.SKT.HD.SCREW	6				
58	WSH-0058	SPRING WASHER	2				
59	191104 01	SUPPORT BACK ANGLE	1				
60	HSS-0241	SET SCREW	1				

Shelbourne Reynolds Engineering Limited

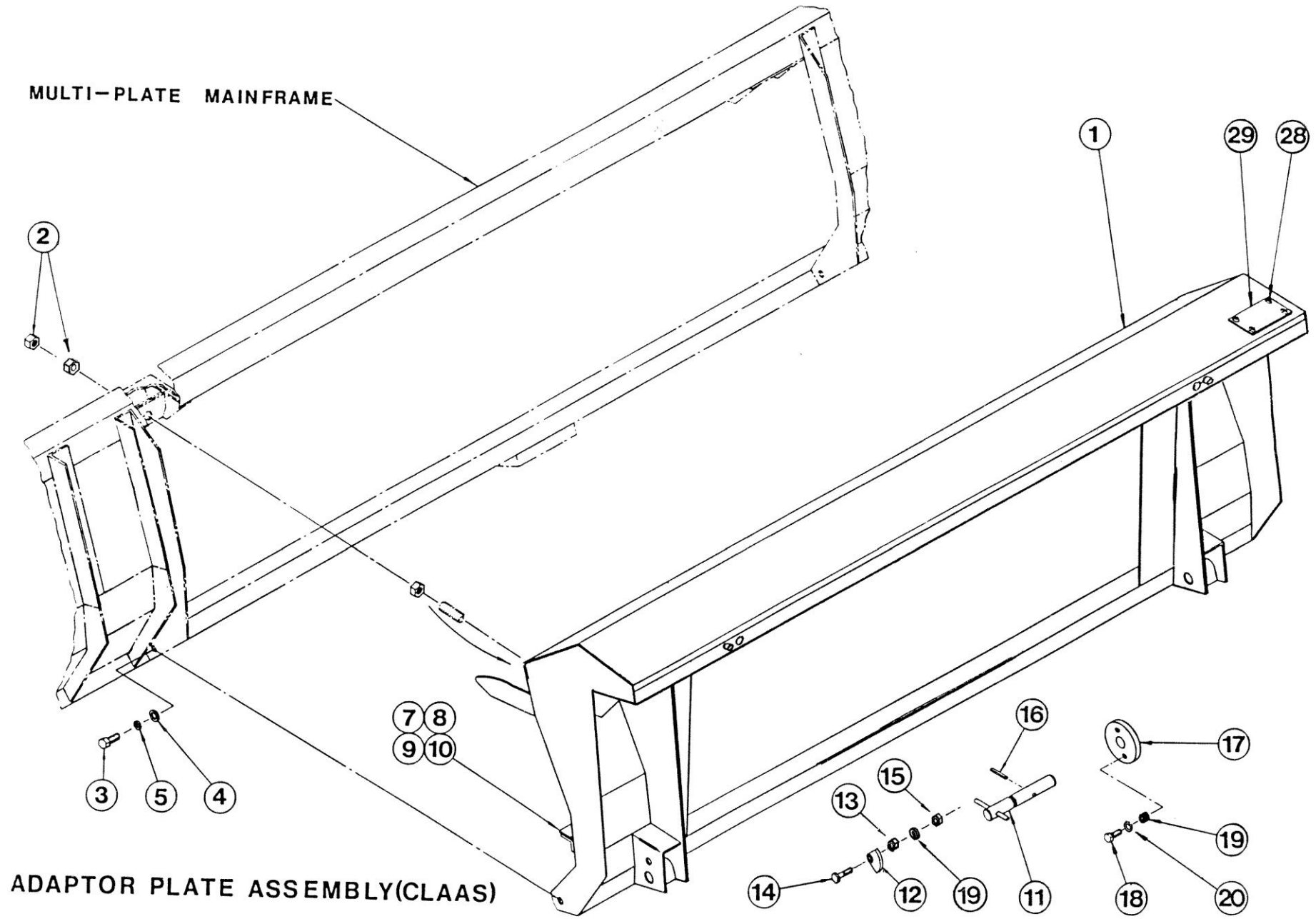


Shelbourne Reynolds Engineering Limited

ASSY NUMBER:196517 04K				ASSY DESCRIPTION: ADAPTOR PLATE ASSY - CLAAS (STD.ELEV.)			
ITEM	PART NUMBER	DESCRIPPTION	QTY	ITEM	PART NUMBER	DESCRIPTION	QTY
1	KIT-00604	ADAPTOR PLATE SUB	1				
2	KIT-00807	FIXING KIT	1				

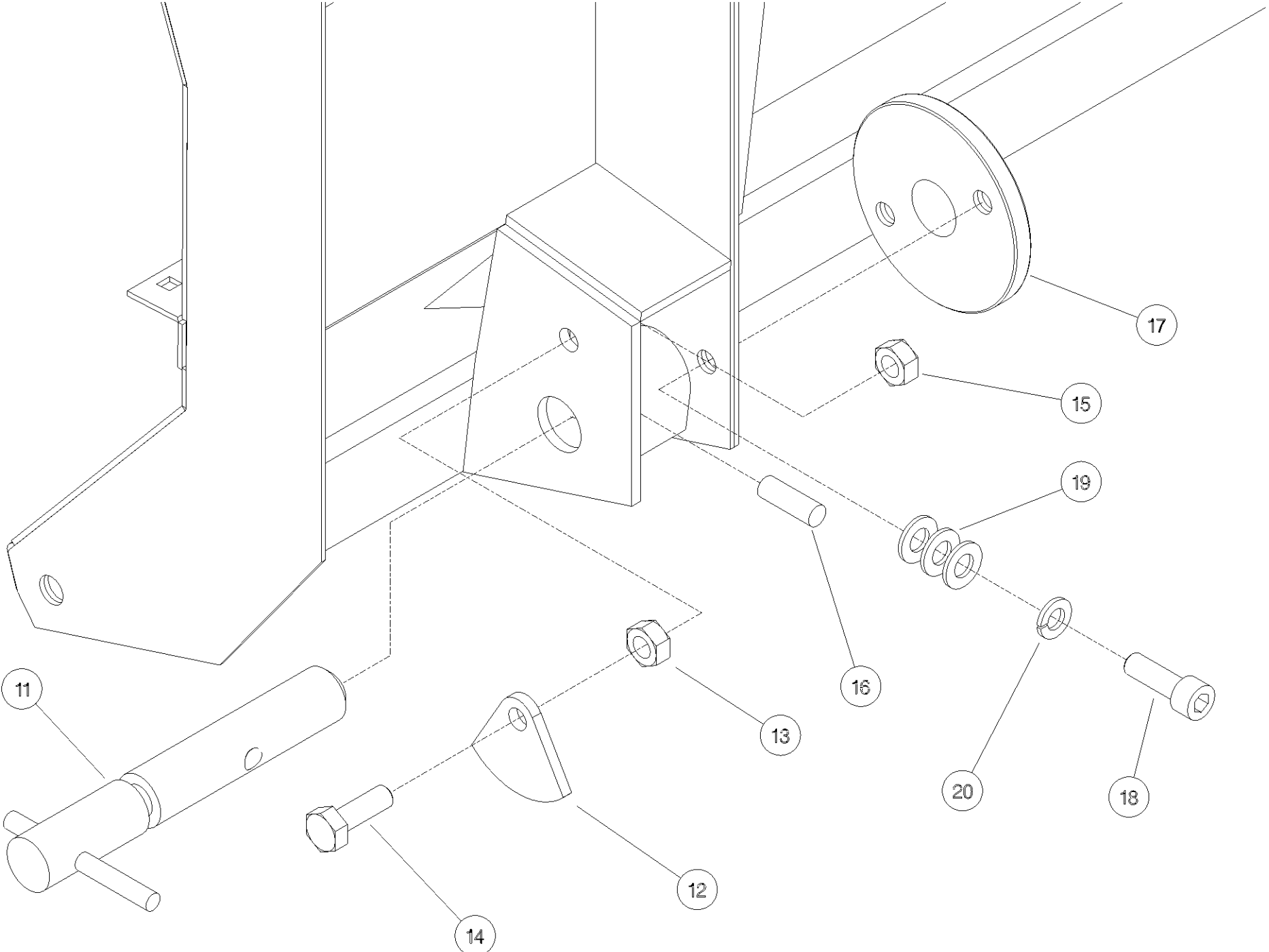
Shelbourne Reynolds Engineering Limited

ASSY NUMBER:KIT-00604				ASSY DESCRIPTION: ADAPTOR PLATE - CLAAS (FROM 196517 04)			
ITEM	PART NUMBER	DESCRIPPTION	QTY	ITEM	PART NUMBER	DESCRIPTION	QTY
1	191123 01	FRAME WELDED ASSY	1				
2	NUT-0190	NUT (M24)	6				
3	HSS-0315	SCREW (M16X35)	2				
4	WSH-0024	WASHER (M16)	2				
5	WSH-0070	SPRING WASHER (M16)	2				
6							
7	191134 02	SCRAPER	2				
8	BLT-4710	COACH BOLT (M8X20)	6				
9	NUT-0263	NYLOC NUT (M8)	6				
10	WSH-0012	FLAT WASHER (M8)	6				
11							
12							
13							
14							
15							
16							
17							
18							
19							
28	POP-0006	POP RIVET	4				
29	134024 05	IDENTIFICATION PLATE	1				



Shelbourne Reynolds Engineering Limited

ASSY NUMBER: KIT-00807				ASSY DESCRIPTION: FIXING KIT (CLAAS STD.ELEV.)			
ITEM	PART NO	DESCRIPTION	QTY	ITEM	PART NO	DESCRIPTION	QTY
1				42			
2				43			
3				44			
4				45			
5				47			
6				48			
7				49			
8				50			
9				51			
10				52			
11	130088 01	LOCKING HANDLE	2	53			
12	210125 01	LOCKING CAM	2	54			
13	NUT-0170	PLAIN NUT	2	55			
14	HSS-0250	SET SCREW	2	56			
15	NUT-0269	NYLOC NUT	2	57			
16	PIN-1935	ROLL PIN	2	58			
17	130112 01	GUIDE DISC	2	59			
18	SCW-0243	CAP HEAD SCREW	4	60			
19	WSH-0018	PLAIN WASHER	22	61			
20	WSH-0065	SPRING WASHER	4	62			
21				63			
22				64			
23				65			
24				66			
25				67			
26				68			
27				69			
29				70			
30				71			
31				72			
32				73			
33				74			
34				75			
35				76			
36				77			
37				78			
38				79			
39				80			
40				81			
41				82			

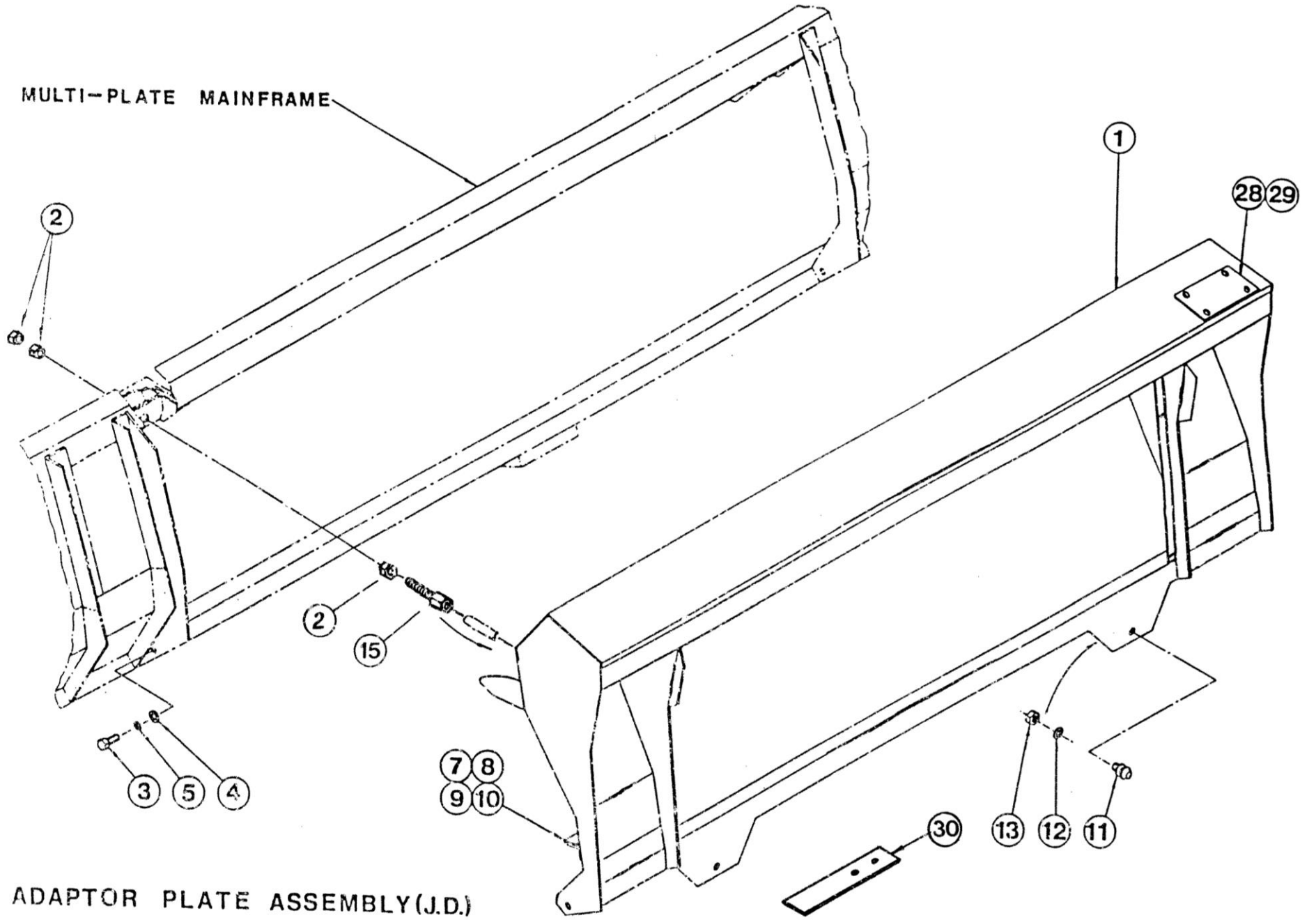


Shelbourne Reynolds Engineering Limited

ASSY NUMBER:196517 05K				ASSY DESCRIPTION: ADAPTOR PLATE ASSY - CLAAS (STD.ELEV.)			
ITEM	PART NUMBER	DESCRIPPTION	QTY	ITEM	PART NUMBER	DESCRIPTION	QTY
1	KIT-00605	ADAPTOR PLATE SUB	1				
2	KIT-00805	FIXING KIT	1				

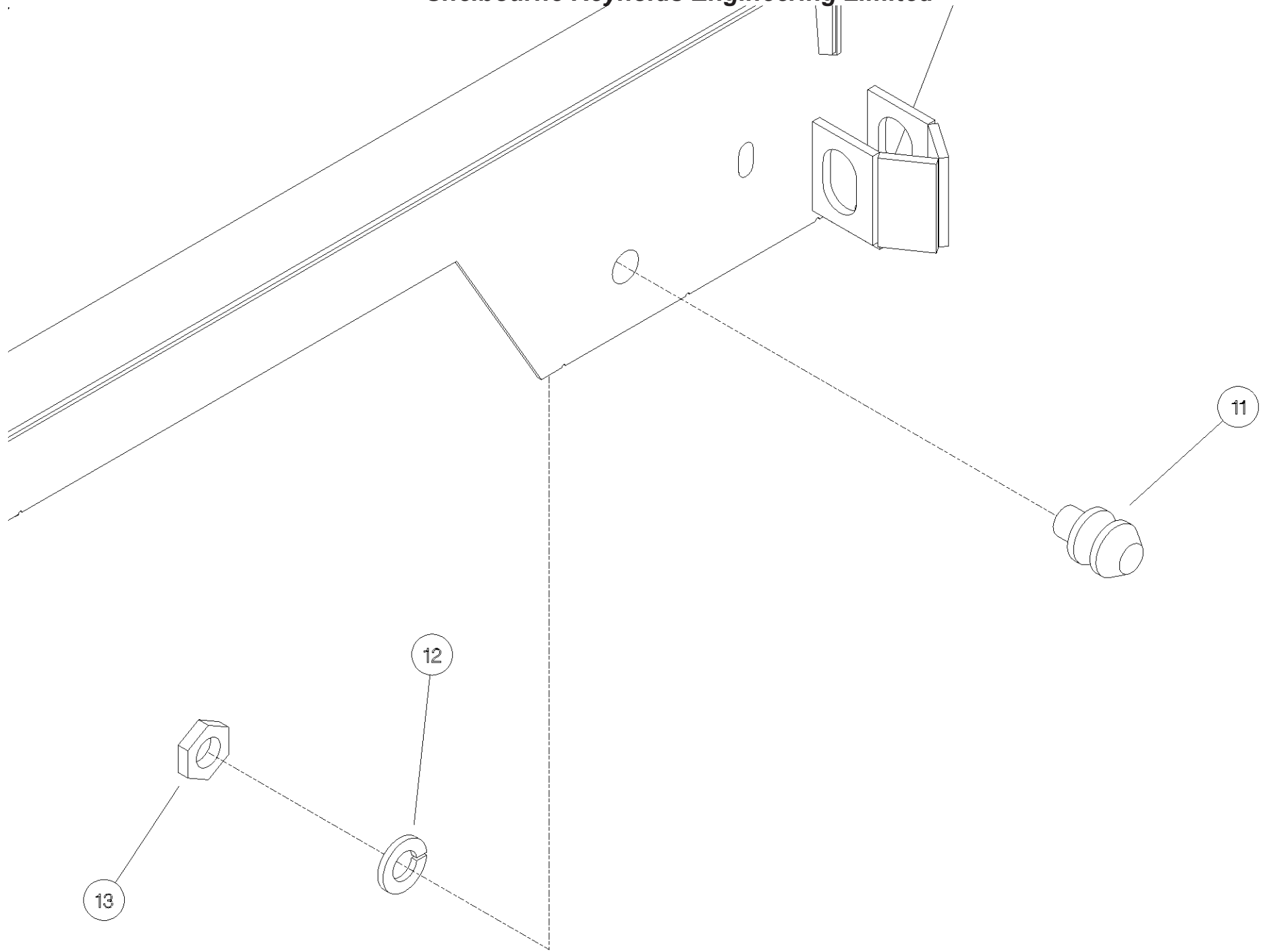
Shelbourne Reynolds Engineering Limited

ASSY NUMBER:KIT-00605				ASSY DESCRIPTION: ADAPTOR PLATE - JD (FROM 196517 05)			
ITEM	PART NUMBER	DESCRIPPTION	QTY	ITEM	PART NUMBER	DESCRIPTION	QTY
1	191216 01	FRAME WELD ASSY	1				
2	NUT-0190	PLAIN NUT (M24)	6				
3	HSS-0315	SET SCREW (M16x35)	2				
4	WSH-0024	PLAIN WASHER (16mm)	2				
5	WSH-0070	SPRING WASHER (16mm)	2				
6							
7	191223 02	SCRAPER	2				
8	BLT-4710	COACH BOLT (M8x20mm)	6				
9	NUT-0263	NYLOC NUT (M8)	6				
10	WSH-0012	PLAIN WASHER (8mm)	6				
11							
12							
13							
14							
15							
28	POP-0006	POP RIVET (3/16"DIAx1/2") (UPTO 2009)	4				
29	134024 05	IDENTIFICATION PLATE (UPTO 2009)	1				
30	197208 01	PACKER PLATE	2				
31	SCW-1580	SCREW (M6x20)	6				
32	WSH-0009	PLAIN WASHER (M6)	6				
33	NUT-0260	NYLOC NUT (M6)	6				



Shelbourne Reynolds Engineering Limited

ASSY NUMBER: KIT-00805				ASSY DESCRIPTION: BOTTOM PICK UP FIXING KIT JD (ERP)			
ITEM	PART NO	DESCRIPTION	QTY	ITEM	PART NO	DESCRIPTION	QTY
1			1				
2							
3							
4							
5							
6							
7							
8							
9							
10							
11	130130	PICK UP PIN	2				
12	WSH-0075	SPRING WASHER	2				
13	NUT-0385	HALF NUT	2				
14							
15							
16							
17							
18							
19							
20							
21							
22							
23							
24							
25							
26							
27							
29							
30							
31							
32							
33							
34							
35							
36							
37							
38							
39							
40							
41							

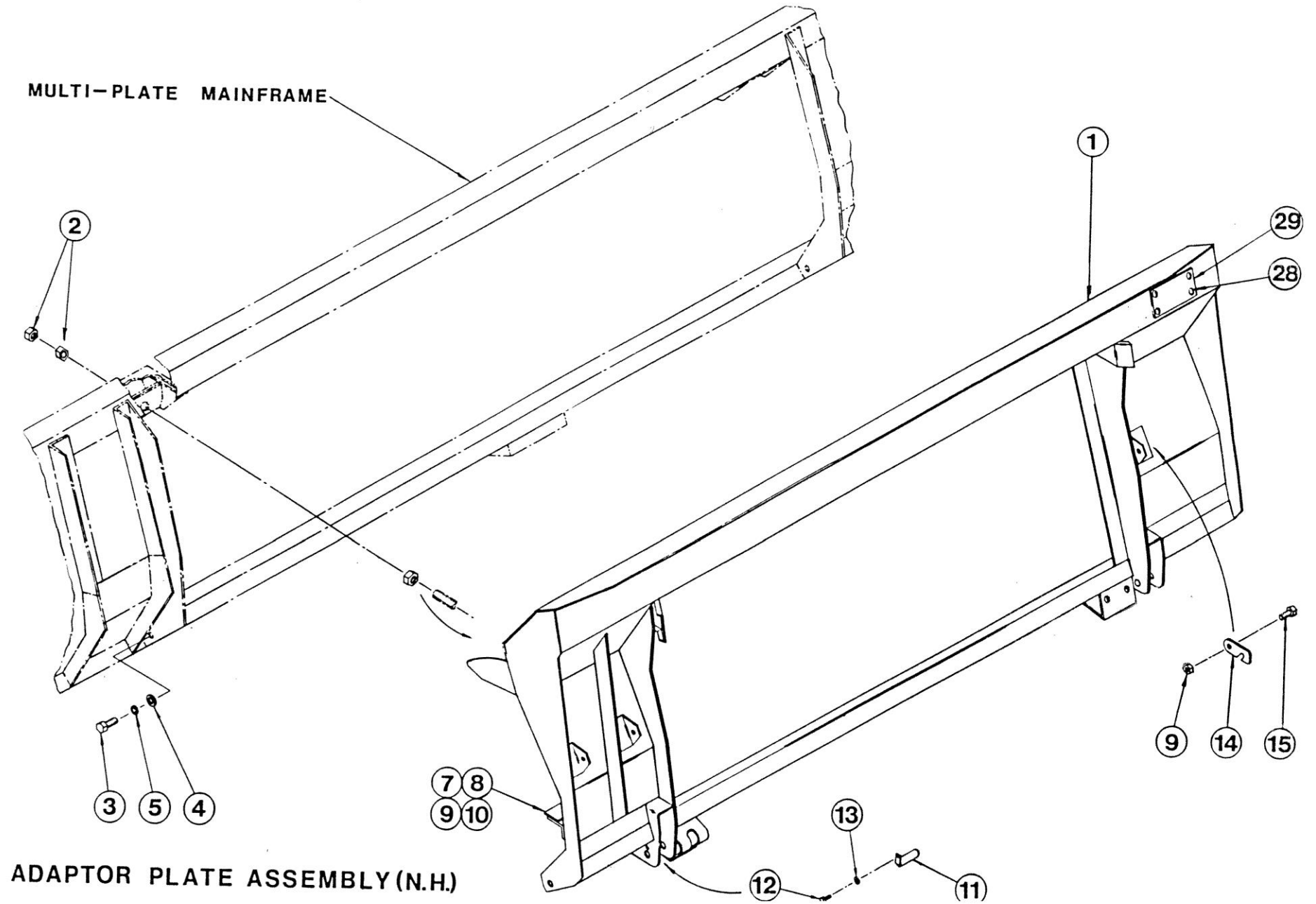


Shelbourne Reynolds Engineering Limited

ASSY NUMBER:196517 06K				ASSY DESCRIPTION: ADAPTOR PLATE ASSY - NEW HOLLAND			
ITEM	PART NUMBER	DESCRIPPTION	QTY	ITEM	PART NUMBER	DESCRIPTION	QTY
1	KIT-00606	ADAPTOR PLATE SUB	1				

Shelbourne Reynolds Engineering Limited

ASSY NUMBER:KIT-00606				ASSY DESCRIPTION: ADAPTOR PLATE - NH (FROM 196517 06)			
ITEM	PART NUMBER	DESCRIPPTION	QTY	ITEM	PART NUMBER	DESCRIPTION	QTY
1	191153 01	FRAME WELD ASSY	1				
2	NUT-0190	NUT (M24)	6				
3	HSS-0315	SCREW (M16X35)	2				
4	WSH-0024	WASHER (M16)	2				
5	WSH-0070	SPRING WASHER (M16)	2				
6							
7	191160 02	SCRAPER	2				
8	BLT-4710	COACH BOLT (M6X20)	6				
9	NUT-0263	NYLOC NUT (M8)	8				
10	WSH-0012	WASHER (M8)	10				
11	191172 01	PIN ASSY (PRE 2000)	2				
12	HSS-0082	SCREW (PRE 2000) (M6X12)	2				
13	WSH-0056	SPRING WASHER (PRE 2000) (M6)	2				
14	130111 01	RETAINING LUG	2				
15	HSS-0150	SCREW (M8X30)	2				
16							
17							
18							
19							
22	194312 01	TUBE (POST 2000)	2				
23	BLTA10620	BOLT (POST 2000) (M10X120)	2				
24	WSH-0015	WASHER (POST 2000) (M10)	4				
25	NUT-0265	NYLOC NUT (POST 2000) (M10)	2				
28	POP-0006	POP RIVET (UPTO 2009)	4				
29	134024 05	IDENTIFICATION PLATE (UPTO 2009)	1				

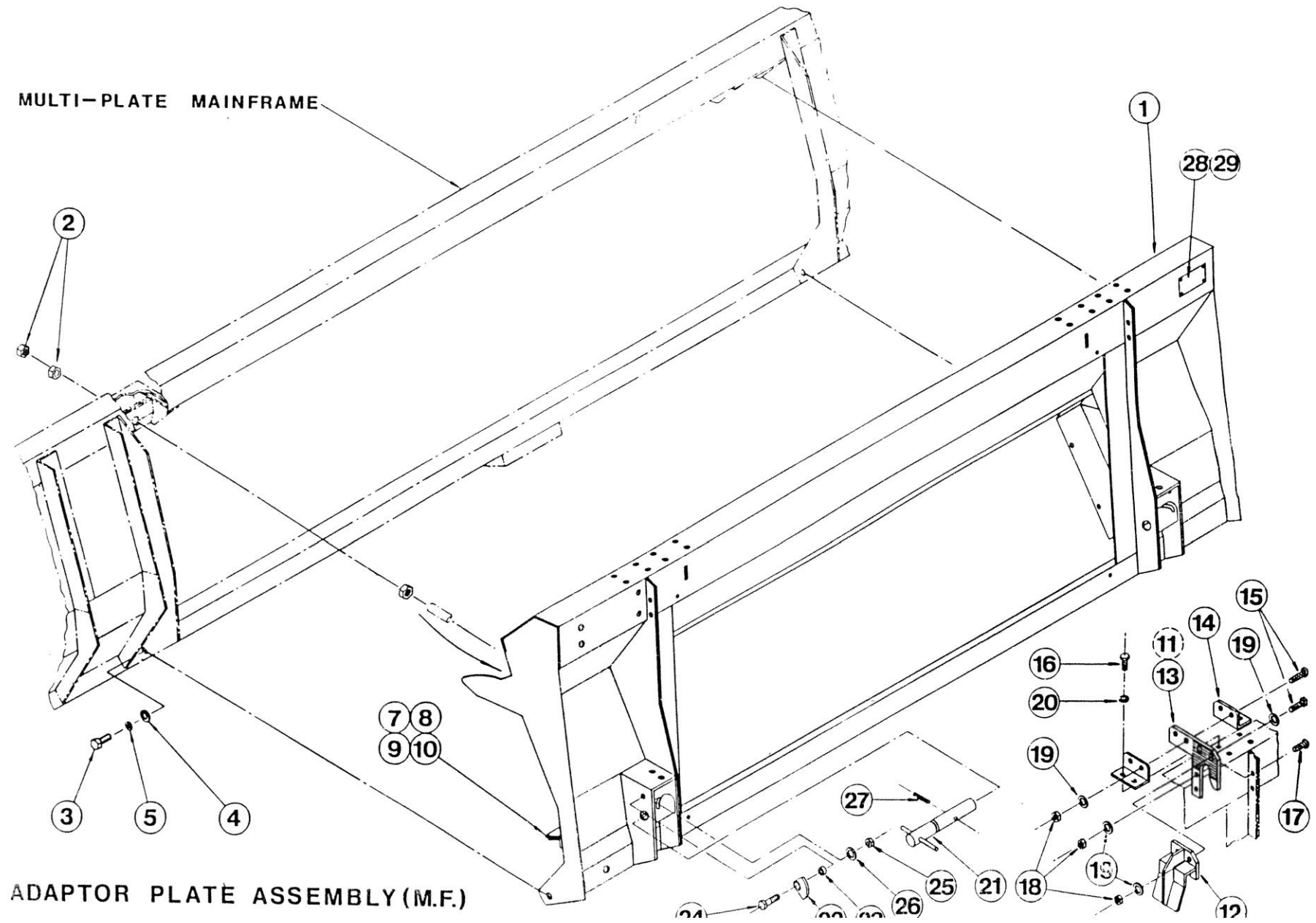


Shelbourne Reynolds Engineering Limited

ASSY NUMBER:196517 09K				ASSY DESCRIPTION: ADAPTOR PLATE ASSY - MF30-40 (DRON)			
ITEM	PART NUMBER	DESCRIPPTION	QTY	ITEM	PART NUMBER	DESCRIPTION	QTY
1	KIT-00603	ADAPTOR PLATE SUB	1				
2	KIT-00802	FIXING KIT	1				

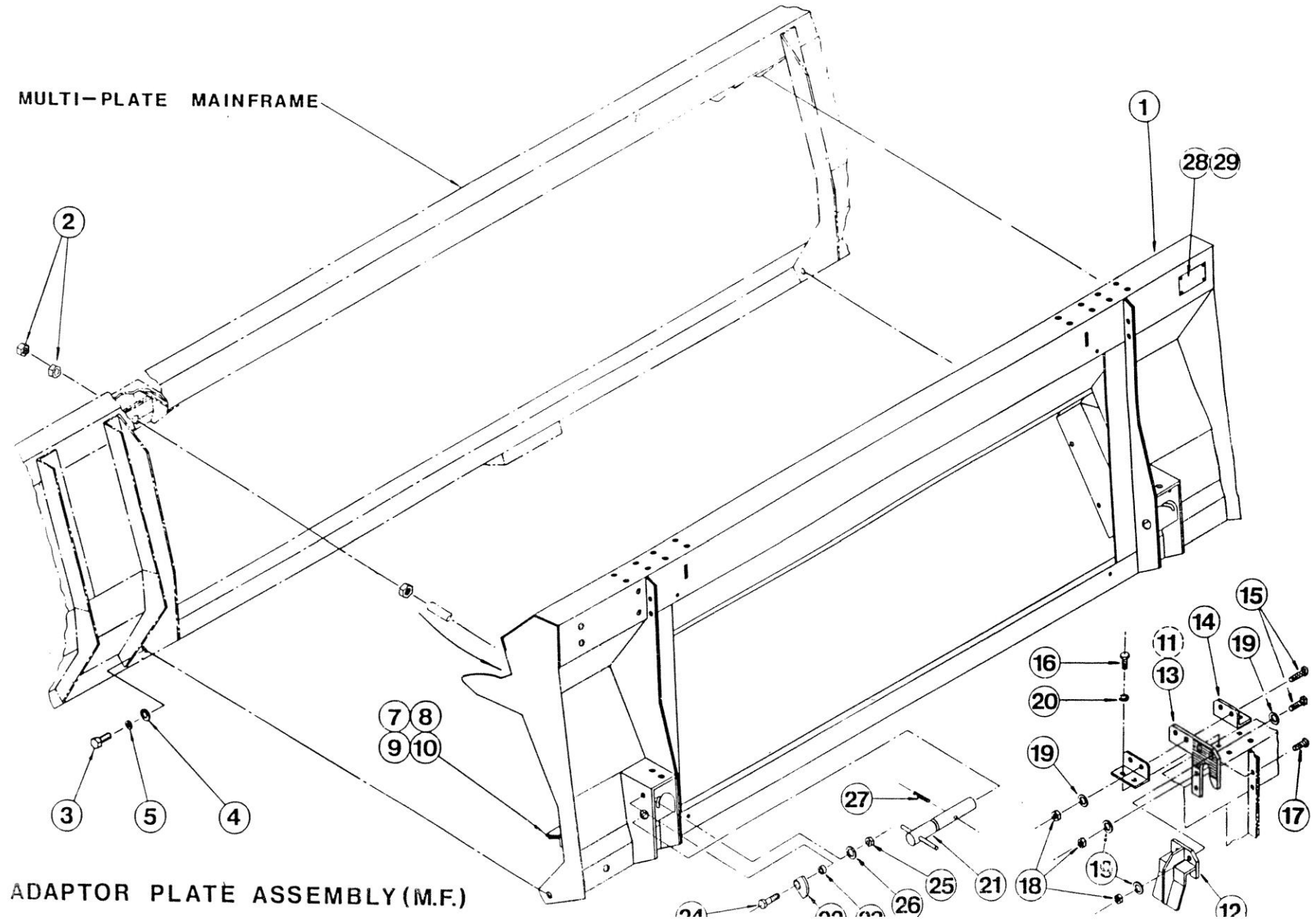
Shelbourne Reynolds Engineering Limited

ASSY NUMBER:KIT-00603				ASSY DESCRIPTION: ADAPTOR PLATE - MF (DRON)			
ITEM	PART NUMBER	DESCRIPPTION	QTY	ITEM	PART NUMBER	DESCRIPTION	QTY
1	191090 01	FRAME WELD ASSY	1				
2	NUT-0190	PLAIN NUT (M24)	6				
3	HSS-0315	SET SCREW (M16x35mm)	2				
4	WSH-0024	PLAIN WASHER (16mm)	2				
5	WSH-0070	SPRING WASHER (16mm)	2				
6							
7	191160 02	SCRAPER	2				
8	BLT-4710	COACH BOLT (M8x20mm)	6				
9	NUT-0263	NYLOC NUT (M8)	6				
10	WSH-0012	PLAIN WASHER (8mm)	6				
28	POP-0006	POP RIVET	4				
29	134024 05	IDENTIFICATION PLATE	1				



Shelbourne Reynolds Engineering Limited

ASSY NUMBER:KIT-00802				ASSY DESCRIPTION: MF30-40 (DRON) FIXING KIT FROM 196517 09			
ITEM	PART NUMBER	DESCRIPPTION	QTY	ITEM	PART NUMBER	DESCRIPTION	QTY
11	191461 01	PICK UP PLATE ASSY	1				
12	191462 01	ADJUSTER PLATE ASSY	1				
13	191457 01	PICK UP PLATE LH	1				
14	191460 01	FIXING ANGLE	4				
15	HSS-0255	BOLT	6				
16	HSS-0238	BOLT	8				
17	SCW-0518	BOLT	4				
18	NUT-0269	NUT	10				
19	WSH-0018	WASHER	12				
20	WSH-0065	WASHER	8				
21	130088 01	LOCKING PIN	2				
22	130087 01	LOCKING CAM	2				
23	BSH-0103	BUSH	6				
24	4006-01	PIN	2				
25	NUT-0218	NUT	2				
26	WSH-0132	WASHER	2				
27	PIN-1935	ROLL PIN	2				



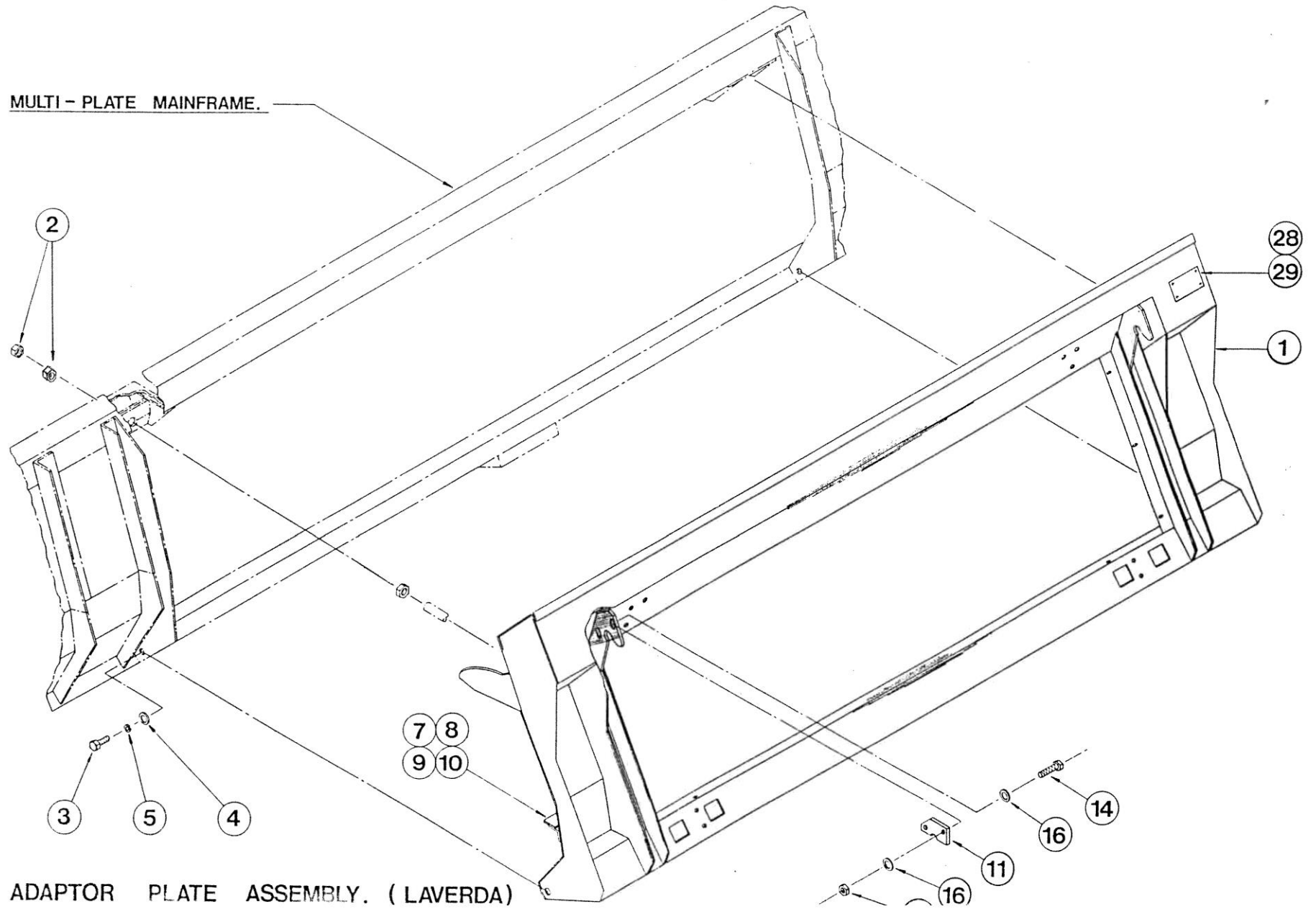
Shelbourne Reynolds Engineering Limited

ASSY NUMBER:196517 10K				ASSY DESCRIPTION: ADAPTOR PLATE ASSY - LAVERDA(35,36 & 3700			
ITEM	PART NUMBER	DESCRIPPTION	QTY	ITEM	PART NUMBER	DESCRIPTION	QTY
1	KIT-00609	ADAPTOR PLATE SUB	1				
2	KIT-00806	FIXING KIT	1				

Shelbourne Reynolds Engineering Limited

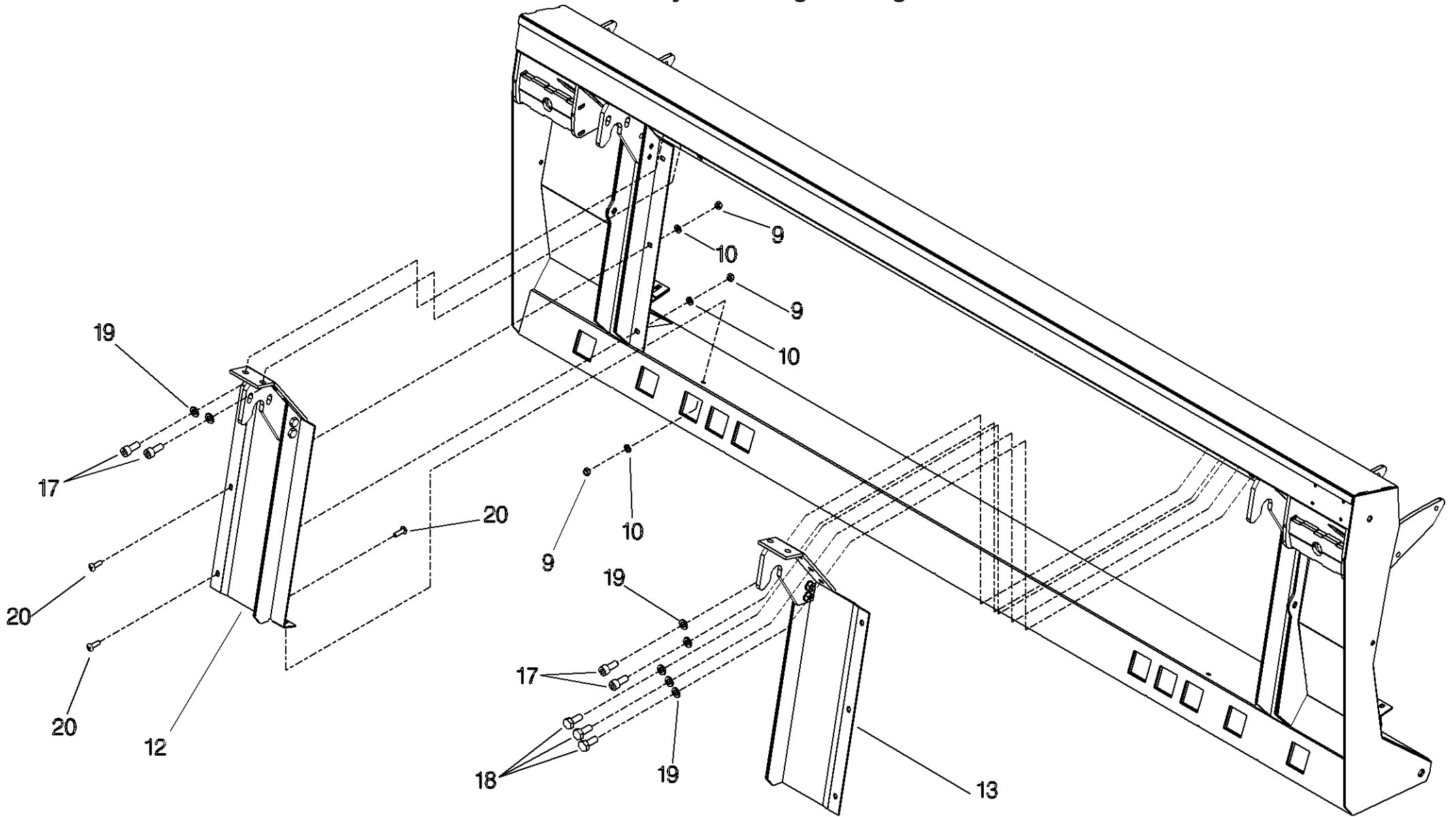
ASSY NUMBER:KIT-00609				ASSY DESCRIPTION: ADAPTOR PLATE - LAVERDA			
ITEM	PART NUMBER	DESCRIPPTION	QTY	ITEM	PART NUMBER	DESCRIPTION	QTY
1	191473 01	FRAME WELD ASSY	1				
2	NUT-0190	PLAIN NUT (M24)	6				
3	HSS-0315	SET SCREW (M16x35mm)	2				
4	WSH-0024	PLAIN WASHER (16mm)	2				
5	WSH-0070	SPRING WASHER (16mm)	2				
6							
7	191492 01	SCRAPER	2				
8	BLT-4710	COACH BOLT (M8x20mm)	4				
9	NUT-0263	NYLOC NUT (M8)	4				
10	WSH-0012	PLAIN WASHER (8mm)	4				
11	191491 01	ADJUSTER PLATE	1				
12							
13							
14	HSS-0250	SET SCREW (M12x40mm)	2				
15	NUT-0269	NYLOC NUT (M12)	2				
16	WSH-0018	PLAIN WASHER (12mm)	4				
28	POP-0006	POP RIVET (3/16"DIAx1/2)	4				
29	134024 05	IDENTIFICATION PLATE	1				

Shelbourne Reynolds Engineering Limited



Shelbourne Reynolds Engineering Limited

ASSY NUMBER: KIT-00806				ASSY DESCRIPTION: FIXING KIT (LAV 3500,3600,3700)			
ITEM	PART NO	DESCRIPTION	QTY	ITEM	PART NO	DESCRIPTION	QTY
1							
2							
3							
4							
5							
6							
7							
8							
9	NUT-0263	NYLOC NUT	8				
10	WSH-0012	PLAIN WASHER	8				
11							
12	191493 01	FILL IN PLATE ASSY LH	1				
13	191493 02	FILL IN PLATE ASSY RH	1				
14							
15							
16							
17	HSS-0238	SET SCREW	8				
18	SCW-0243	HT CAP HEAD SCREW	6				
19	WSH-0065	SPRING WASHER	14				
20	SCW-3735	SLOTTED PAN HD	8				



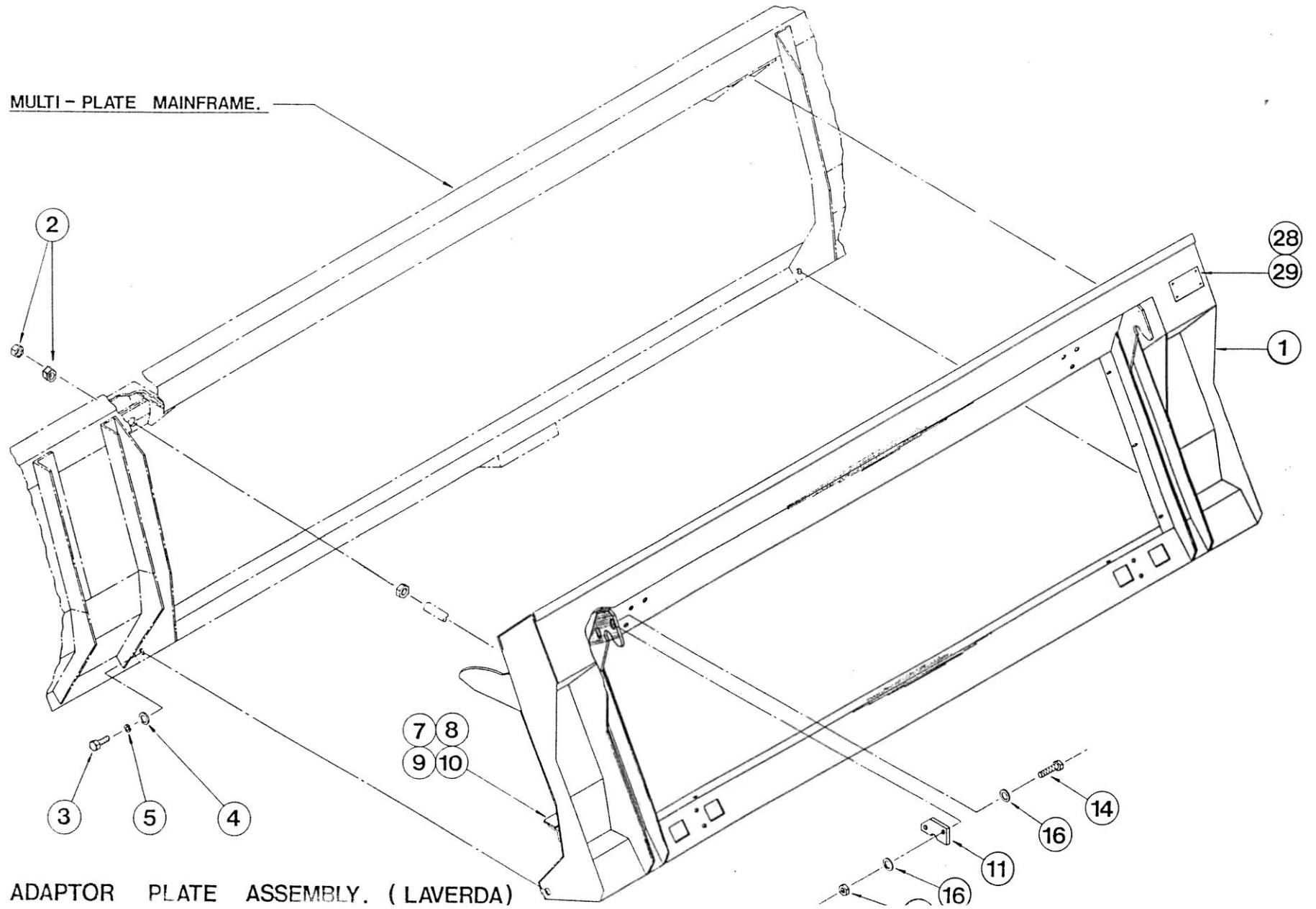
Shelbourne Reynolds Engineering Limited

ASSY NUMBER:196517 11K				ASSY DESCRIPTION: ADAPTOR PLATE ASSY - LAV(3800/3900)			
ITEM	PART NUMBER	DESCRIPPTION	QTY	ITEM	PART NUMBER	DESCRIPTION	QTY
1	KIT-00609	ADAPTOR PLATE SUB	1				

Shelbourne Reynolds Engineering Limited

ASSY NUMBER:KIT-00609				ASSY DESCRIPTION: ADAPTOR PLATE - LAVERDA			
ITEM	PART NUMBER	DESCRIPPTION	QTY	ITEM	PART NUMBER	DESCRIPTION	QTY
1	191473 01	FRAME WELD ASSY	1				
2	NUT-0190	PLAIN NUT (M24)	6				
3	HSS-0315	SET SCREW (M16x35mm)	2				
4	WSH-0024	PLAIN WASHER (16mm)	2				
5	WSH-0070	SPRING WASHER (16mm)	2				
6							
7	191492 01	SCRAPER	2				
8	BLT-4710	COACH BOLT (M8x20mm)	4				
9	NUT-0263	NYLOC NUT (M8)	4				
10	WSH-0012	PLAIN WASHER (8mm)	4				
11	191491 01	ADJUSTER PLATE	1				
12							
13							
14	HSS-0250	SET SCREW (M12x40mm)	2				
15	NUT-0269	NYLOC NUT (M12)	2				
16	WSH-0018	PLAIN WASHER (12mm)	4				
28	POP-0006	POP RIVET (3/16"DIAx1/2)	4				
29	134024 05	IDENTIFICATION PLATE	1				

Shelbourne Reynolds Engineering Limited

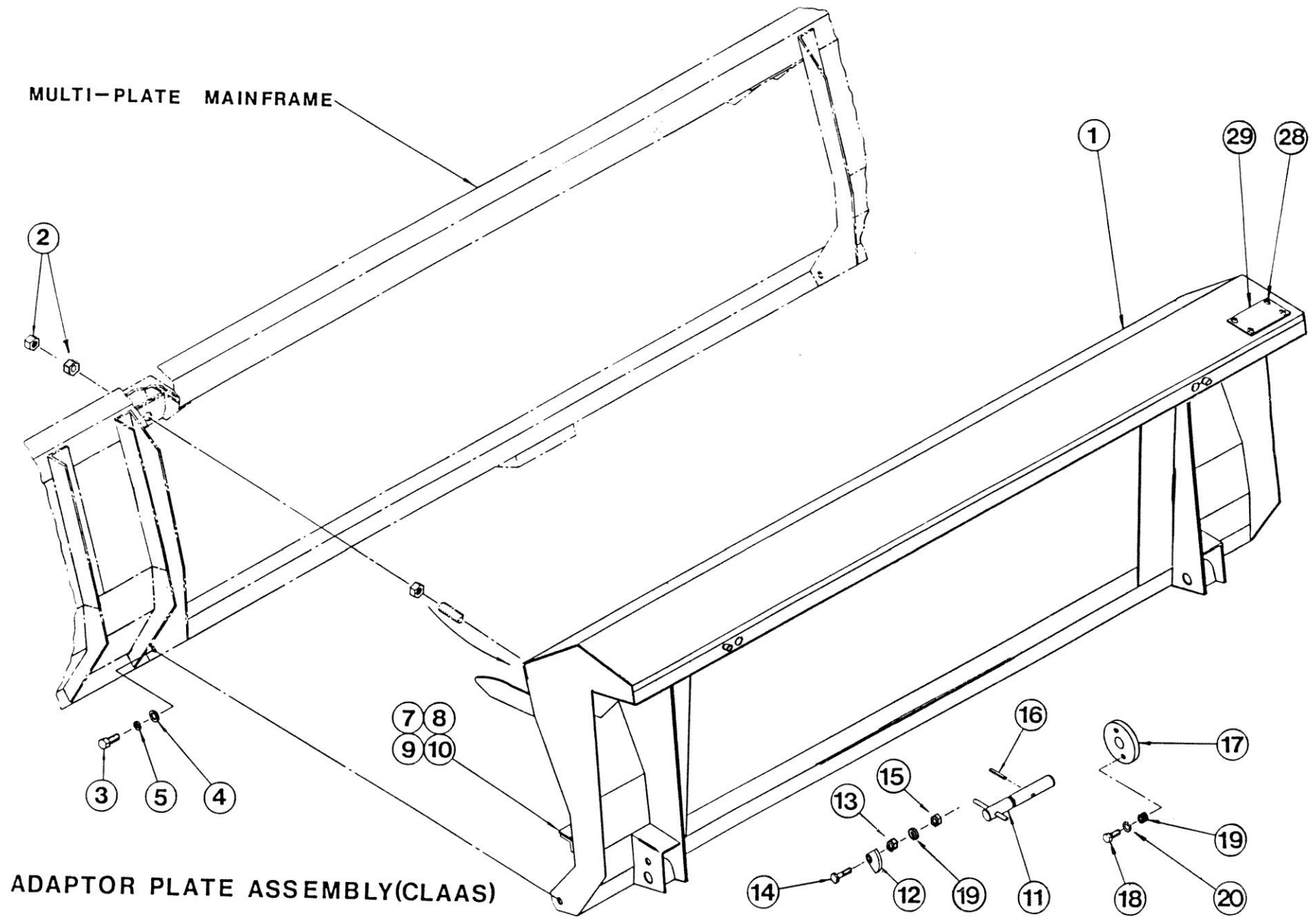


Shelbourne Reynolds Engineering Limited

ASSY NUMBER:196517 17K				ASSY DESCRIPTION: ADAPTOR PLATE ASSY - CLAAS (AUTO-CONT.)			
ITEM	PART NUMBER	DESCRIPPTION	QTY	ITEM	PART NUMBER	DESCRIPTION	QTY
1	KIT-00604	ADAPTOR PLATE SUB	1				
2	KIT-00808	FIXING KIT	1				

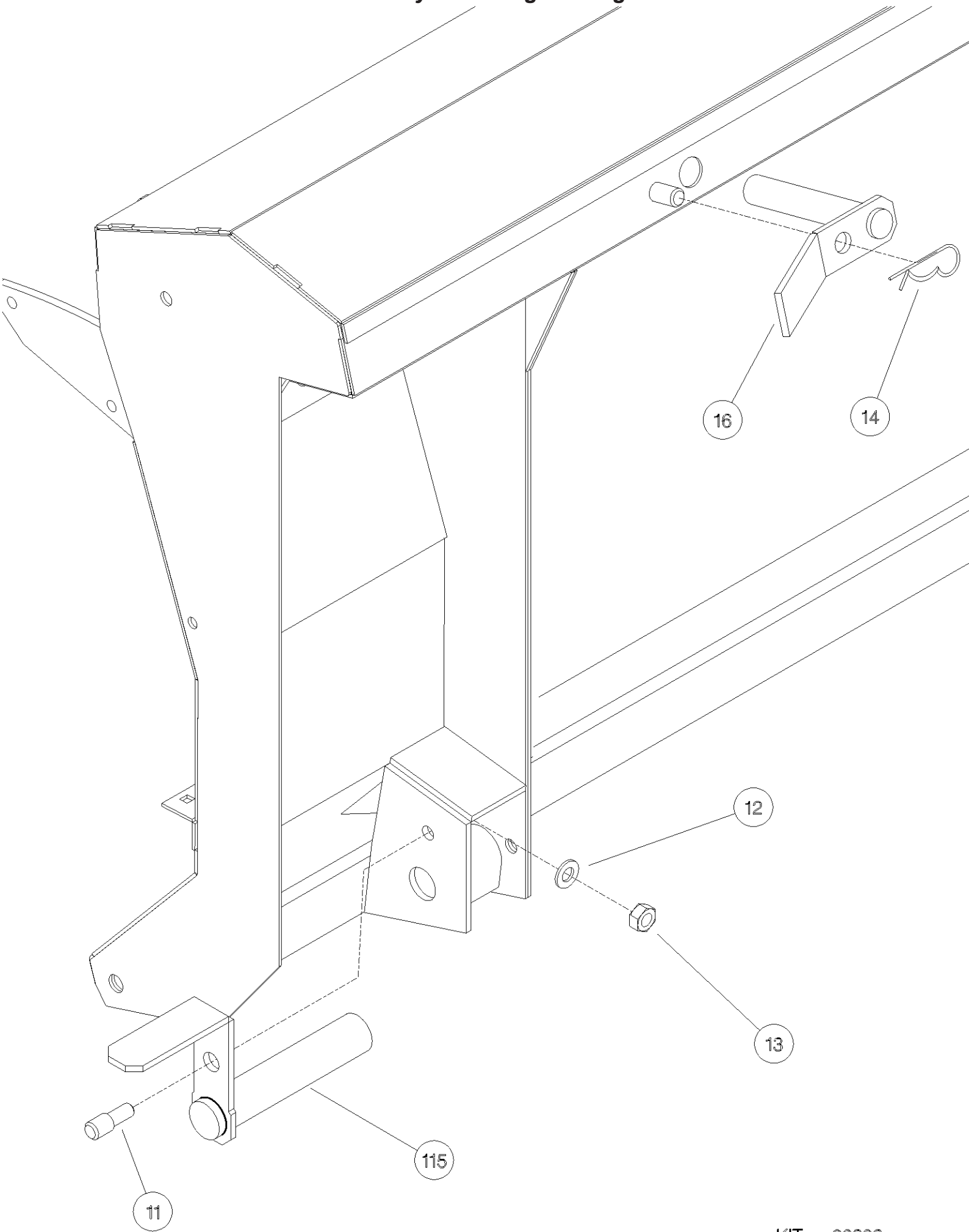
Shelbourne Reynolds Engineering Limited

ASSY NUMBER:KIT-00604				ASSY DESCRIPTION: ADAPTOR PLATE - CLAAS (FROM 196517 04)			
ITEM	PART NUMBER	DESCRIPPTION	QTY	ITEM	PART NUMBER	DESCRIPTION	QTY
1	191123 01	FRAME WELDED ASSY	1				
2	NUT-0190	NUT (M24)	6				
3	HSS-0315	SCREW (M16X35)	2				
4	WSH-0024	WASHER (M16)	2				
5	WSH-0070	SPRING WASHER (M16)	2				
6							
7	191134 02	SCRAPER	2				
8	BLT-4710	COACH BOLT (M8X20)	6				
9	NUT-0263	NYLOC NUT (M8)	6				
10	WSH-0012	FLAT WASHER (M8)	6				
11							
12							
13							
14							
15							
16							
17							
18							
19							
28	POP-0006	POP RIVET	4				
29	134024 05	IDENTIFICATION PLATE	1				



Shelbourne Reynolds Engineering Limited

ASSY NUMBER: KIT-00808				ASSY DESCRIPTION: ADAPT.PL.FIXING KIT			
ITEM	PART NO	DESCRIPTION	QTY	ITEM	PART NO	DESCRIPTION	QTY
1							
2							
3							
4							
5							
6							
7							
8							
9							
10							
11	192204 01	PIN	2				
12	WSH-0018	PLAIN WASHER	2				
13	NUT-0269	NUT	2				
14	CLP-00103	R CLIP	4				
15	192198 01	LOWER LOCKING PIN	2				
16	192201 01	TOP LOCKING PIN	2				
							2
							2
							2
							4
							2
							2

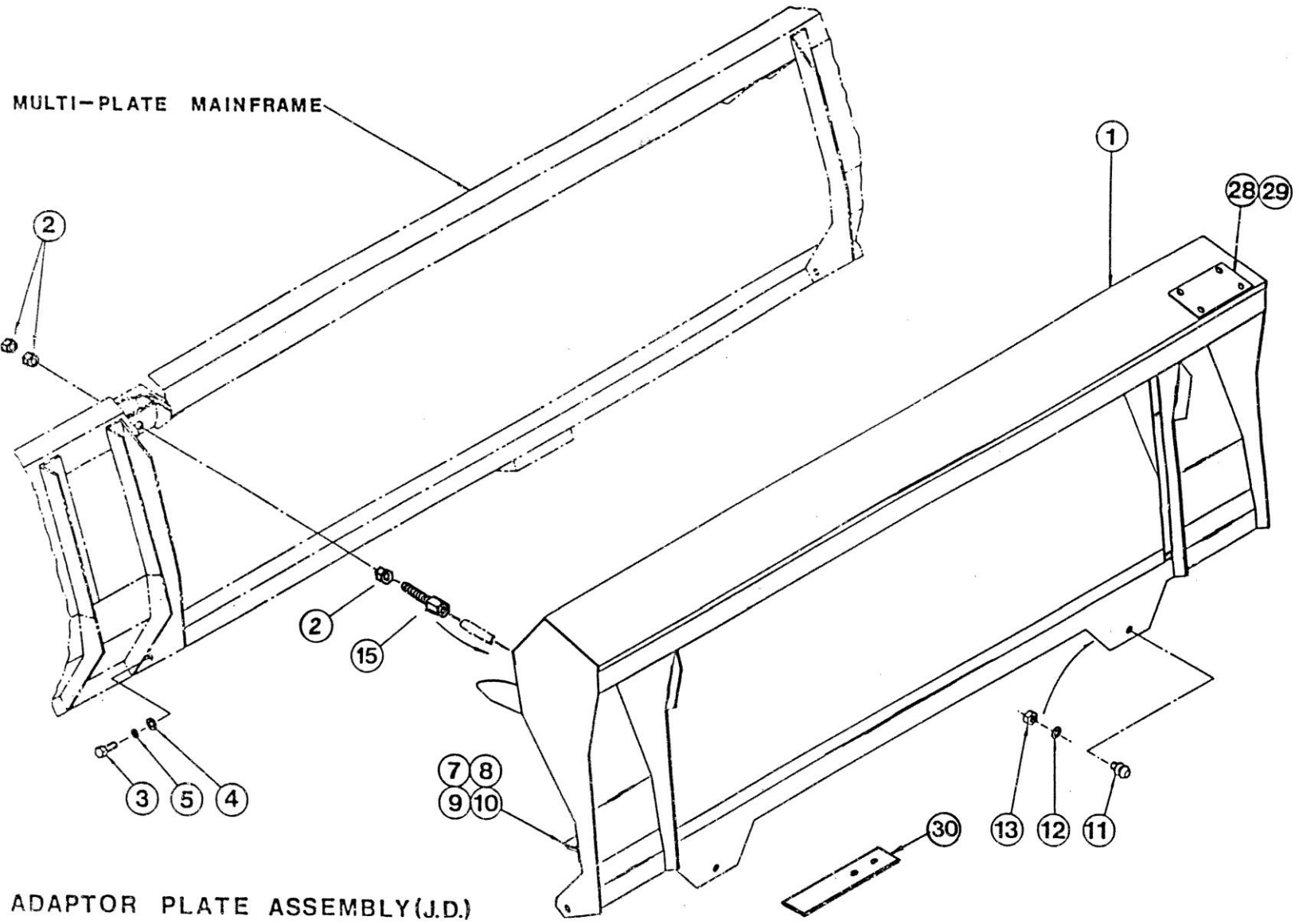


Shelbourne Reynolds Engineering Limited

ASSY NUMBER:196517 18K				ASSY DESCRIPTION: ADAPTOR PLATE ASSY - JD (Z SERIES)			
ITEM	PART NUMBER	DESCRIPPTION	QTY	ITEM	PART NUMBER	DESCRIPTION	QTY
1	KIT-00612	ADAPTOR PLATE SUB	1				

Shelbourne Reynolds Engineering Limited

ASSY NUMBER:KIT-00612				ASSY DESCRIPTION: ADAPTOR PLATE-JD-Z SERIES (FROM 196517 18K)			
ITEM	PART NUMBER	DESCRIPPTION	QTY	ITEM	PART NUMBER	DESCRIPTION	QTY
1	191216 01	FRAME WELD ASSY	1				
2	NUT-0190	PLAIN NUT (M24)	6				
3	HSS-0315	SET SCREW (M16x35)	2				
4	WSH-0024	PLAIN WASHER (M16)	2				
5	WSH-0070	SPRING WASHER (M16)	2				
6							
7	191223 02	SCRAPER	2				
8	BLT-4710	COACH BOLT (M8x20)	6				
9	NUT-0263	NYLOC NUT (M8)	6				
10	WSH-0012	PLAIN WASHER (8mm)	6				
11							
12							
13							
14							
15	192925 01	EXTENSION BOLT WELD	2				
28	POP-0006	ASSYPOP RIVET (3/16"x1/2") (UPTO 2009)	4				
29	134024 05	IDENTIFICATION PLATE (UPTO 2009)	1				
30	197208 01	PACKER PLATE	6				
31	SCW-1580	SCREW (M6x20)	6				
32	WSH-0009	PLAIN WASHER (M6)	6				
33	NUT-0260	NYLOC NUT (M6)	6				



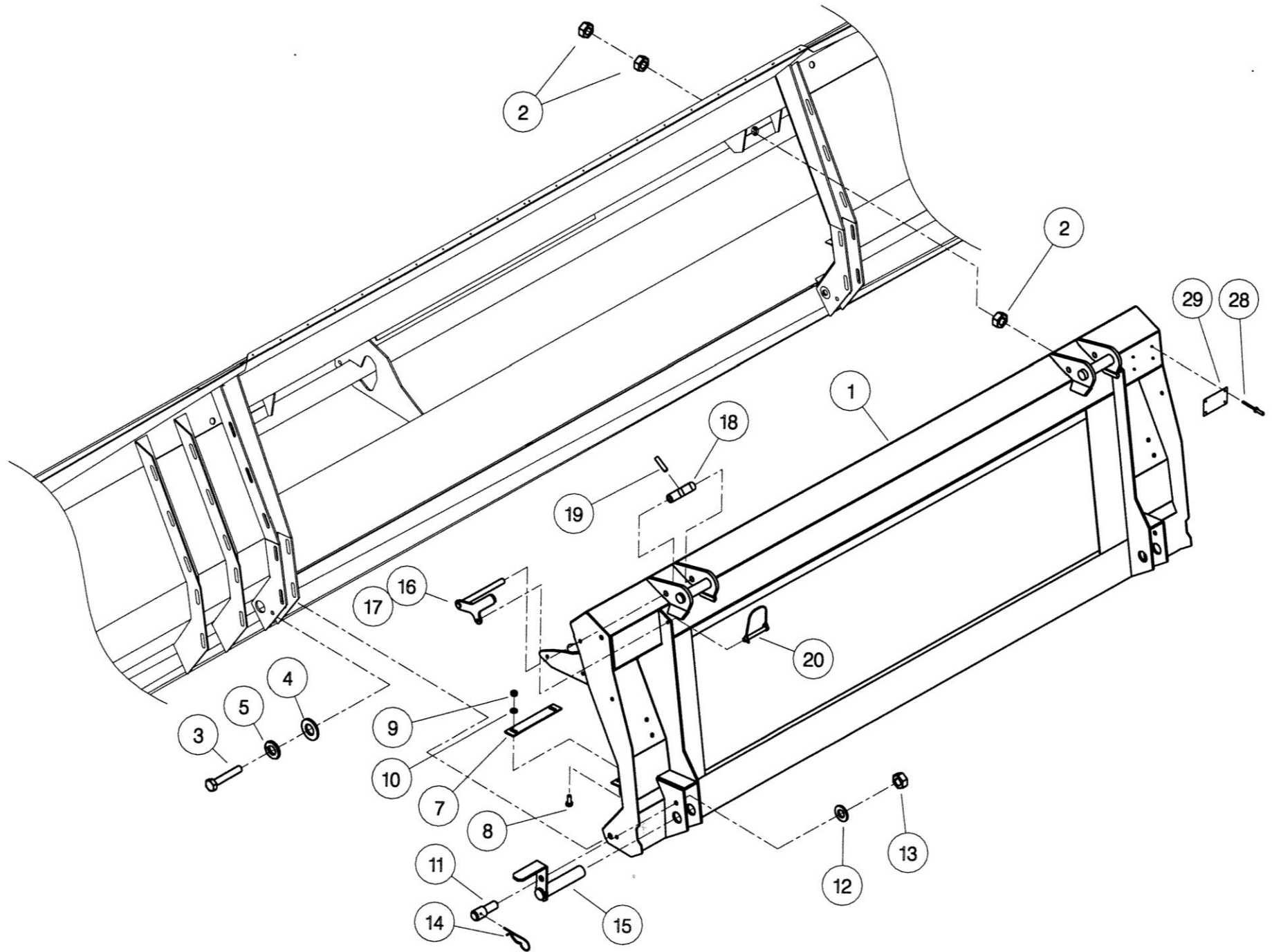
Shelbourne Reynolds Engineering Limited

ASSY NUMBER:196517 19K				ASSY DESCRIPTION: ADAPTOR PLATE ASSY - CLAAS (LEXION)			
ITEM	PART NUMBER	DESCRIPPTION	QTY	ITEM	PART NUMBER	DESCRIPTION	QTY
1	KIT-00613	ADAPTOR PLATE SUB	1				

Shelbourne Reynolds Engineering Limited

ASSY NUMBER:KIT-00613				ASSY DESCRIPTION: ADAPTOR PLATE CLAAS (LEXION)			
ITEM	PART NUMBER	DESCRIPPTION	QTY	ITEM	PART NUMBER	DESCRIPTION	QTY
1	193151 01	FRAME WELD ASSY	1				
2	NUT-0190	PLAIN NUT (M24)	6				
3	HSS-0315	SET SCREW (M16x35)	2				
4	WSH-0024	PLAIN WASHER (M16)	2				
5	WSH-0070	SPRING WASHER (M16)	2				
6							
7	193152 02	SCRAPER	2				
8	BLT-4710	COACH BOLT (M8x20)	4				
9	NUT-0263	NYLOC NUT (M8)	4				
10	WSH-0012	PLAIN WASHER (8mm)	4				
11	192204 01	PIN	2				
12	WSH-0018	PLAIN WASHER (12mm)	2				
13	NUT-0269	NYLOC NUT (M12)	2				
14	RCL-0015	R CLIP (1/8" DIA.WIRE)	2				
15	192198 04	LOWER LOCKING PIN	2				
16	193153 01	TOP LOCKING LEVER LH	1				
17	193153 02	TOP LOCKING LEVER RH	1				
18	193154 01	TOP LOCK	2				
19	PIN-1921	ROLL PIN (DIA.6mm x25mm)	2				
20	PIN-1720	SPRING "D" PIN	2				
21							
22							
23							
24							
25							
26							
27							
28	POP-0006	POP RIVET (3/16"x1/2") (UPTO 2009)	4				
29	134024 05	IDENTIFICATION PLATE (UPTO 2009)	1				

Shelbourne Reynolds Engineering Limited



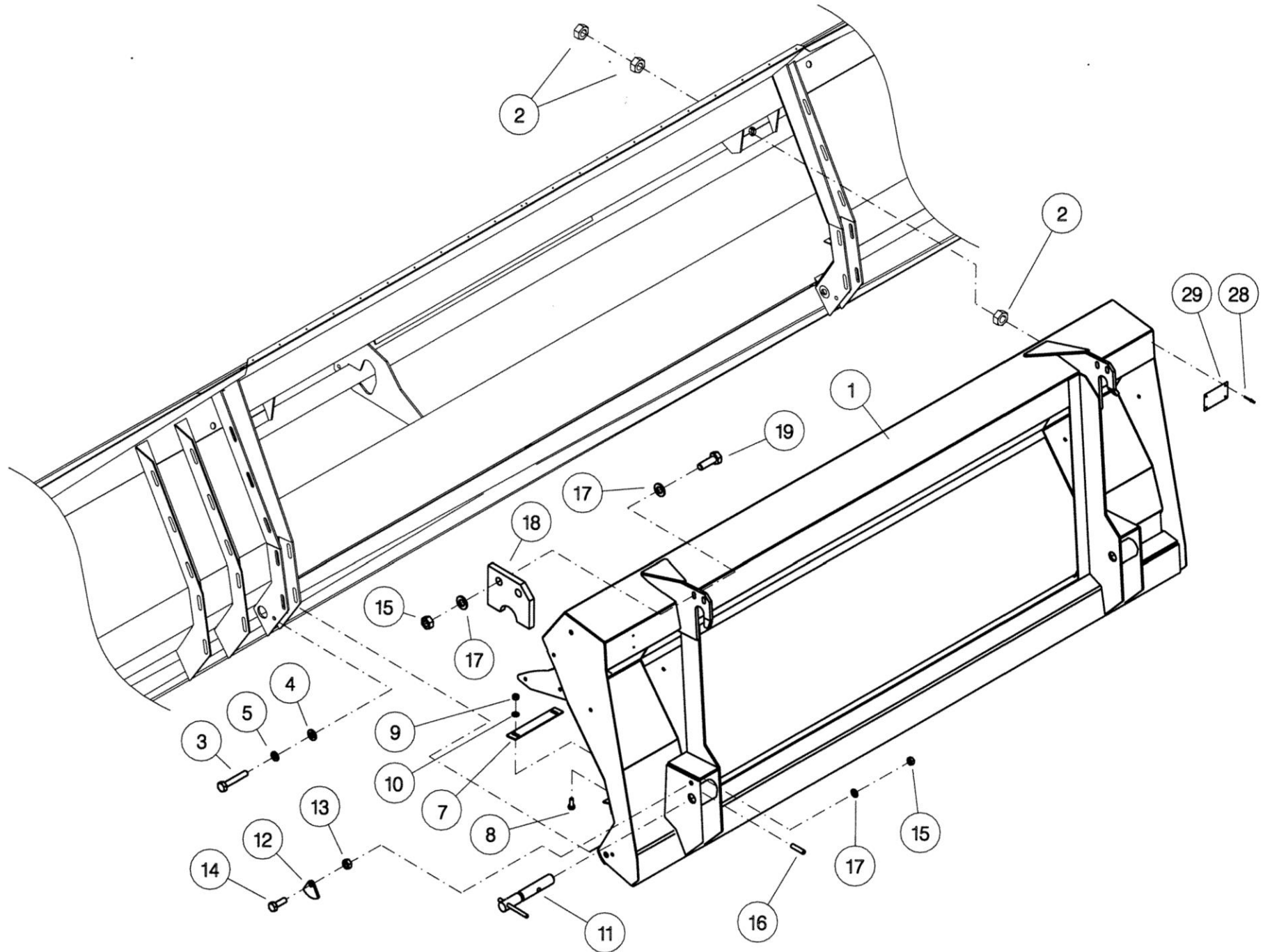
Shelbourne Reynolds Engineering Limited

ASSY NUMBER:196517 20K				ASSY DESCRIPTION: ADAPTOR PLATE ASSY - MF30-40 (AUTO,1996)			
ITEM	PART NUMBER	DESCRIPPTION	QTY	ITEM	PART NUMBER	DESCRIPTION	QTY
1	KIT-00614	ADAPTOR PLATE SUB	1				

Shelbourne Reynolds Engineering Limited

ASSY NUMBER:KIT-00614				ASSY DESCRIPTION: ADAPTOR PLATE MF30-40 (AUTO,1996)			
ITEM	PART NUMBER	DESCRIPPTION	QTY	ITEM	PART NUMBER	DESCRIPTION	QTY
1	193174 01	FRAME WELD ASSY	1				
2	NUT-0190	PLAIN NUT (M24)	6				
3	HSS-0315	SET SCREW (M16x35)	2				
4	WSH-0024	PLAIN WASHER (M16)	2				
5	WSH-0070	SPRING WASHER (M16)	2				
6							
7	193185 02	SCRAPER	2				
8	BLT-4710	COACH BOLT (M8x20)	6				
9	NUT-0263	NYLOC NUT (M8)	6				
10	WSH-0012	PLAIN WASHER (8mm)	6				
11	130088 01	LOCKING HANDLE	2				
12	210125 01	LOCKING CAM	2				
13	NUT-0170	PLAIN NUT (M12)	2				
14	HSS-0250	SET SCREW (M12x40mm)	2				
15	NUT-0269	NYLOC NUT (M12)	4				
16	PIN-1935	ROLL PIN (DIA.12 x 50mm)	2				
17	WSH-0018	PLAIN WASHER (12mm)	6				
18	191459 01	ADJUSTER PLATE	1				
19	BLTA12290	BOLT (M12x45)	2				
20							
21							
22							
23							
24							
25							
26							
27							
28	POP-0006	POP RIVET (3/16"x1/2")	4				
29	134024 05	IDENTIFICATION PLATE	1				

Shelbourne Reynolds Engineering Limited



Shelbourne Reynolds Engineering Limited

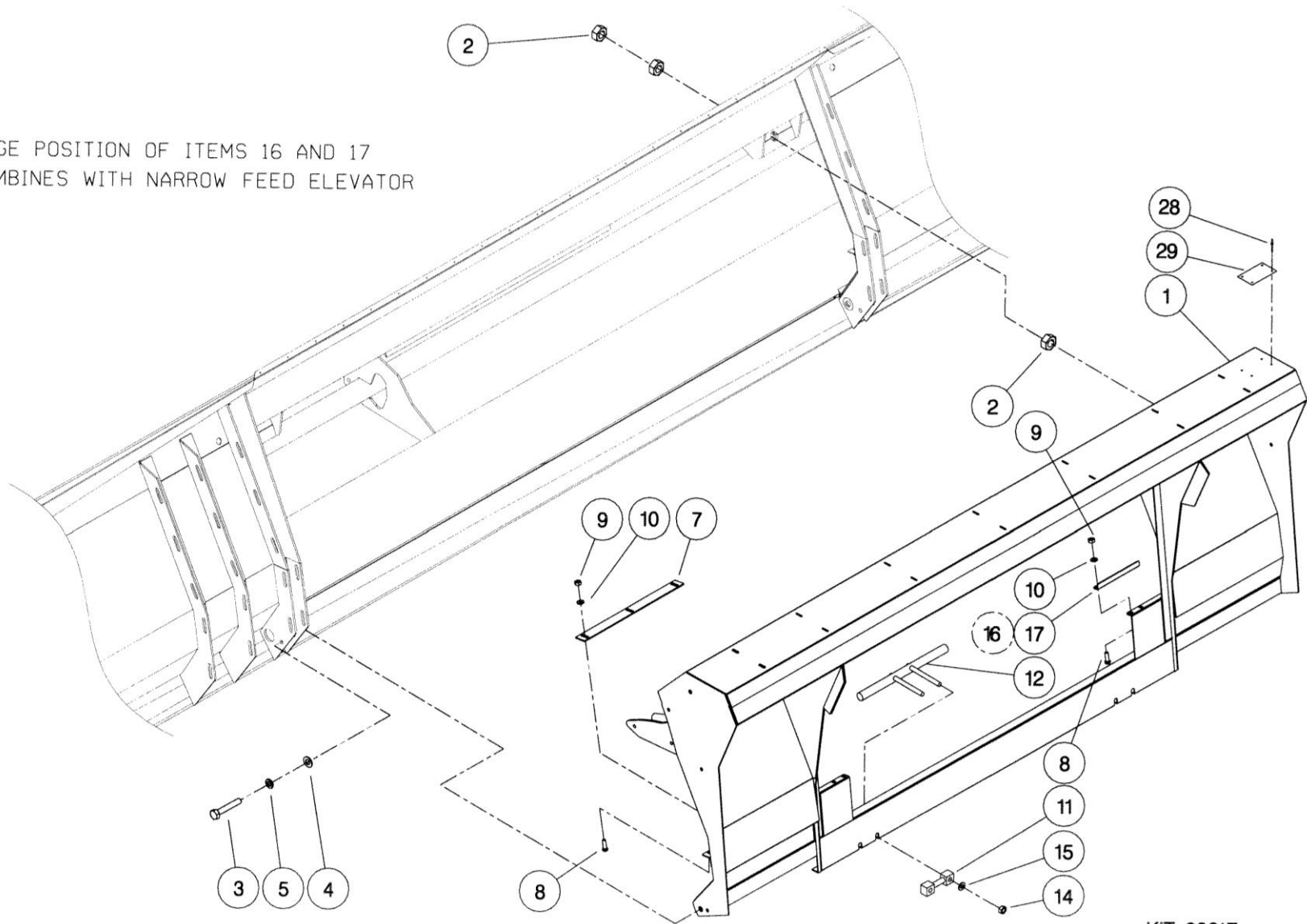
ASSY NUMBER:196517 23K				ASSY DESCRIPTION: ADAPTOR PLATE ASSY - CASE IH (1998)			
ITEM	PART NUMBER	DESCRIPPTION	QTY	ITEM	PART NUMBER	DESCRIPTION	QTY
1	KIT-00617	ADAPTOR PLATE SUB	1				

Shelbourne Reynolds Engineering Limited

ASSY NUMBER:KIT-00617				ASSY DESCRIPTION: ADAPTOR PLATE CASE IH (1998)			
ITEM	PART NUMBER	DESCRIPPTION	QTY	ITEM	PART NUMBER	DESCRIPTION	QTY
1	193475 01	FRAME WELD ASSY	1				
2	NUT-0190	PLAIN NUT (M24)	6				
3	HSS-0315	SET SCREW (M16x35mm)	2				
4	WSH-0024	PLAIN WASHER (16mm)	2				
5	WSH-0070	SPRING WASHER (16mm)	2				
6							
7	191063 02	SCRAPER	2				
8	BLT-4710	COACH BOLT (M8x20mm)	10				
9	NUT-0263	NYLOC NUT (M8)	10				
10	WSH-0012	PLAIN WASHER (8mm)	10				
11	130236 01	PICK UP BAR	2				
12	193473 01	FIXING BAR	2				
13							
14	NUT-0269	NYLOC NUT (M12)	4				
15	WSH-0018	PLAIN WASHER (12mm)	4				
16	193595 01	SCRAPER EXTENSION LH	1				
17	193595 02	SCRAPER EXTENSION RH	1				
28	POP-0006	POP RIVET (3/16"DIAx1/2") (UPTO 2009)	4				
29	134024 05	IDENTIFICATION PLATE (UPTO 2009)	1				

Shelbourne Reynolds Engineering Limited

CHANGE POSITION OF ITEMS 16 AND 17
FOR COMBINES WITH NARROW FEED ELEVATOR



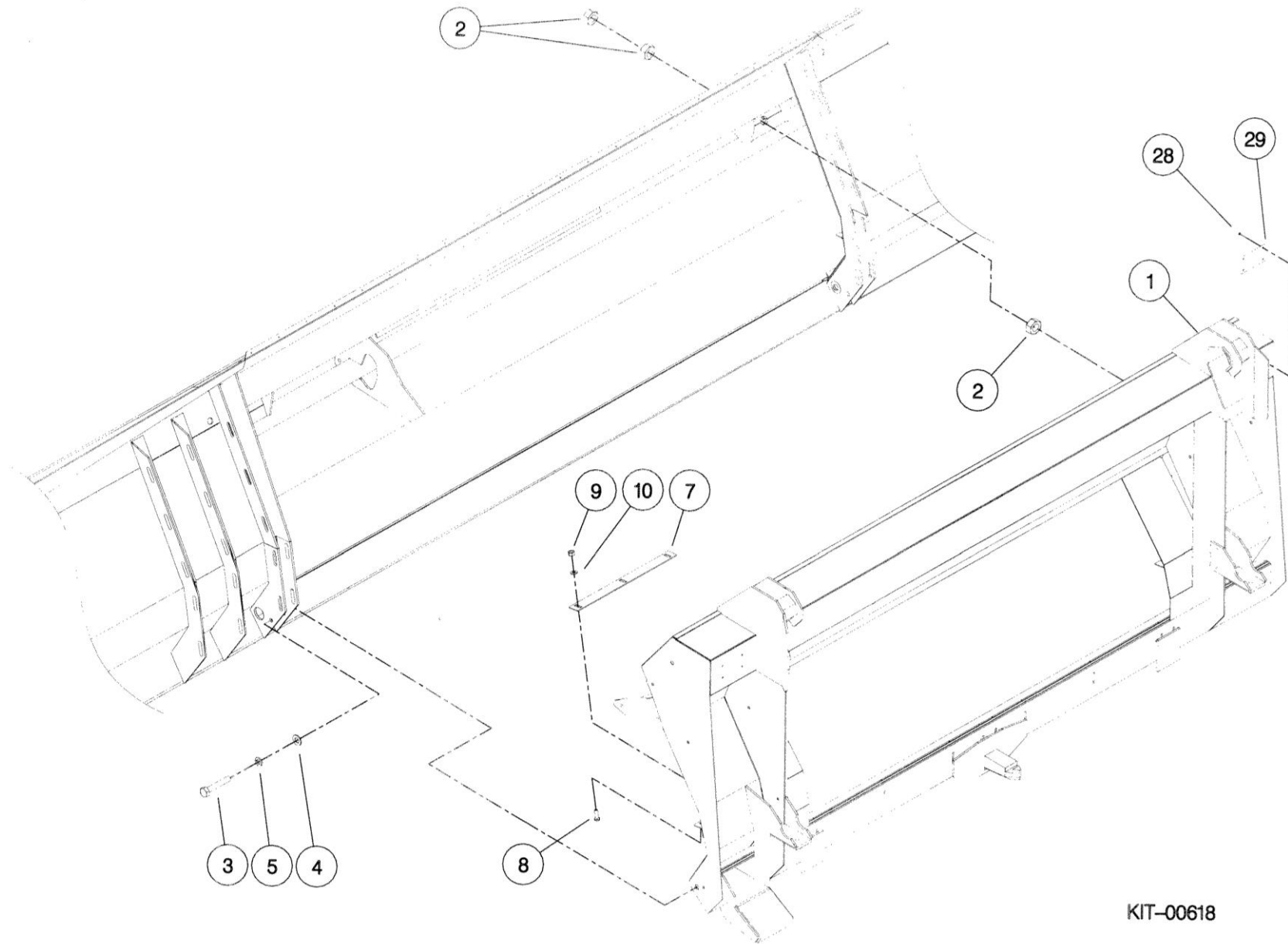
KIT-00617

Shelbourne Reynolds Engineering Limited

ASSY NUMBER:196517 24K				ASSY DESCRIPTION: ADAPTOR PLATE ASSY - CASE IH CF80			
ITEM	PART NUMBER	DESCRIPPTION	QTY	ITEM	PART NUMBER	DESCRIPTION	QTY
1	KIT-00618	ADAPTOR PLATE SUB	1				

Shelbourne Reynolds Engineering Limited

ASSY NUMBER:KIT-00618				ASSY DESCRIPTION: ADAPTOR PLATE CASE IH/MDW E527			
ITEM	PART NUMBER	DESCRIPPTION	QTY	ITEM	PART NUMBER	DESCRIPTION	QTY
1	193771 01	FRAME WELD ASSY	1				
2	NUT-0190	PLAIN NUT	6				
3	HSS-0315	SET SCREW	2				
4	WSH-0024	PLAIN WASHER	2				
5	WSH-0070	SPRING WASHER	2				
6							
7	191063 02	SCRAPER	2				
8	BLT-4710	COACH BOLT	6				
9	NUT-0263	NYLOC NUT	6				
10	WSH-0012	PLAIN WASHER	6				
28	POP-0006	POP RIVET	4				
29	134024 05	IDENTIFICATION PLATE	1				



KIT-00618

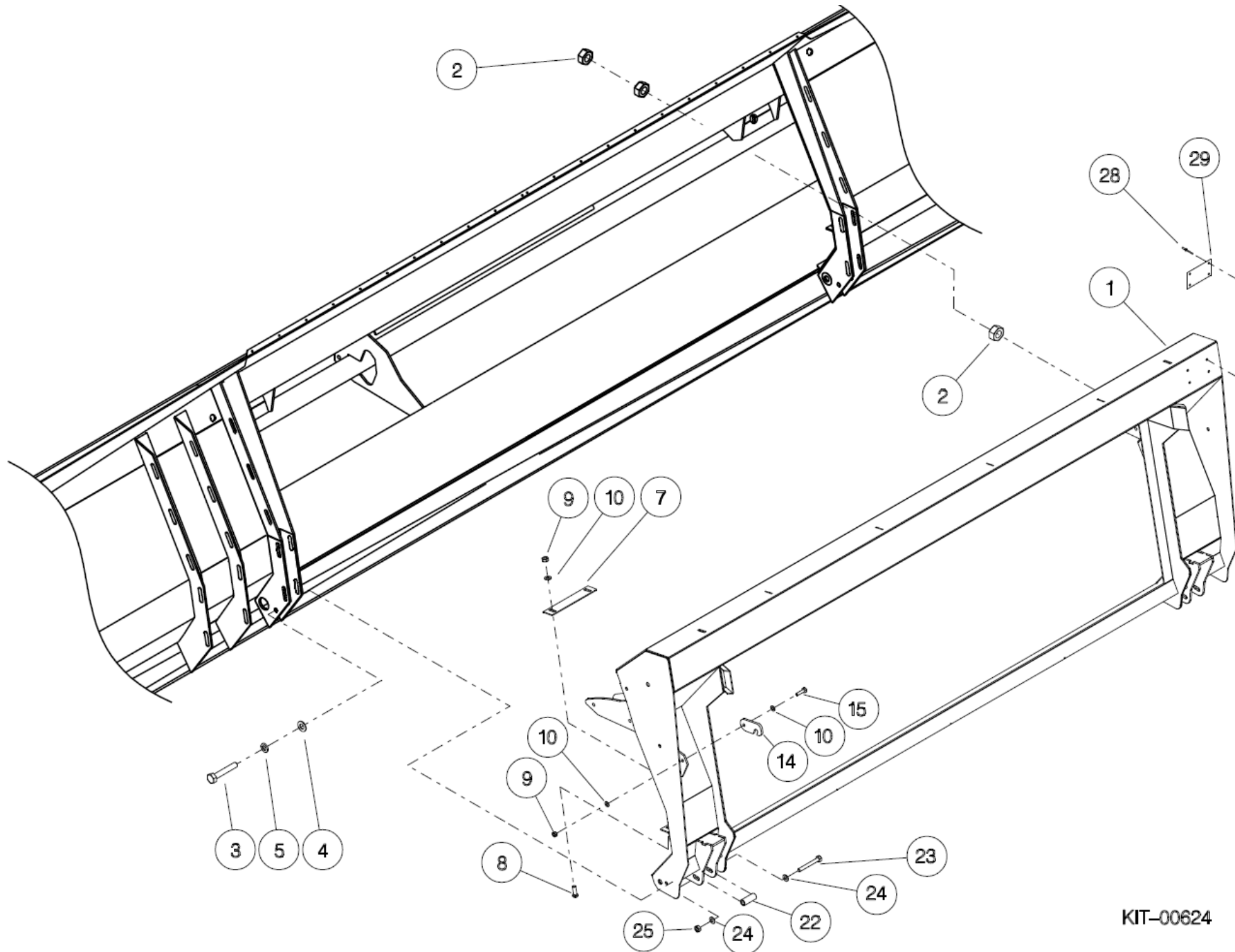
Shelbourne Reynolds Engineering Limited

ASSY NUMBER:196517 26K				ASSY DESCRIPTION: ADAPTOR PLATE ASSY - NEW HOLLAND CX			
ITEM	PART NUMBER	DESCRIPPTION	QTY	ITEM	PART NUMBER	DESCRIPTION	QTY
1	KIT-00624	ADAPTOR PLATE SUB	1				

Shelbourne Reynolds Engineering Limited

ASSY NUMBER: KIT-00624				ASSY DESCRIPTION: ADAPTOR PLATE NEW HOLLAND CX			
ITEM	PART NO	DESCRIPTION	QTY	ITEM	PART NO	DESCRIPTION	QTY
1	195558 01	FRAME W/A	1				
2	NUT-0190	NUT	6				
3	HSS-0315	SCREW	2				
4	WSH-0024	WASHER	2				
5	WSH-0070	SPRING WASHER	2				
6							
7	195552 02	SCRAPER	2				
8	BLT-4710	COACH BOLT	4				
9	NUT-0263	NYLOC NUT	5				
10	WSH-0012	WASHER	6				
11							
12							
13							
14	130111 01	RETAINING LUG	1				
15	HSS-0150	SCREW	1				
16							
17							
18							
19							
20							
21							
21							
21							
22	194312 02	TUBE	2				
23	BLTA10520	BOLT	2				
24	WSH-0015	WASHER	4				
25	NUT-0265	NYLOC NUT	2				
26							
27							
28	POP-0006	POP RIVET (UPTO 2009)	4				
29	134024 05	IDENTIFICATION PLT (UPTO 2009)	1				

Shelbourne Reynolds Engineering Limited



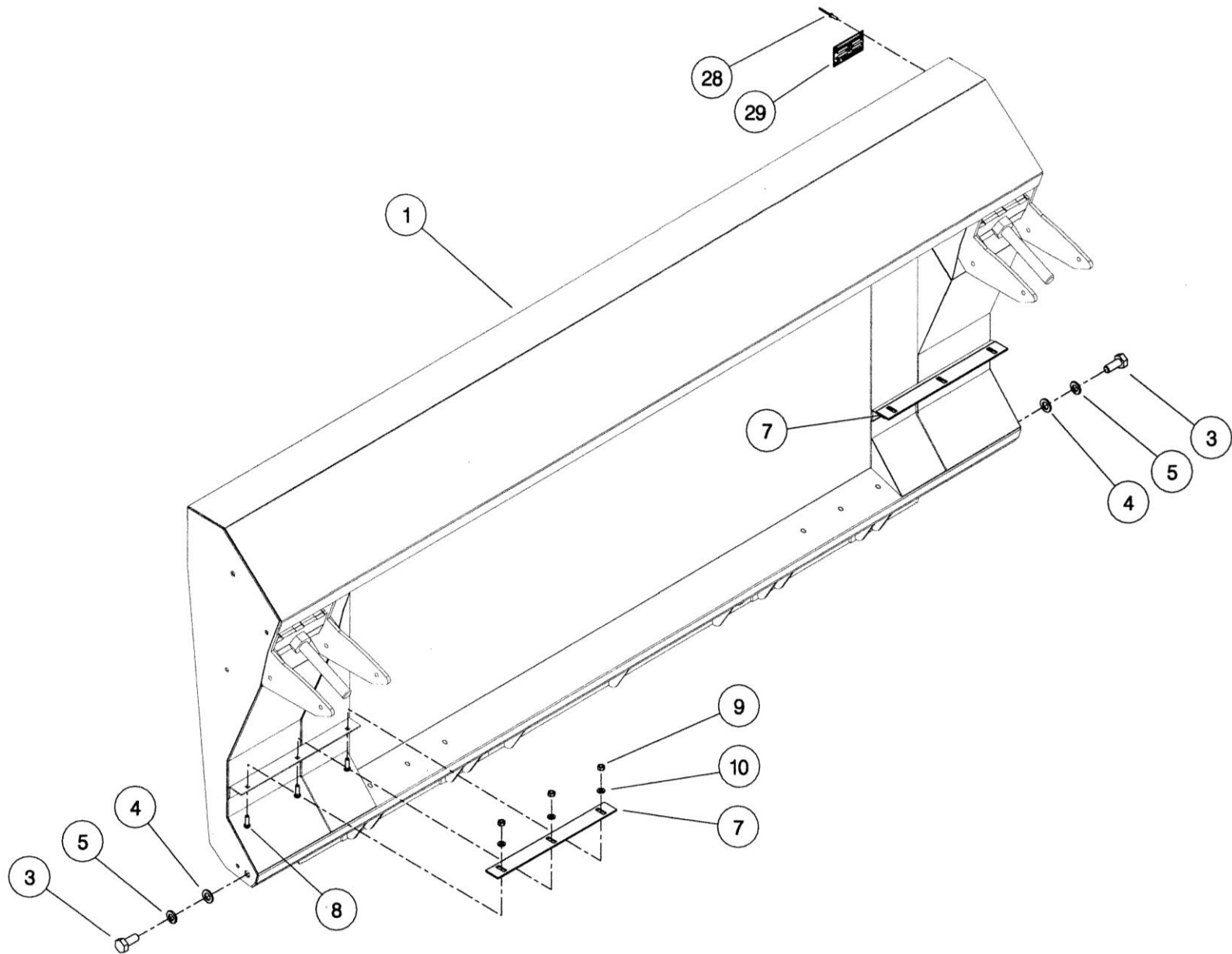
KIT-00624

Shelbourne Reynolds Engineering Limited

ASSY NUMBER:196517 30K				ASSY DESCRIPTION: ADAPTOR PLATE ASSY-MF WORLDWIDE PICKUP ERP			
ITEM	PART NUMBER	DESCRIPPTION	QTY	ITEM	PART NUMBER	DESCRIPTION	QTY
1	KIT-00625	ADAPTOR PLATE SUB	1				
2	KIT-00812	FILL IN KIT	1				

Shelbourne Reynolds Engineering Limited

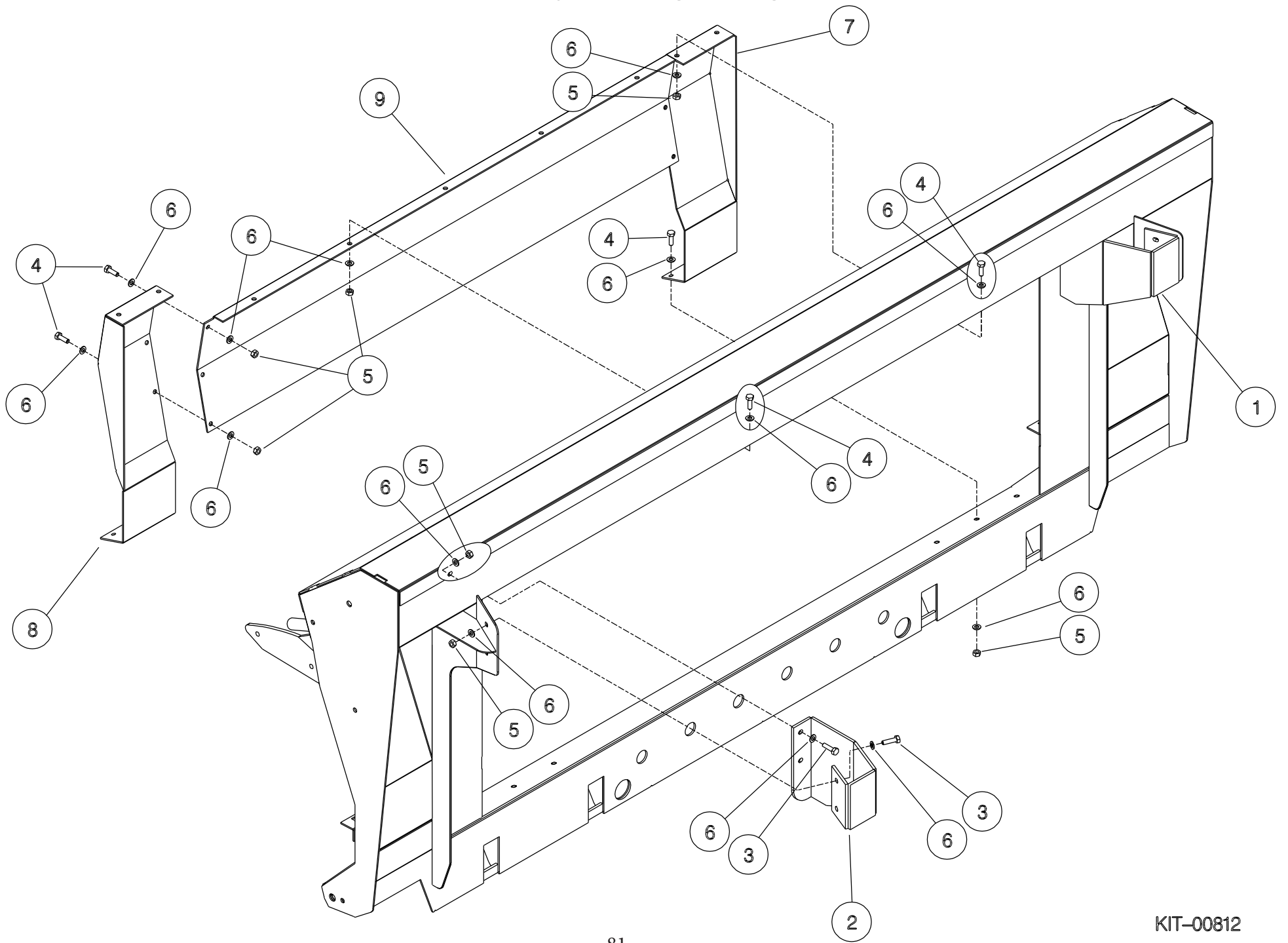
ASSY NUMBER:KIT-00625				ASSY DESCRIPTION: ADAPTOR PLATE AGCO (R/CX)			
ITEM	PART NUMBER	DESCRIPPTION	QTY	ITEM	PART NUMBER	DESCRIPTION	QTY
1	197682 01	FRAME WELD ASSY	1				
2							
3	HSS-0315	SET SCREW	2				
4	WSH-0024	PLAIN WASHER	2				
5	WSH-0070	SPRING WASHER	2				
6							
7	197684 01	SCRAPER	2				
8	BLT-4710	COACH BOLT	6				
9	NUT-0263	NYLOC NUT	6				
10	WSH-0012	PLAIN WASHER	6				
11							
12							
13							
14							
15							
16							
17							
18							
19							
20							
21							
22							
23							
24							
25							
26							
27							
28	POP-0006	POP RIVET (UPTO 2009)	4				
29	194565 01	IDENTIFICATION PLATE (UPTO 2009)	1				



KIT-00625

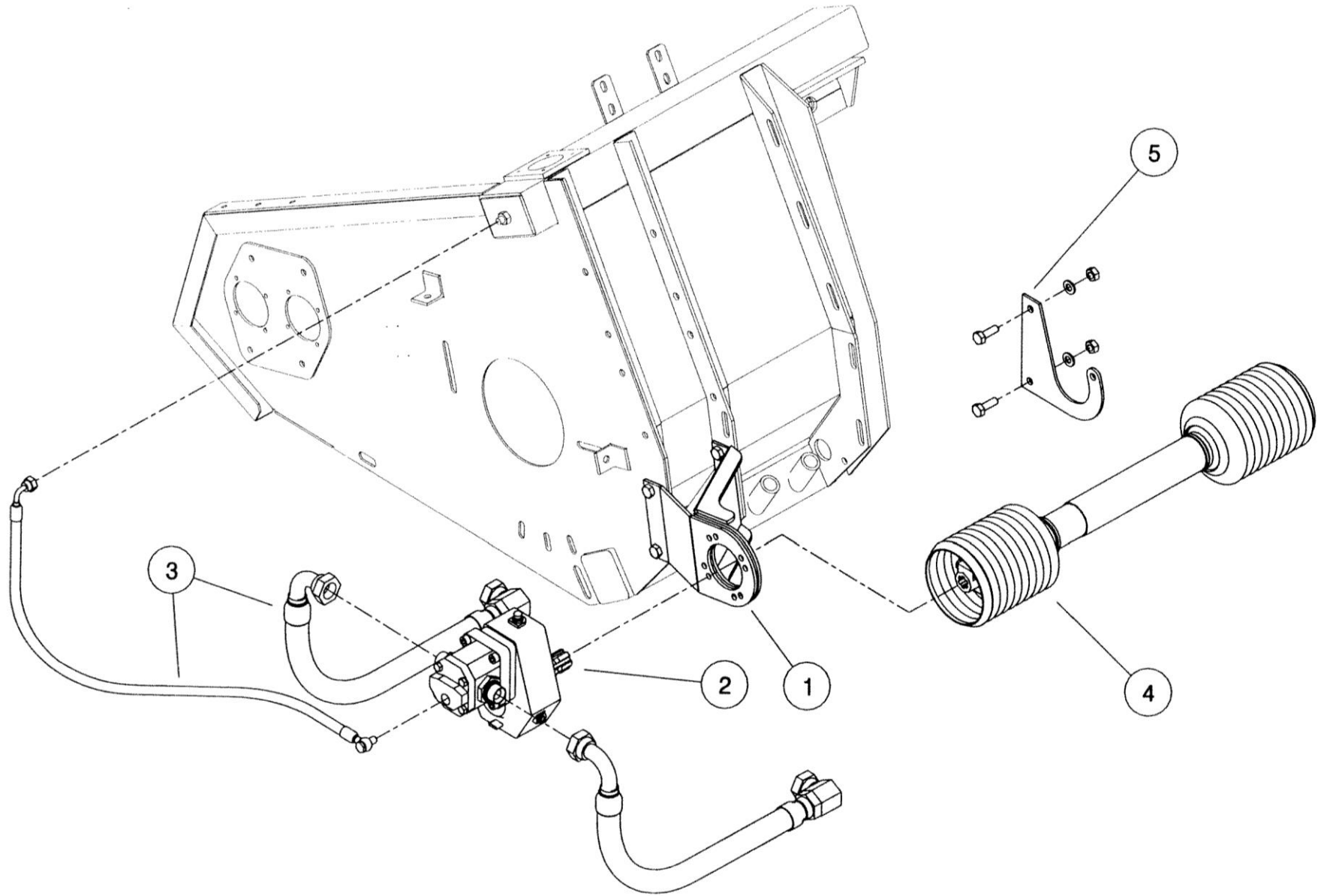
Shelbourne Reynolds Engineering Limited

ASSY NUMBER: KIT-00812				ASSY DESCRIPTION: FILL IN KIT MF WORLD WIDE PICK UP			
ITEM	PART NO	DESCRIPTION	QTY	ITEM	PART NO	DESCRIPTION	QTY
1	291086 01	LH GUIDE PLATE	1				
2	291086 02	RH GUIDE PLATE	1				
3	HSS-0150	BOLT	4				
4	HSS-0145	BOLT	23				
5	NUT-0263	NYLOC NUT	27				
6	WSH-0012	PLAIN WASHER	54				
7	197665 01	LH FILL IN PLATE	1				
8	197665 02	RH FILL IN PLATE	1				
9	197666 01	UPPER FILL IN PLATE	1				



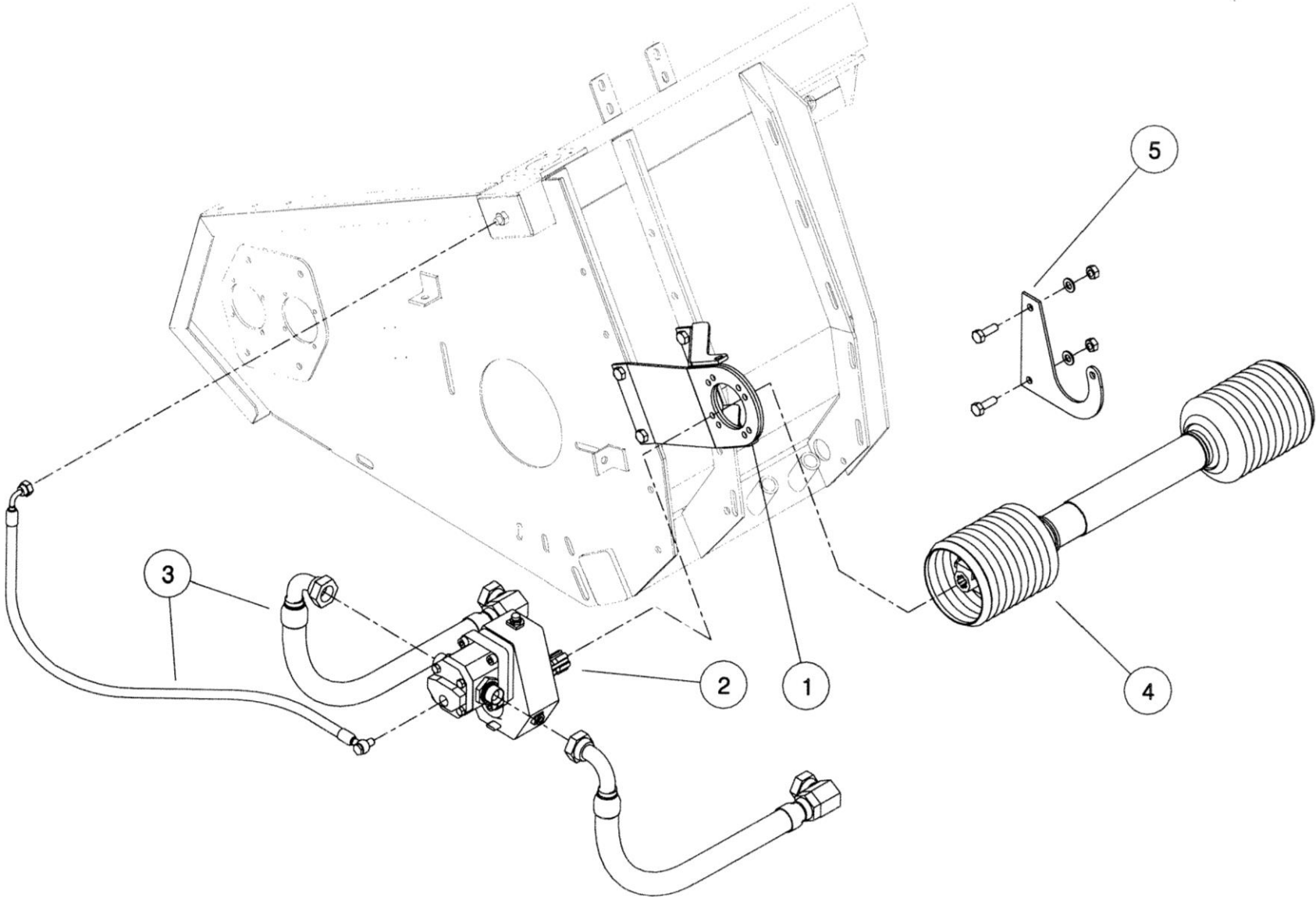
Shelbourne Reynolds Engineering Limited

ASSY NUMBER:209902 001				ASSY DESCRIPTION: P.U.H DRIVE KIT - CASE IH (ALL AXIAL)			
ITEM	PART NUMBER	DESCRIPPTION	QTY	ITEM	PART NUMBER	DESCRIPTION	QTY
1	KIT-00220	SHORT DRIVE SUPP.BRKT.KIT.	1				
2	KIT-02406	HYD.PUMP & GEARBOX ASSY (INCLUDING HYD. FITTINGS)	1				
3	KIT-02530	HYD.HOSE KIT	1				
4	PTO-21001	PTO SHAFT ASSY (W2200,510cc 1 1/8"HEX.x 1 3/8"x 6SPL.)	1				
5	KIT-00931	PTO SUPPORT KIT	1				



Shelbourne Reynolds Engineering Limited

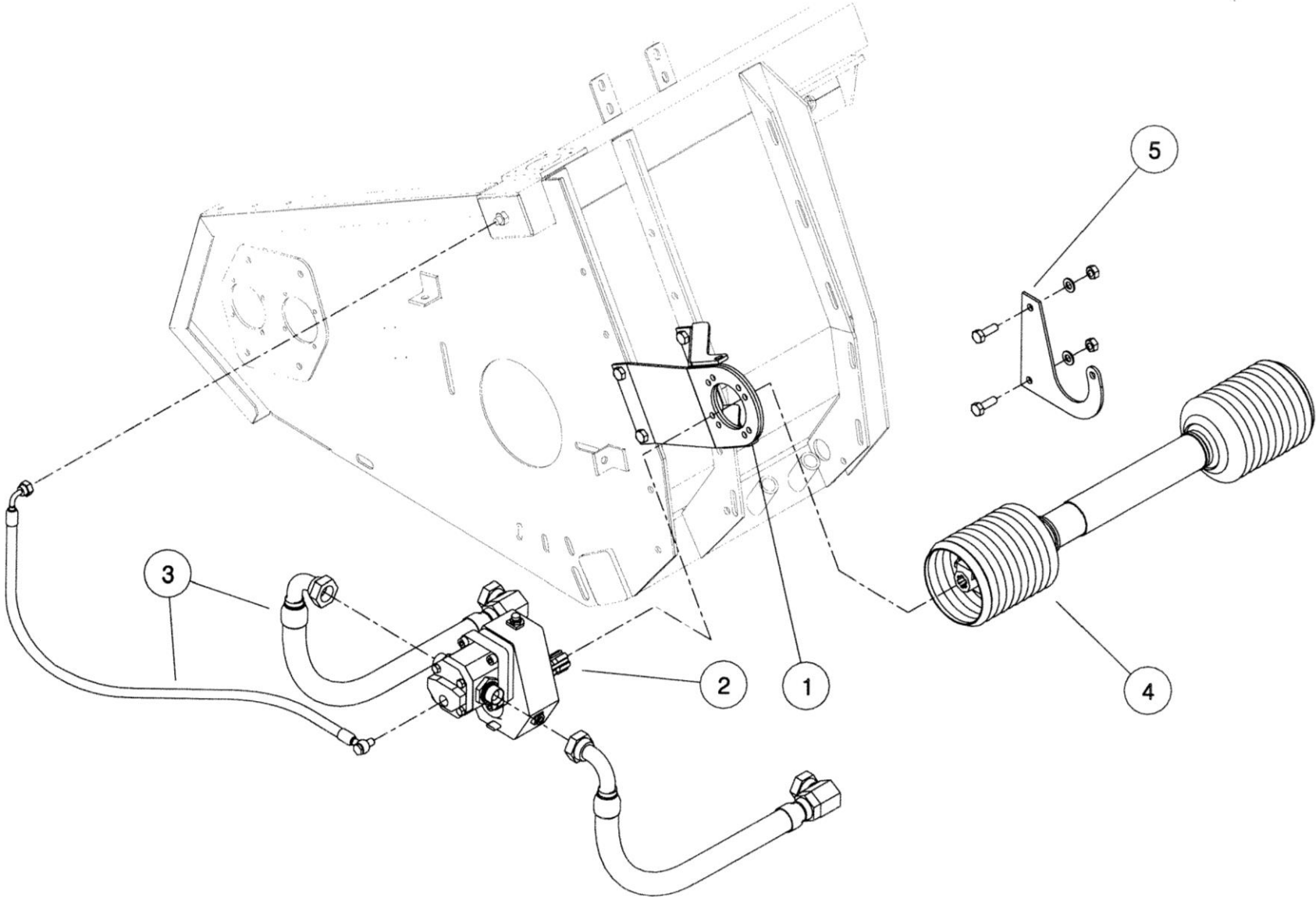
ASSY NUMBER:209902 011				ASSY DESCRIPTION: P.U.H DRIVE KIT - CLAAS (PRE LEXION)			
ITEM	PART NUMBER	DESCRIPPTION	QTY	ITEM	PART NUMBER	DESCRIPTION	QTY
1	KIT-00221	LONG DRIVE SUPP.BRKT.KIT.	1				
2	KIT-02407	HYD.PUMP & GEARBOX ASSY (INCLUDING HYD. FITTINGS)	1				
3	KIT-02530	HYD.HOSE KIT	1				
4	PTO-21000	PTO SHAFT ASSY(W2200,510cc BOTH ENDS 1 3/8"x 6 SPL.)	1				
5	KIT-00931	PTO SUPPORT KIT	1				



209902 011 / 012 / 013 / 051 / 052 / 112

Shelbourne Reynolds Engineering Limited

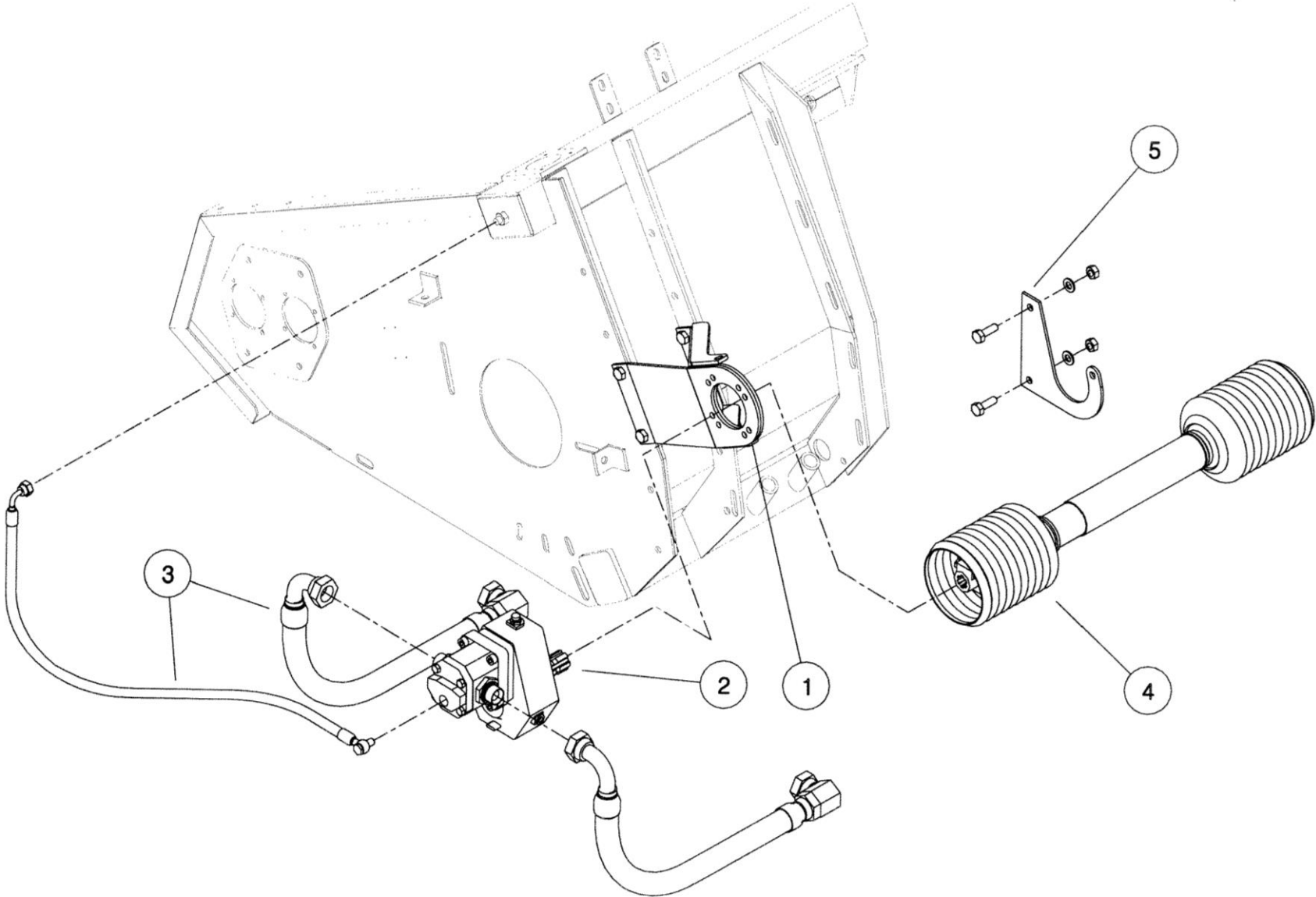
ASSY NUMBER:209902 012				ASSY DESCRIPTION: P.U.H DRIVE KIT - CLAAS (LEXION-6 WALK)			
ITEM	PART NUMBER	DESCRIPPTION	QTY	ITEM	PART NUMBER	DESCRIPTION	QTY
1	KIT-00221	LONG DRIVE SUPP.BRKT.KIT.	1				
2	KIT-02407	HYD.PUMP & GEARBOX ASSY (INCLUDING HYD. FITTINGS)	1				
3	KIT-02530	HYD.HOSE KIT	1				
4	PTO-21003	PTO SHAFT ASSY(W2200,410cc 1 3/8"x 21 & 1 3/8"x 6 SPL	1				
5	KIT-00931	PTO SUPPORT KIT	1				



209902 011 / 012 / 013 / 051 / 052 / 112

Shelbourne Reynolds Engineering Limited

ASSY NUMBER:209902 013				ASSY DESCRIPTION: P.U.H DRIVE KIT - CLAAS (LEXION-5 WALK)			
ITEM	PART NUMBER	DESCRIPPTION	QTY	ITEM	PART NUMBER	DESCRIPTION	QTY
1	KIT-00221	LONG DRIVE SUPP.BRKT.KIT.	1				
2	KIT-02407	HYD.PUMP & GEARBOX ASSY (INCLUDING HYD. FITTINGS)	1				
3	KIT-02530	HYD.HOSE KIT	1				
4	PTO-21006	PTO SHAFT ASSY(1 3/8"x 21 & 1 3/8"x 6 SPL	1				
5	KIT-00931	PTO SUPPORT KIT	1				

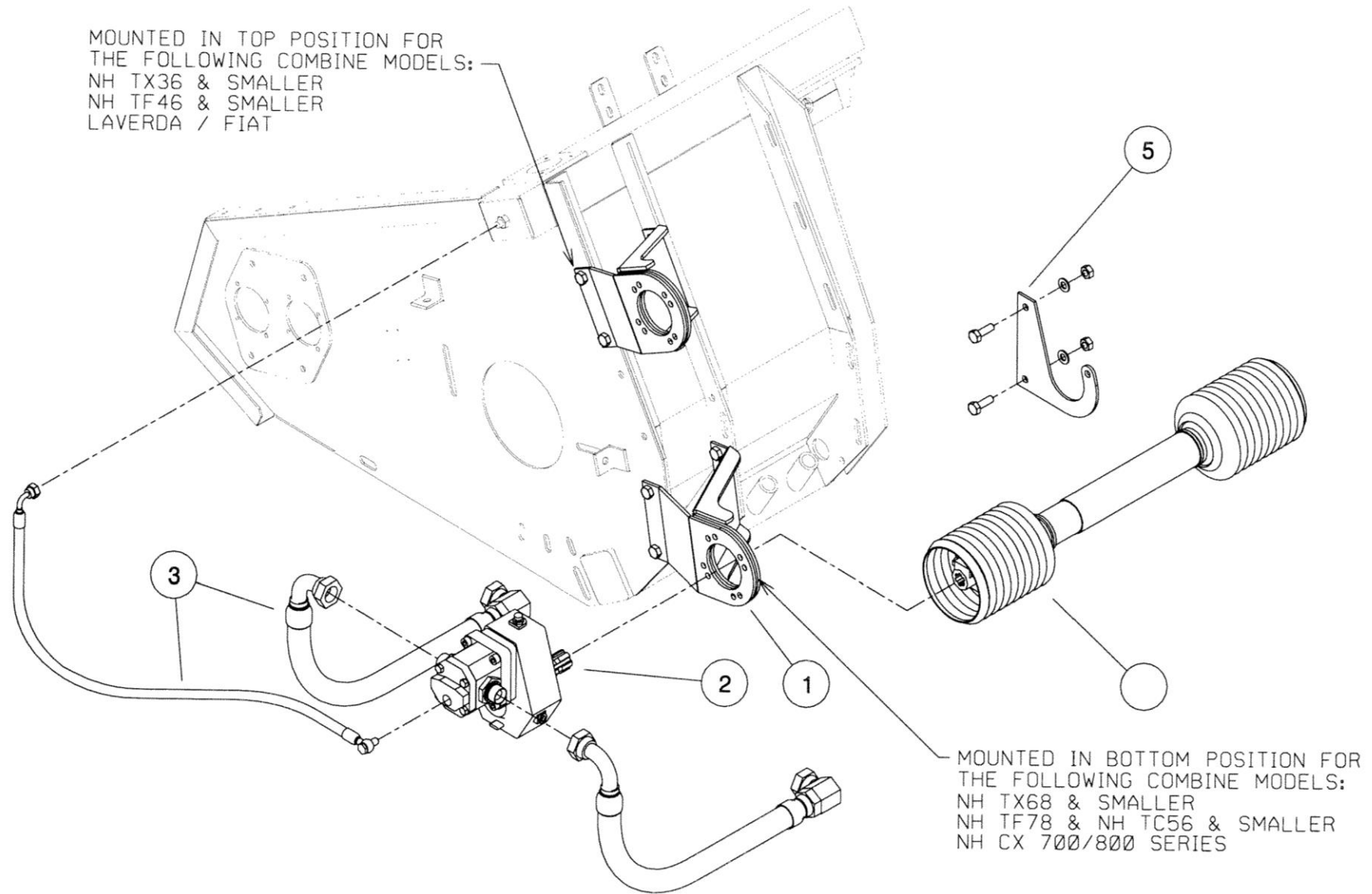


209902 011 / 012 / 013 / 051 / 052 / 112

Shelbourne Reynolds Engineering Limited

ASSY NUMBER:209902 021				ASSY DESCRIPTION: P.U.H DRIVE KIT - NH(TX,TF),LAV.(6 WALK)			
ITEM	PART NUMBER	DESCRIPPTION	QTY	ITEM	PART NUMBER	DESCRIPTION	QTY
1	KIT-00220	SHORT DRIVE SUPP.BRKT.KIT.	1				
2	KIT-02406	HYD.PUMP & GEARBOX ASSY (INCLUDING HYD. FITTINGS)	1				
3	KIT-02530	HYD.HOSE KIT	1				
4	PTO-21002	PTO SHAFT ASSY(W2200,410cc BOTH ENDS 1 3/8"x 6 SPL.)	1				
5	KIT-00931	PTO SUPPORT KIT	1				

Shelbourne Reynolds Engineering Limited

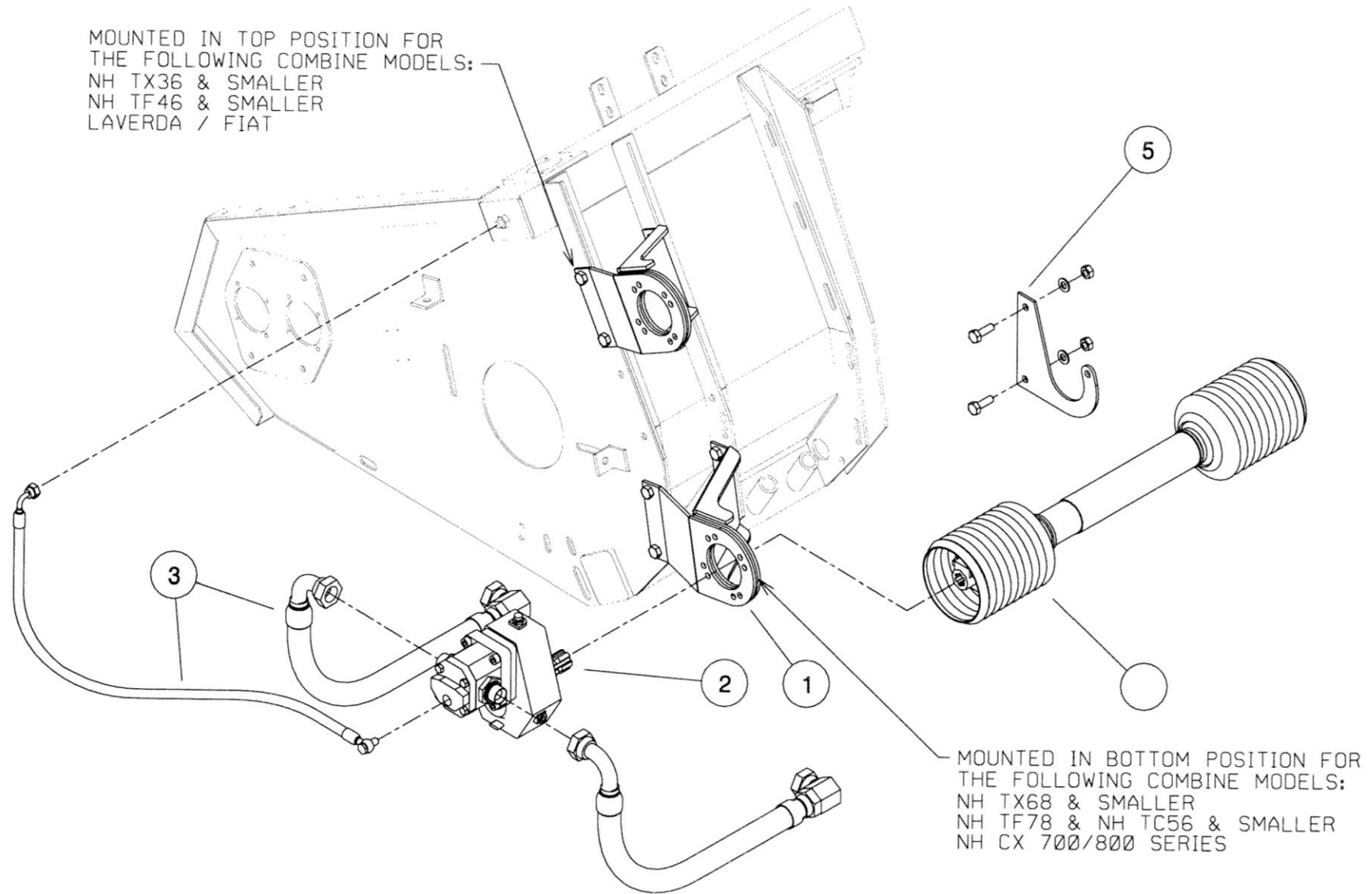


209902 021/ 022
209902 023/ 024

Shelbourne Reynolds Engineering Limited

ASSY NUMBER:209902 022				ASSY DESCRIPTION: P.U.H DRIVE KIT - NH(TX,F,C),LAV.(5 WALK)			
ITEM	PART NUMBER	DESCRIPPTION	QTY	ITEM	PART NUMBER	DESCRIPTION	QTY
1	KIT-00220	SHORT DRIVE SUPP.BRKT.KIT.	1				
2	KIT-02406	HYD.PUMP & GEARBOX ASSY (INCLUDING HYD. FITTINGS)	1				
3	KIT-02530	HYD.HOSE KIT	1				
4	PTO-21000	PTO SHAFT ASSY(W2200,510cc BOTH ENDS 1 3/8"x 6 SPL.)	1				
5	KIT-00931	PTO SUPPORT KIT	1				

Shelbourne Reynolds Engineering Limited

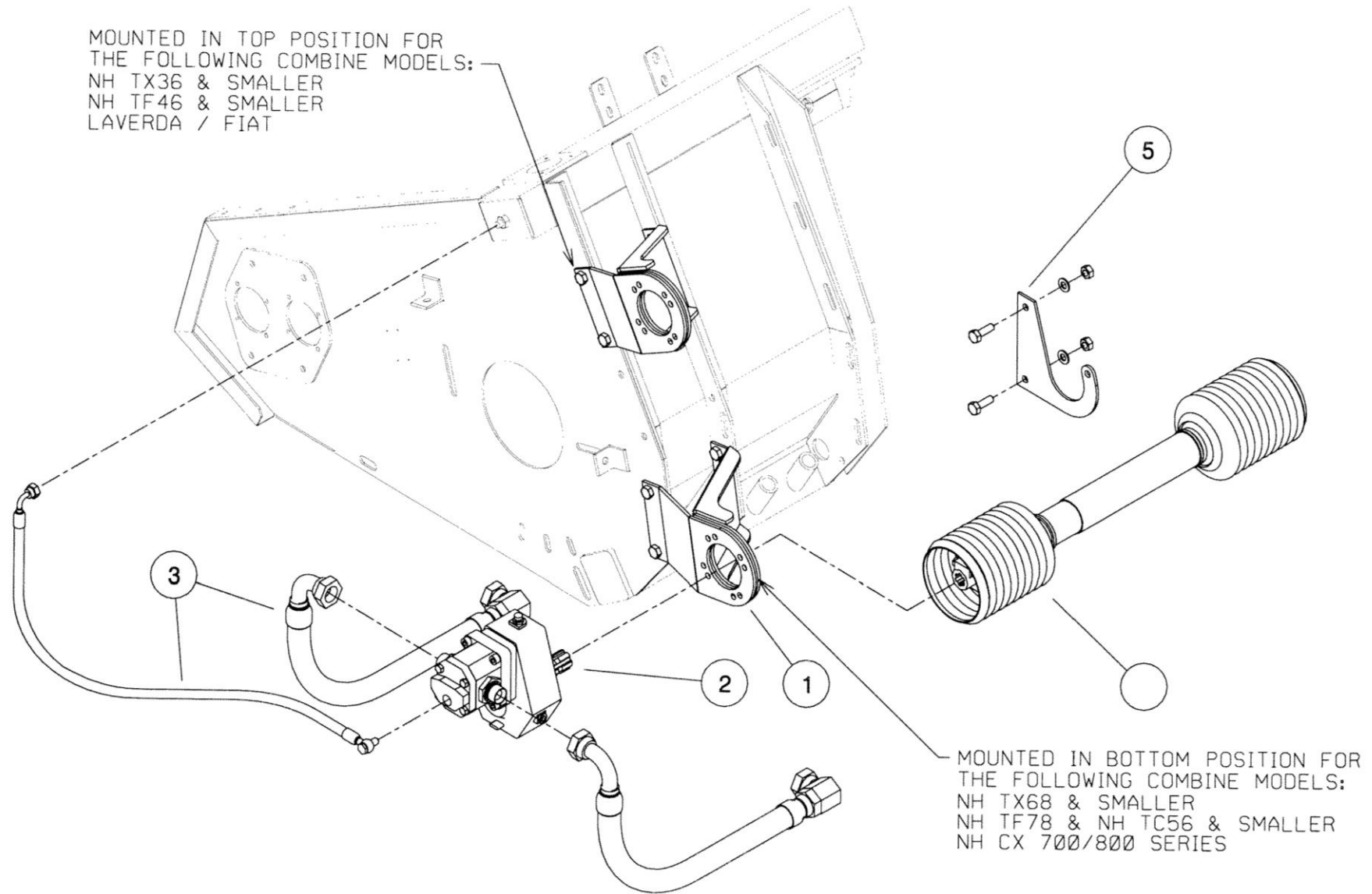


209902 021/ 022
209902 023/ 024

Shelbourne Reynolds Engineering Limited

ASSY NUMBER:209902 023				ASSY DESCRIPTION: P.U.H DRIVE KIT - NH CX 800 SERIES (6 WALK)			
ITEM	PART NUMBER	DESCRIPPTION	QTY	ITEM	PART NUMBER	DESCRIPTION	QTY
1	KIT-00220	SHORT DRIVE SUPP.BRKT.KIT.	1				
2	KIT-02409	HYD.PUMP & GEARBOX ASSY (INCLUDING HYD. FITTINGS)	1				
3	KIT-02530	HYD.HOSE KIT	1				
4	PTO-21002	PTO SHAFT ASSY (W2200,410cc BOTH ENDS 1 3/8"x 6 SPL.)	1				
5	KIT-00931	PTO SUPPORT KIT	1				

Shelbourne Reynolds Engineering Limited

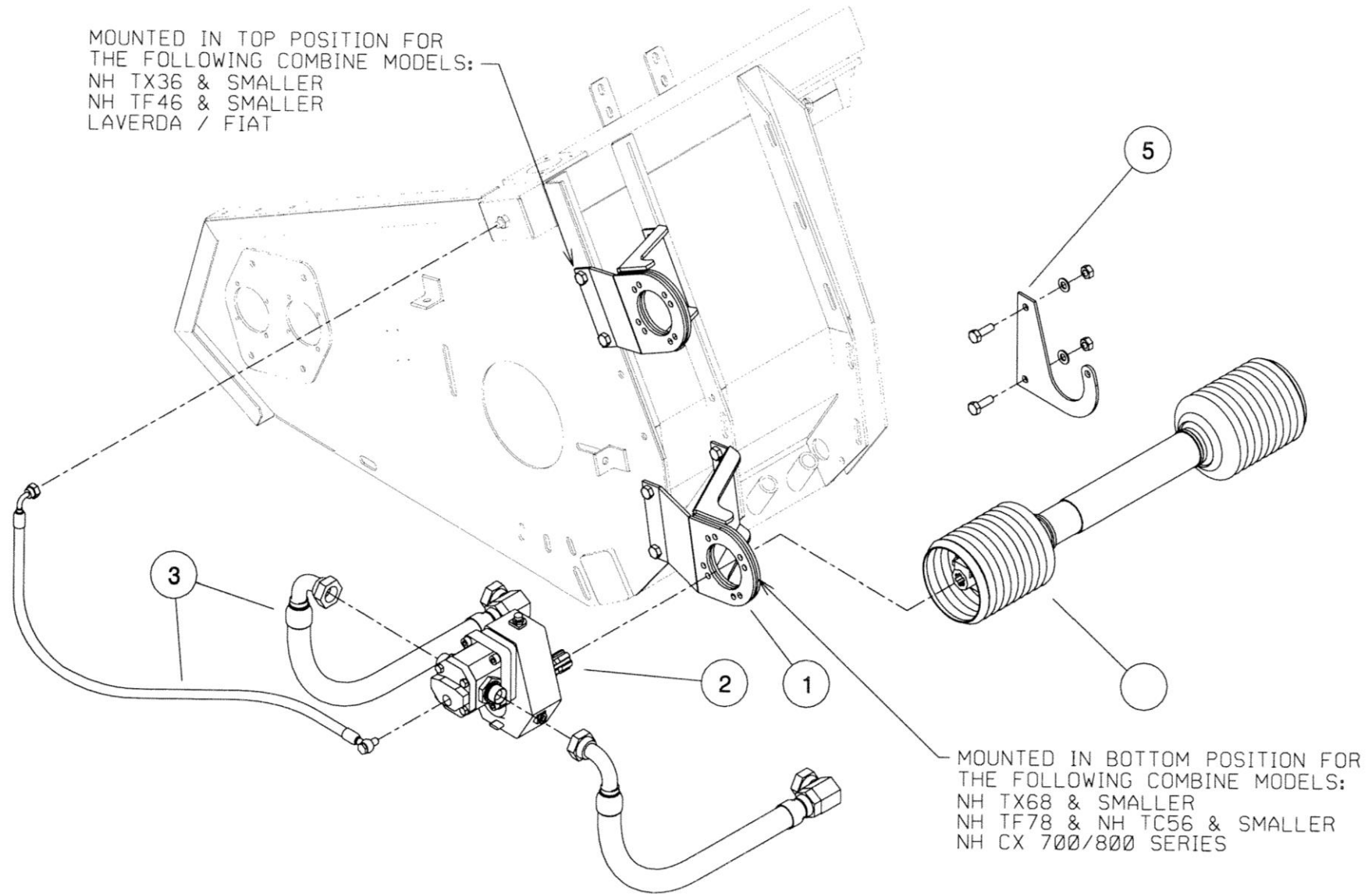


209902 021/ 022
209902 023/ 024

Shelbourne Reynolds Engineering Limited

ASSY NUMBER:209902 024				ASSY DESCRIPTION: P.U.H DRIVE KIT - NH CX 700 SERIES(5 WALK)			
ITEM	PART NUMBER	DESCRIPPTION	QTY	ITEM	PART NUMBER	DESCRIPTION	QTY
1	KIT-00220	SHORT DRIVE SUPP.BRKT.KIT.	1				
2	KIT-02409	HYD.PUMP & GEARBOX ASSY (INCLUDING HYD. FITTINGS)	1				
3	KIT-02530	HYD.HOSE KIT	1				
4	PTO-21000	PTO SHAFT ASSY(W2200,510cc BOTH ENDS 1 3/8"x 6 SPL.)	1				
5	KIT-00931	PTO SUPPORT KIT	1				

Shelbourne Reynolds Engineering Limited

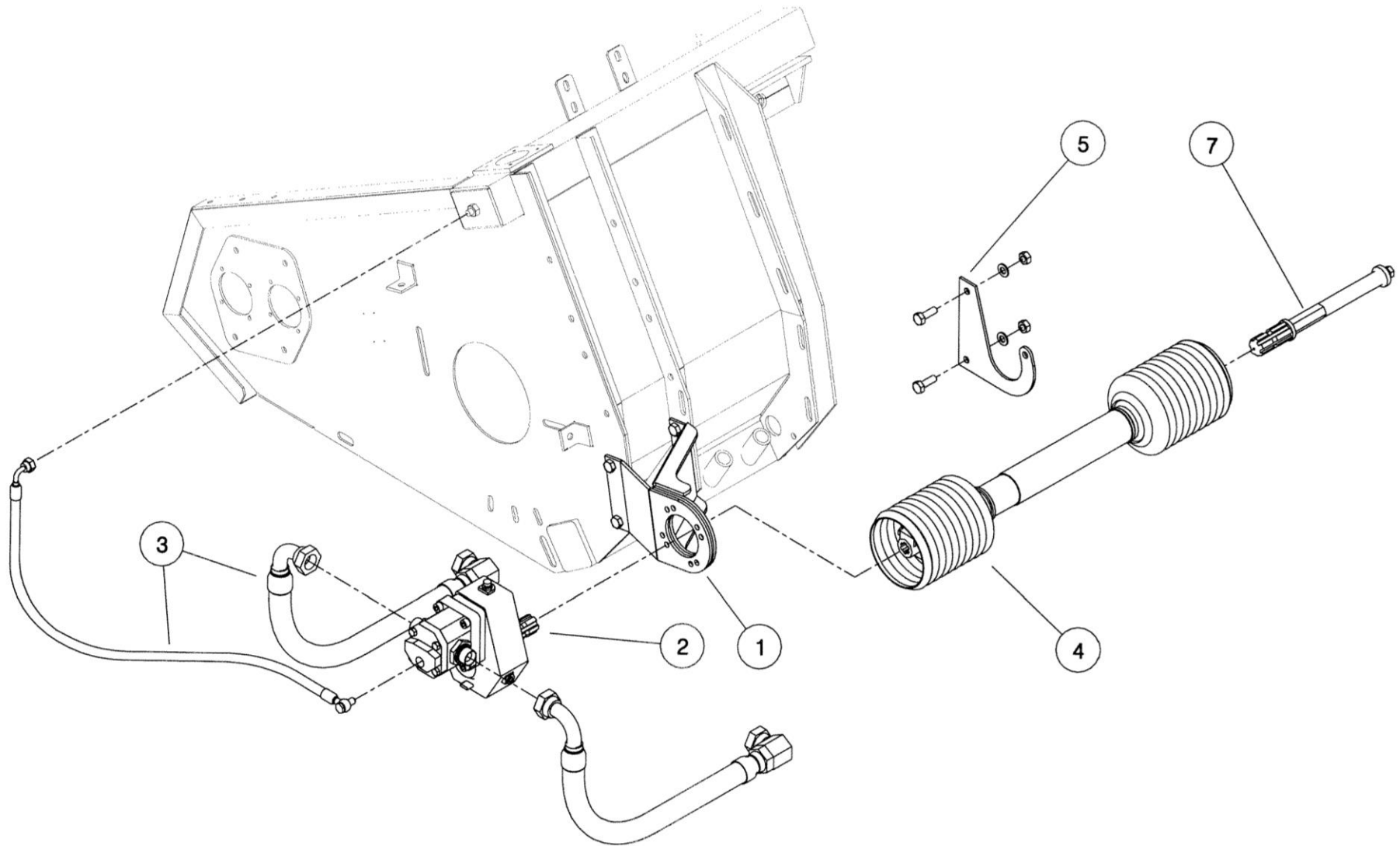


209902 021/ 022
209902 023/ 024

Shelbourne Reynolds Engineering Limited

ASSY NUMBER:209902 031				ASSY DESCRIPTION: P.U.H DRIVE KIT - JD (9,10,11 SERIES)			
ITEM	PART NUMBER	DESCRIPPTION	QTY	ITEM	PART NUMBER	DESCRIPTION	QTY
1	KIT-00220	SHORT DRIVE SUPP.BRKT.KIT.	1				
2	KIT-02406	HYD.PUMP & GEARBOX ASSY (INCLUDING HYD. FITTINGS)	1				
3	KIT-02530	HYD.HOSE KIT	1				
4	PTO-21000	PTO SHAFT ASSY(W2200,510cc BOTH ENDS 1 3/8"x 6 SPL.)	1				
5	KIT-00931	PTO SUPPORT KIT	1				
6							
7	KIT-01210	JD DRIVE SHAFT KIT	1				

Shelbourne Reynolds Engineering Limited

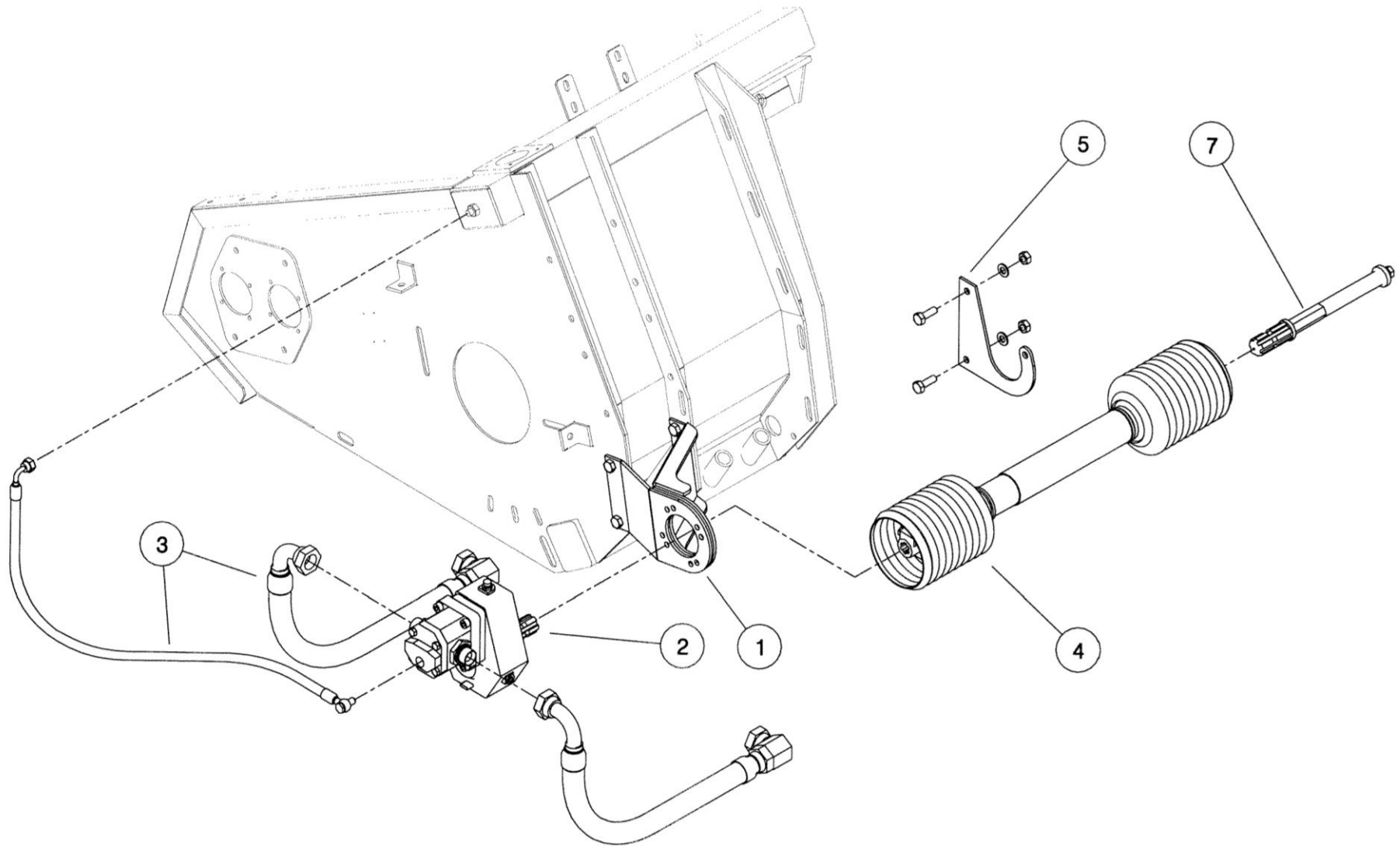


209902 031/032

Shelbourne Reynolds Engineering Limited

ASSY NUMBER:209902 032				ASSY DESCRIPTION: P.U.H DRIVE KIT - JD1188			
ITEM	PART NUMBER	DESCRIPPTION	QTY	ITEM	PART NUMBER	DESCRIPTION	QTY
1	KIT-00220	SHORT DRIVE SUPP.BRKT.KIT.	1				
2	KIT-02406	HYD.PUMP & GEARBOX ASSY (INCLUDING HYD. FITTINGS)	1				
3	KIT-02530	HYD.HOSE KIT	1				
4	PTO-21002	PTO SHAFT ASSY(W2200,410cc BOTH ENDS 1 3/8"x 6 SPL.)	1				
5	KIT-00931	PTO SUPPORT KIT	1				
6							
7	KIT-01210	JD DRIVE SHAFT KIT	1				

Shelbourne Reynolds Engineering Limited

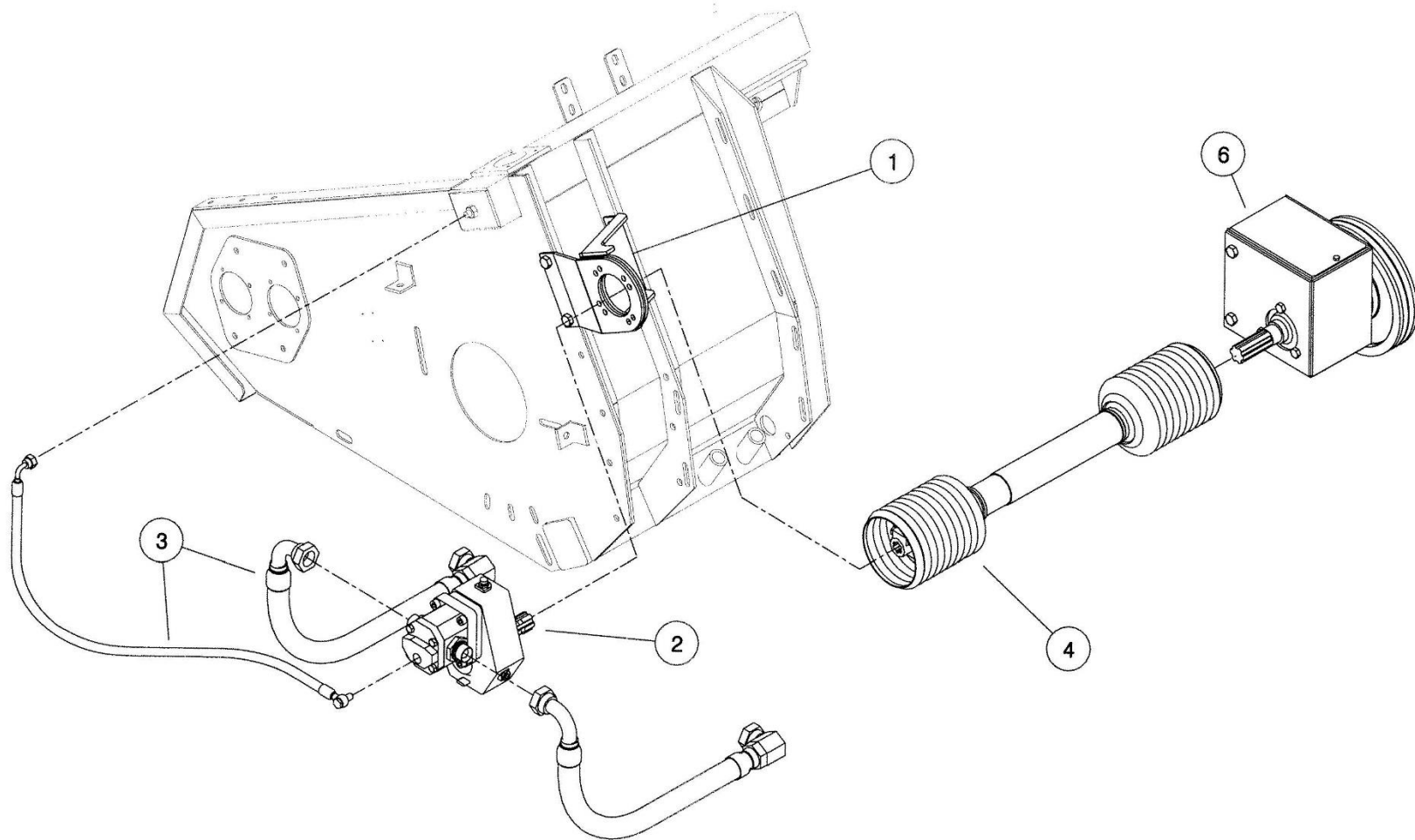


209902 031/032

Shelbourne Reynolds Engineering Limited

ASSY NUMBER:209902 041				ASSY DESCRIPTION: P.U.H DRIVE KIT - (MF DRON)			
ITEM	PART NUMBER	DESCRIPPTION	QTY	ITEM	PART NUMBER	DESCRIPTION	QTY
1	KIT-00221	LONG DRIVE SUPP.BRKT.KIT.	1				
2	KIT-02406	HYD.PUMP & GEARBOX ASSY (INCLUDING HYD. FITTINGS)	1				
3	KIT-02531	HYD.HOSE KIT	1				
4	PTO-21002	PTO SHAFT ASSY(W2200,410cc BOTH ENDS 1 3/8"x 6 SPL.)	1				
5							
6	KIT-00311	BEARING BOX ASSY MOUNT DRIVE SUPPORT BRACKET IN TOP POSITION	1				

Shelbourne Reynolds Engineering Limited

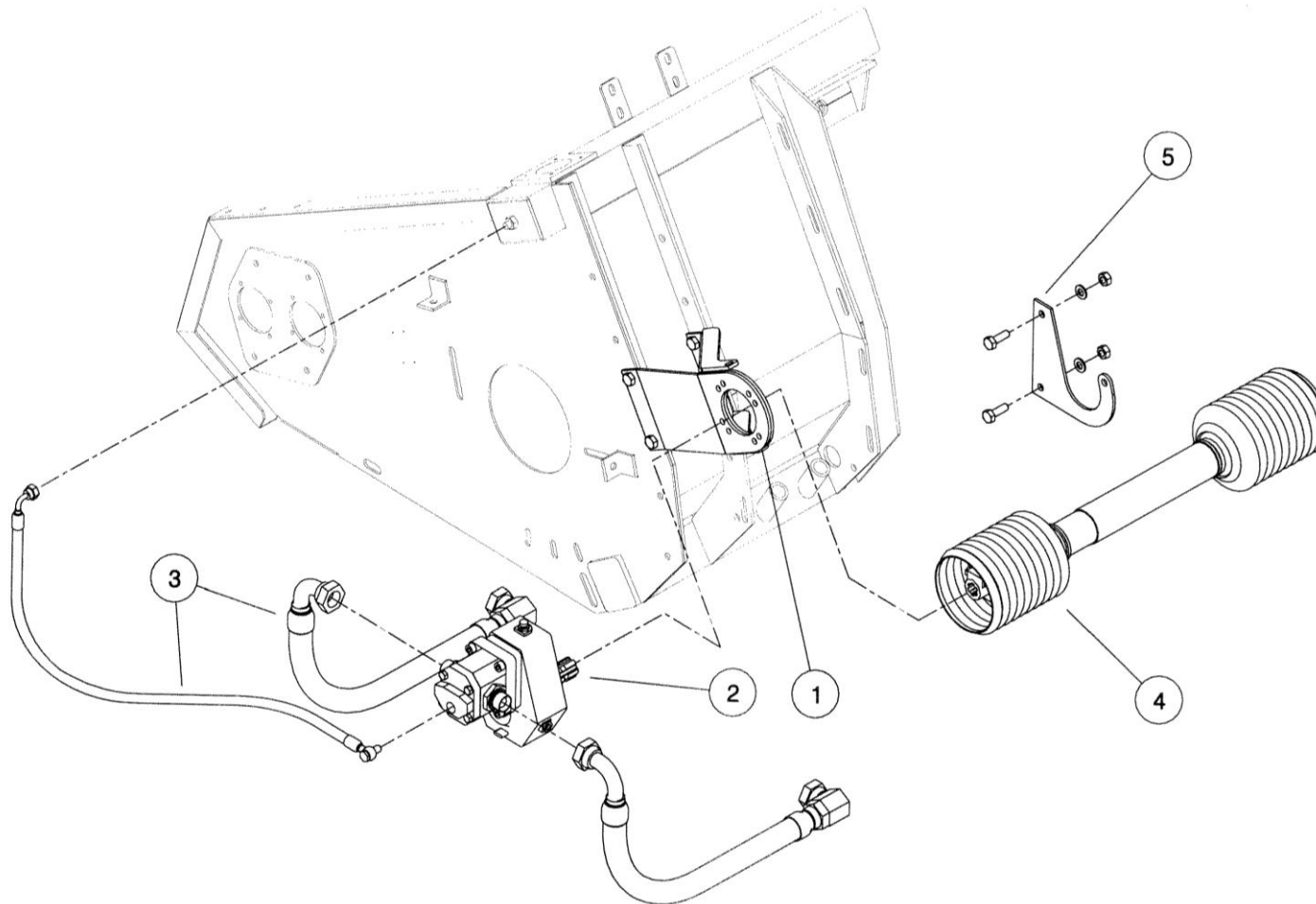


209902 041

Shelbourne Reynolds Engineering Limited

ASSY NUMBER:209902 051				ASSY DESCRIPTION: P.U.H DRIVE KIT - DEUTZ FAHR (NOT ST.TR)			
ITEM	PART NUMBER	DESCRIPPTION	QTY	ITEM	PART NUMBER	DESCRIPTION	QTY
1	KIT-00221	LONG DRIVE SUPP.BRKT.KIT.	1				
2	KIT-02406	HYD.PUMP & GEARBOX ASSY	1				
3	KIT-02530	HYD.HOSE KIT	1				
4	PTO-21000	PTO SHAFT ASSY	1				
5	KIT-00931	(W2200,510cc PTO SUPPORT KIT	1				

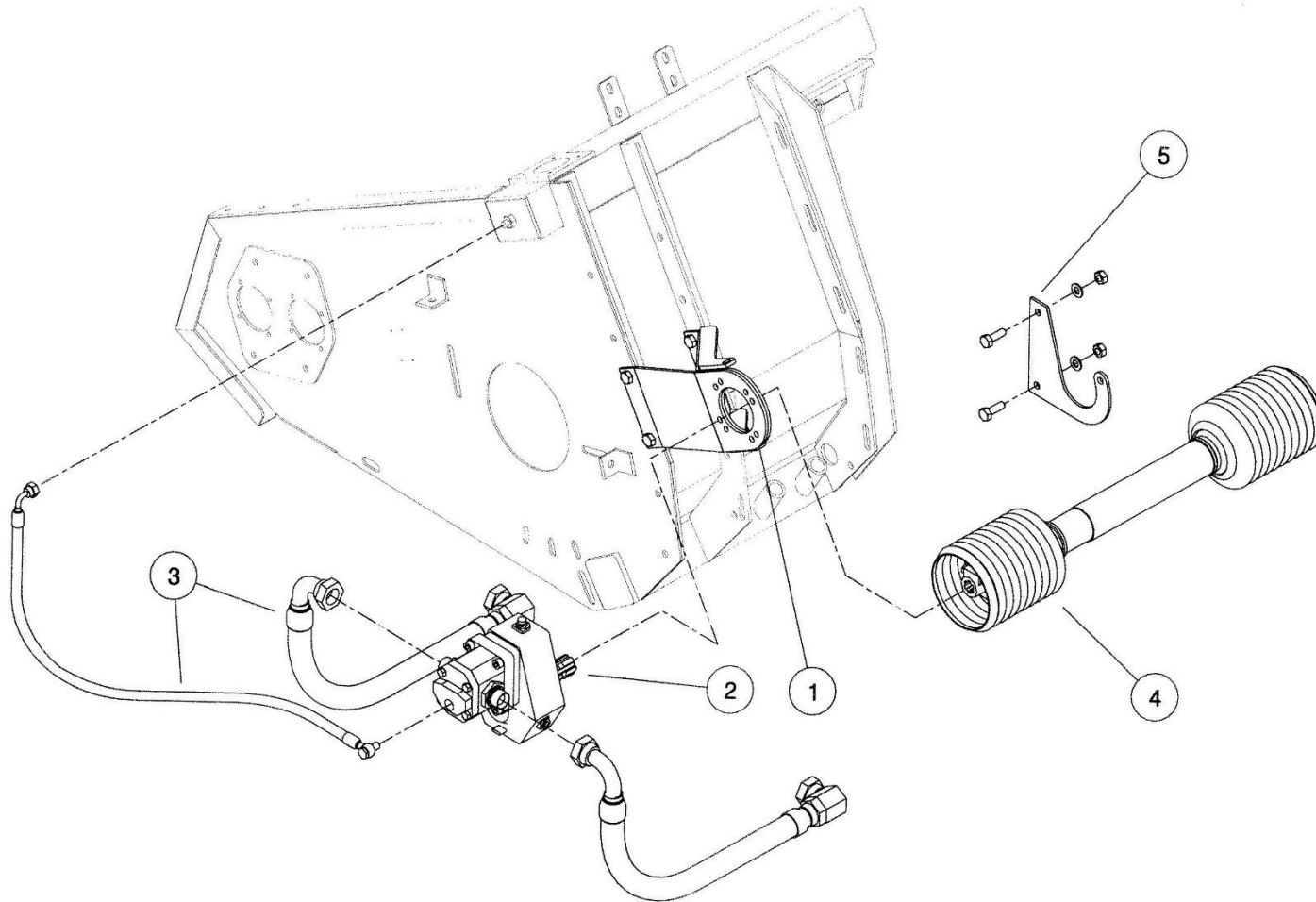
Shelbourne Reynolds Engineering Limited



209902 011/012/051/052/112

Shelbourne Reynolds Engineering Limited

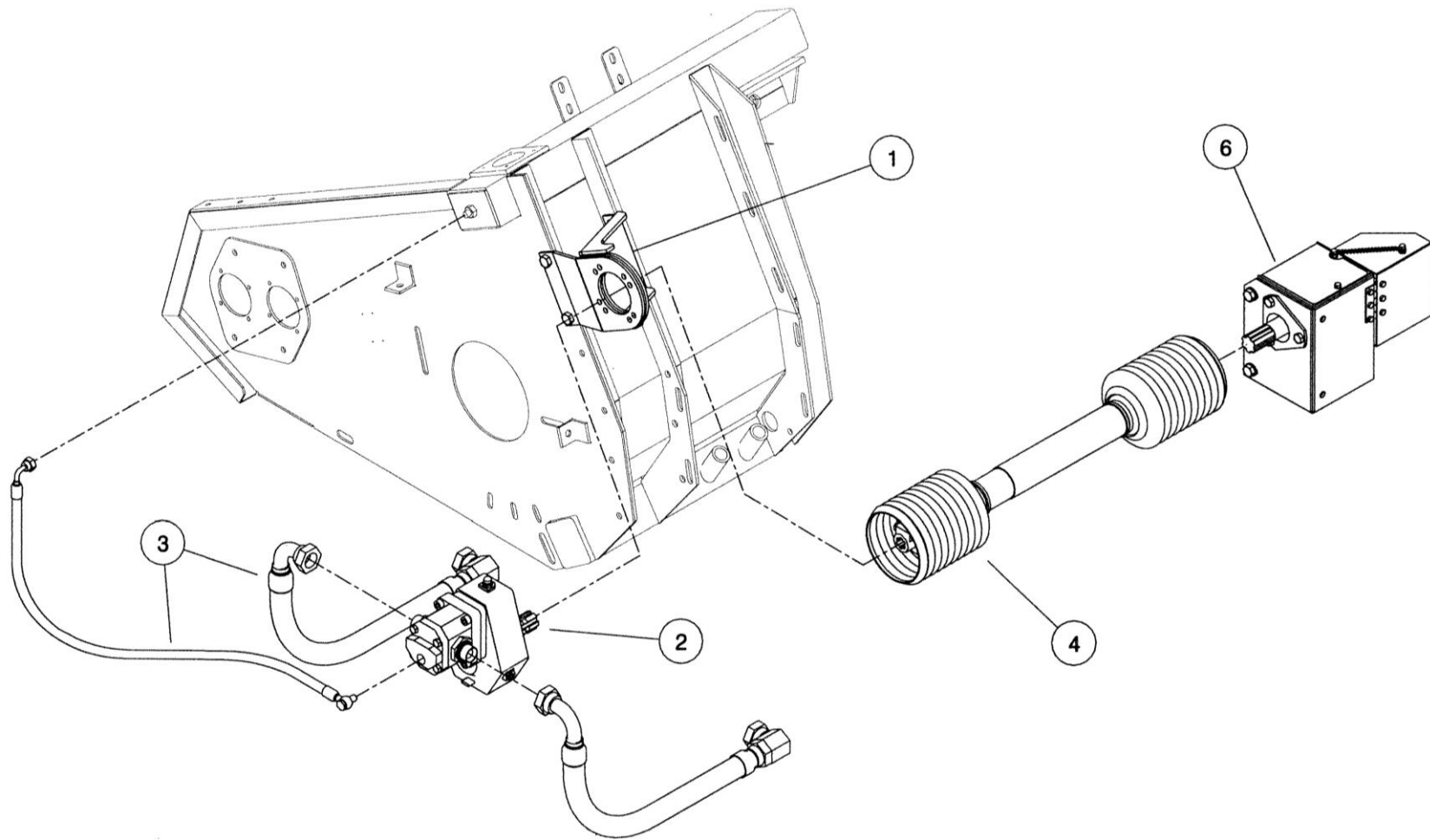
ASSY NUMBER:209902 052				ASSY DESCRIPTION: P.U.H DRIVE KIT - D.FAHR(ST.TRK) & CASE CF80			
ITEM	PART NUMBER	DESCRIPPTION	QTY	ITEM	PART NUMBER	DESCRIPTION	QTY
1	KIT-00221	EX.L DRIVE SUP.BRKT.KIT.	1				
2	KIT-02406	HYD.PUMP & GEARBOX ASSY	1				
3	KIT-02530	HYD.HOSE KIT	1				
4	PTO-21000	PTO SHAFT ASSY(W2200,510cc	1				
5	KIT-00931	PTO SUPPORT KIT	1				



209902 011/012/051/052/112

Shelbourne Reynolds Engineering Limited

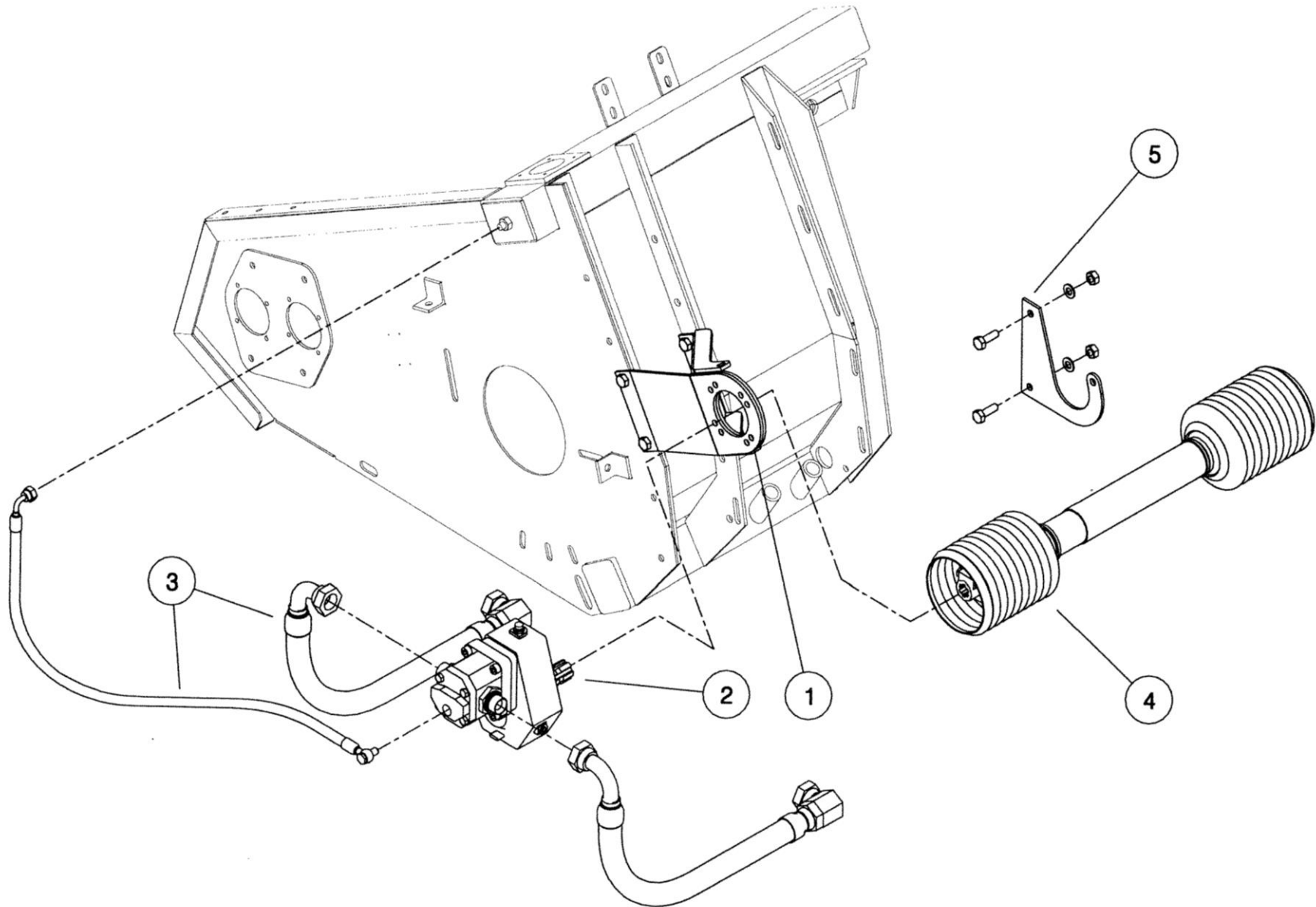
ASSY NUMBER:209902 071				ASSY DESCRIPTION: P.U.H DRIVE KIT - NH (15,80 SO.DRIVE)			
ITEM	PART NUMBER	DESCRIPPTION	QTY	ITEM	PART NUMBER	DESCRIPTION	QTY
1	KIT-00220	SHORT DRIVE SUPP.BRKT.KIT.	1				
2	KIT-02406	HYD.PUMP & GEARBOX ASSY (INCLUDING HYD. FITTINGS)	1				
3	KIT-02530	HYD.HOSE KIT	1				
4	PTO-21004	PTO SHAFT ASSY (W2200,280cc BOTH ENDS 1 3/8"x 6 SPL.)	1				
5							
6	KIT-00310	BEARING BOX ASSY	1				



209902 071

Shelbourne Reynolds Engineering Limited

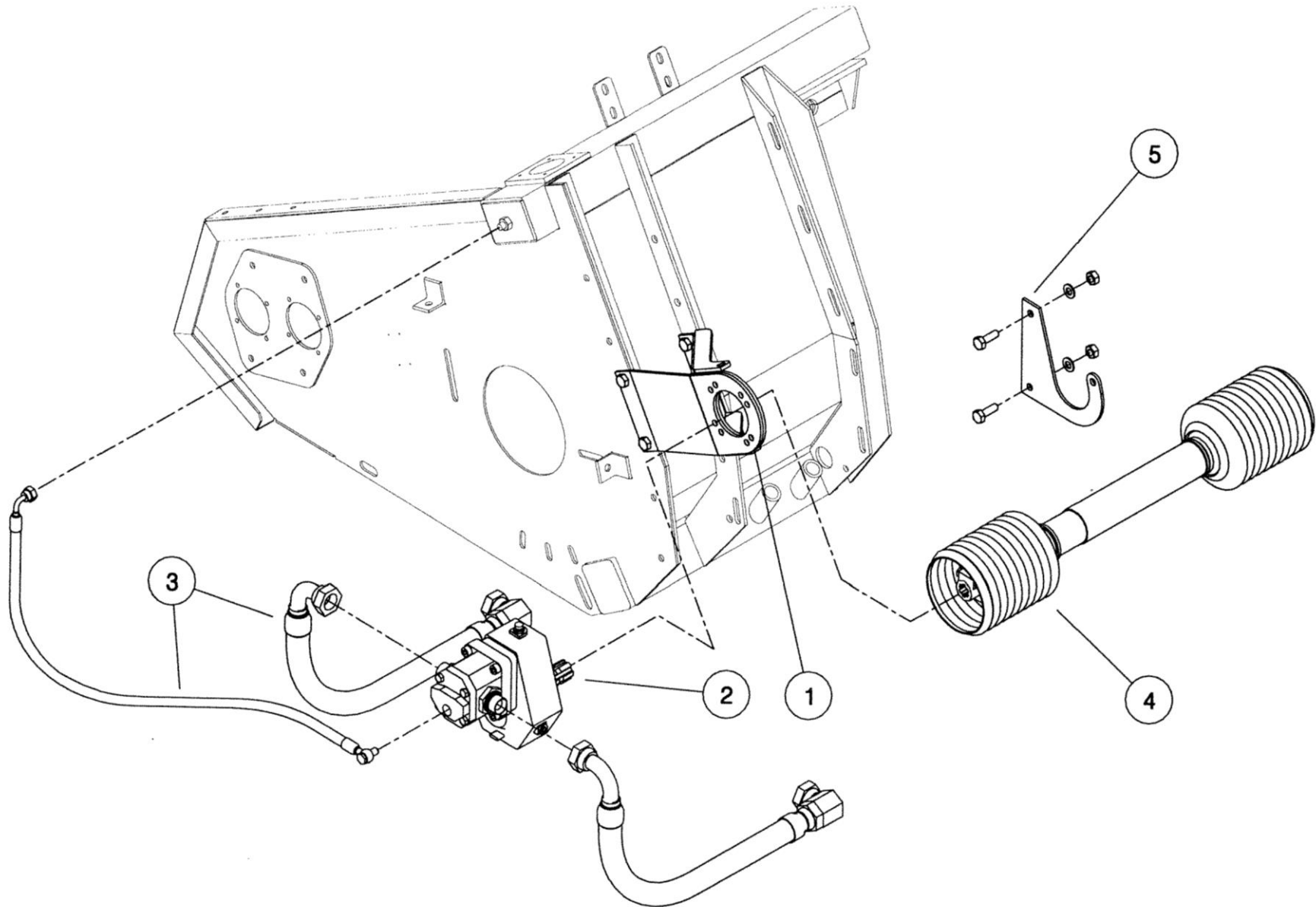
ASSY NUMBER:209902 111				ASSY DESCRIPTION: P.U.H DRIVE KIT - MF (30-40 PRE AUTO)			
ITEM	PART NUMBER	DESCRIPPTION	QTY	ITEM	PART NUMBER	DESCRIPTION	QTY
1	KIT-00220	SHORT DRIVE SUPP.BRKT.KIT.	1				
2	KIT-02408	HYD.PUMP & GEARBOX ASSY (INCLUDING HYD. FITTINGS)	1				
3	KIT-02530	HYD.HOSE KIT	1				
4	PTO-21002	PTO SHAFT ASSY(W2200,410cc BOTH ENDS 1 3/8"x 6 SPL.)	1				
5	KIT-00931	PTO SUPPORT KIT	1				



209902 011/012 /013 /051/052/112 /113

Shelbourne Reynolds Engineering Limited

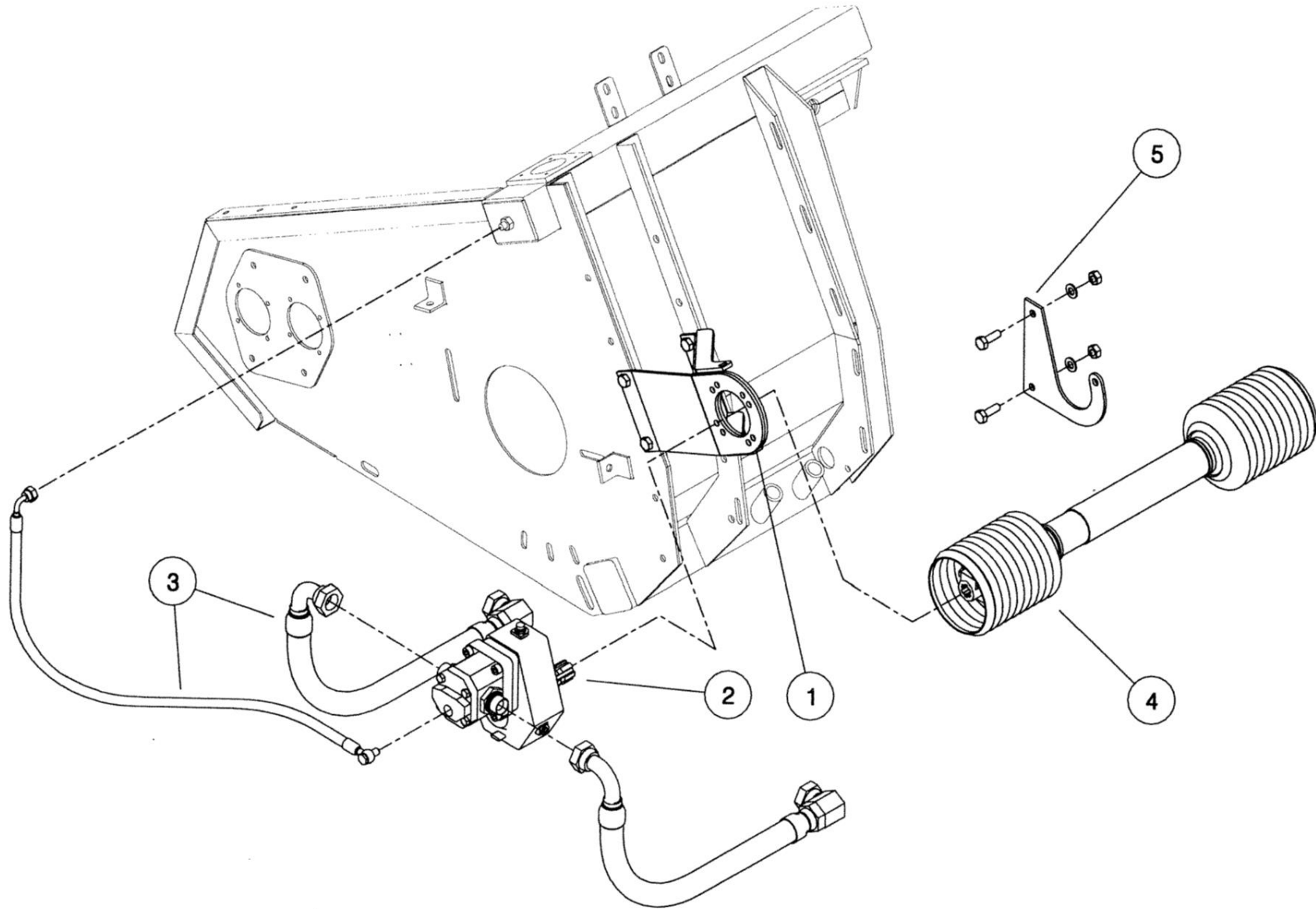
ASSY NUMBER:209902 112				ASSY DESCRIPTION: P.U.H DRIVE KIT - MF (30-40 AUTO LEV.)			
ITEM	PART NUMBER	DESCRIPPTION	QTY	ITEM	PART NUMBER	DESCRIPTION	QTY
1	KIT-00221	SHORT DRIVE SUPP.BRKT.KIT.	1				
2	KIT-02408	HYD.PUMP & GEARBOX ASSY (INCLUDING HYD. FITTINGS)	1				
3	KIT-02530	HYD.HOSE KIT	1				
4	PTO-21002	PTO SHAFT ASSY(W2200,410cc BOTH ENDS 1 3/8"x 6 SPL.)	1				
5	KIT-00931	PTO SUPPORT KIT	1				



209902 011/012 /013 /051/052/112 /113

Shelbourne Reynolds Engineering Limited

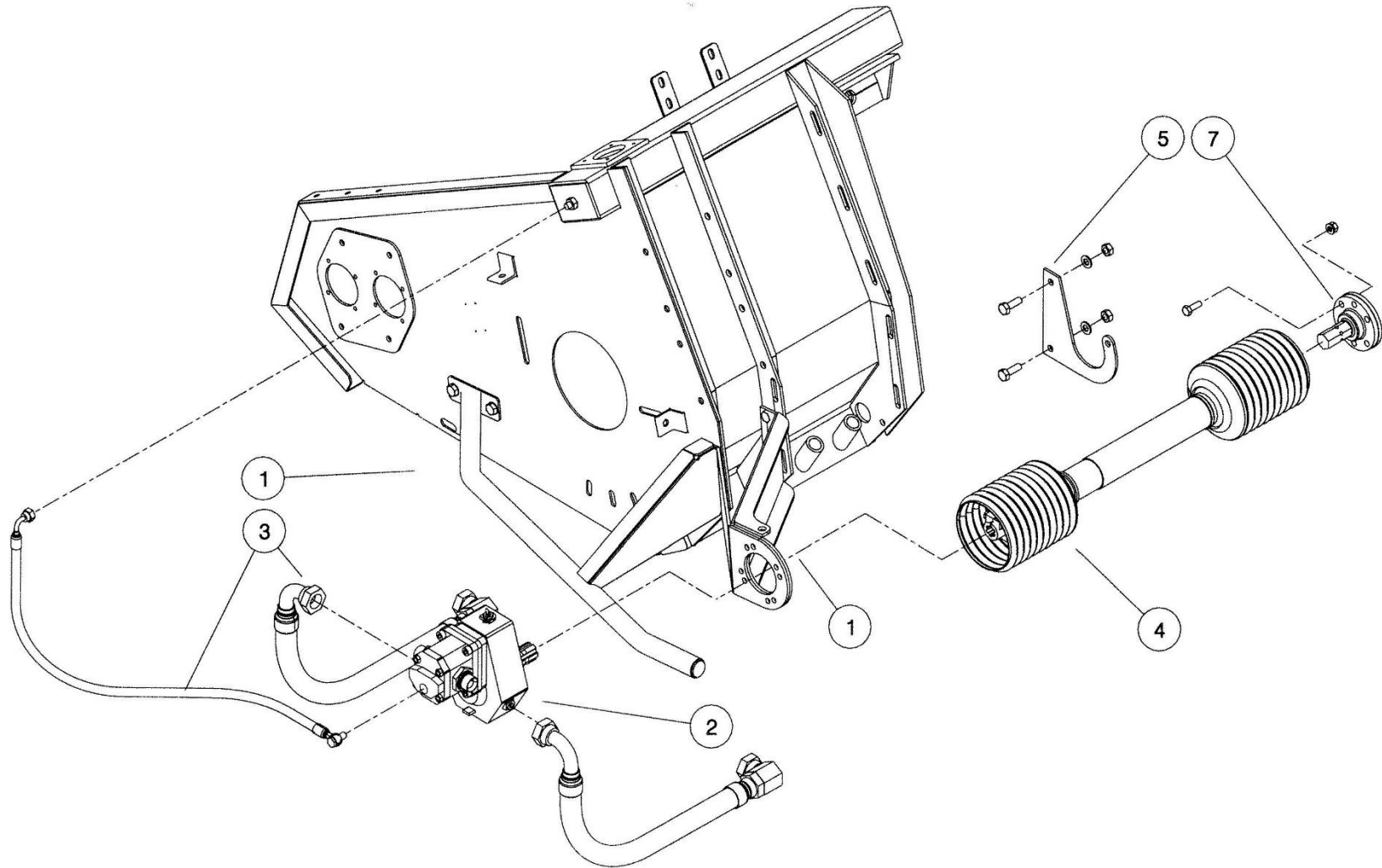
ASSY NUMBER:209902 113				ASSY DESCRIPTION: P.U.H DRIVE KIT - MF CERA/BETA 2007			
ITEM	PART NUMBER	DESCRIPPTION	QTY	ITEM	PART NUMBER	DESCRIPTION	QTY
1	KIT-00220	SHORT DRIVE SUPP.BRKT.KIT.	1				
2	KIT-02409	HYD.PUMP & GEARBOX ASSY (INCLUDING HYD. FITTINGS)	1				
3	KIT-02530	HYD.HOSE KIT	1				
4	PTO-21003	PTO SHAFT ASSY(W2200,410cc	1				
5	KIT-00931	PTO SUPPORT KIT	1				



209902 011/012 /013 /051/052 /112 /113

Shelbourne Reynolds Engineering Limited

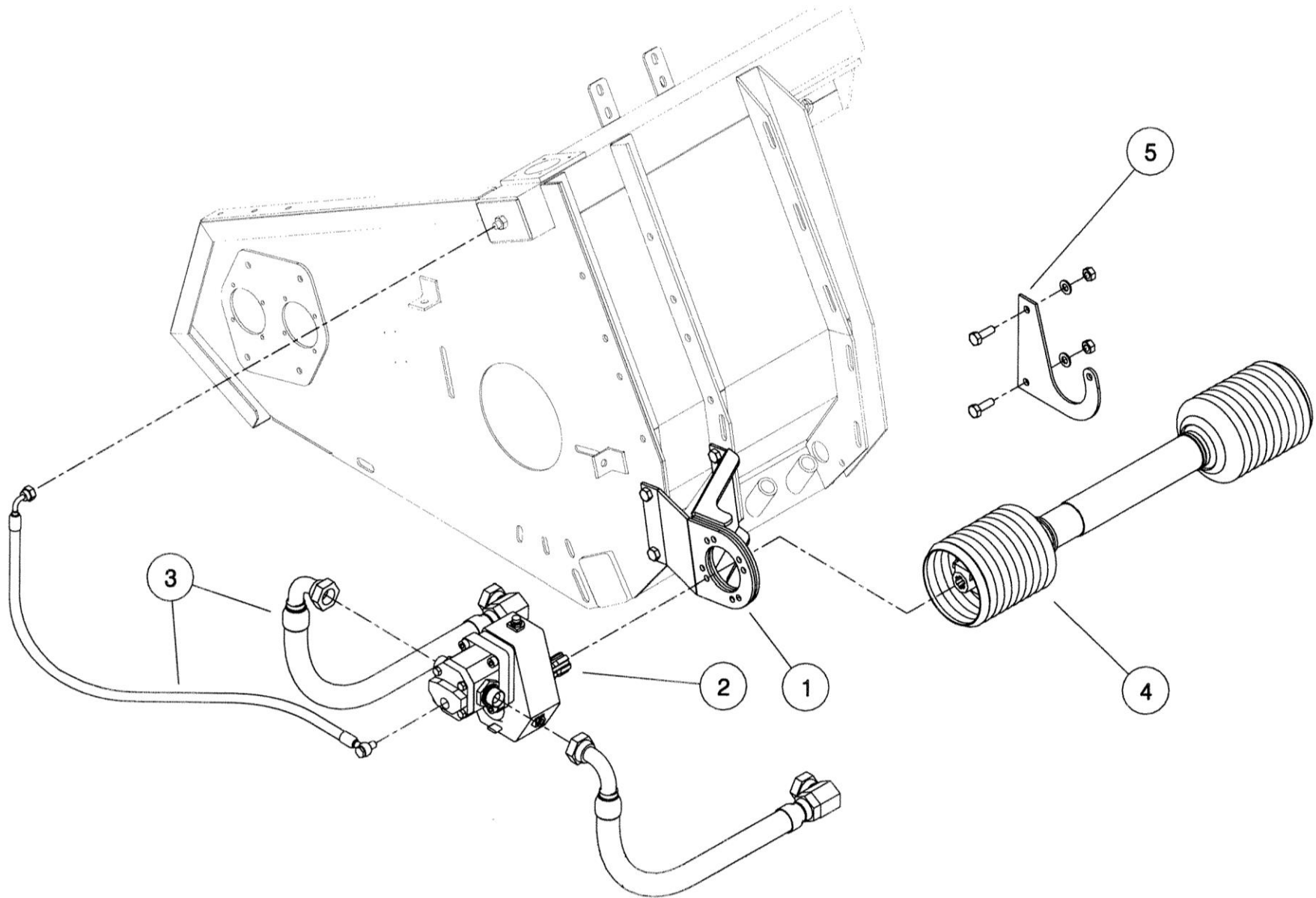
ASSY NUMBER:209902 151				ASSY DESCRIPTION: P.U.H DRIVE KIT - USA JD 9600/8820			
ITEM	PART NUMBER	DESCRIPPTION	QTY	ITEM	PART NUMBER	DESCRIPTION	QTY
1	KIT-00221	LONG WIDE DR.SUPP.BRKT.KIT	1				
2	KIT-02406	HYD.PUMP & GEARBOX ASSY (INCLUDING HYD. FITTINGS)	1				
3	KIT-02531	HYD.HOSE KIT	1				
4	PTO-21007	PTO SHAFT ASSY(W2200,410cc 1 1/8"HEX & 1 3/8"x 6SPL.)	1				
5	KIT-00931	PTO SUPPORT KIT	1				
6							
7	KIT-00975	JD DRIVE COUPL. ADAPT. KIT	1				



209902 151

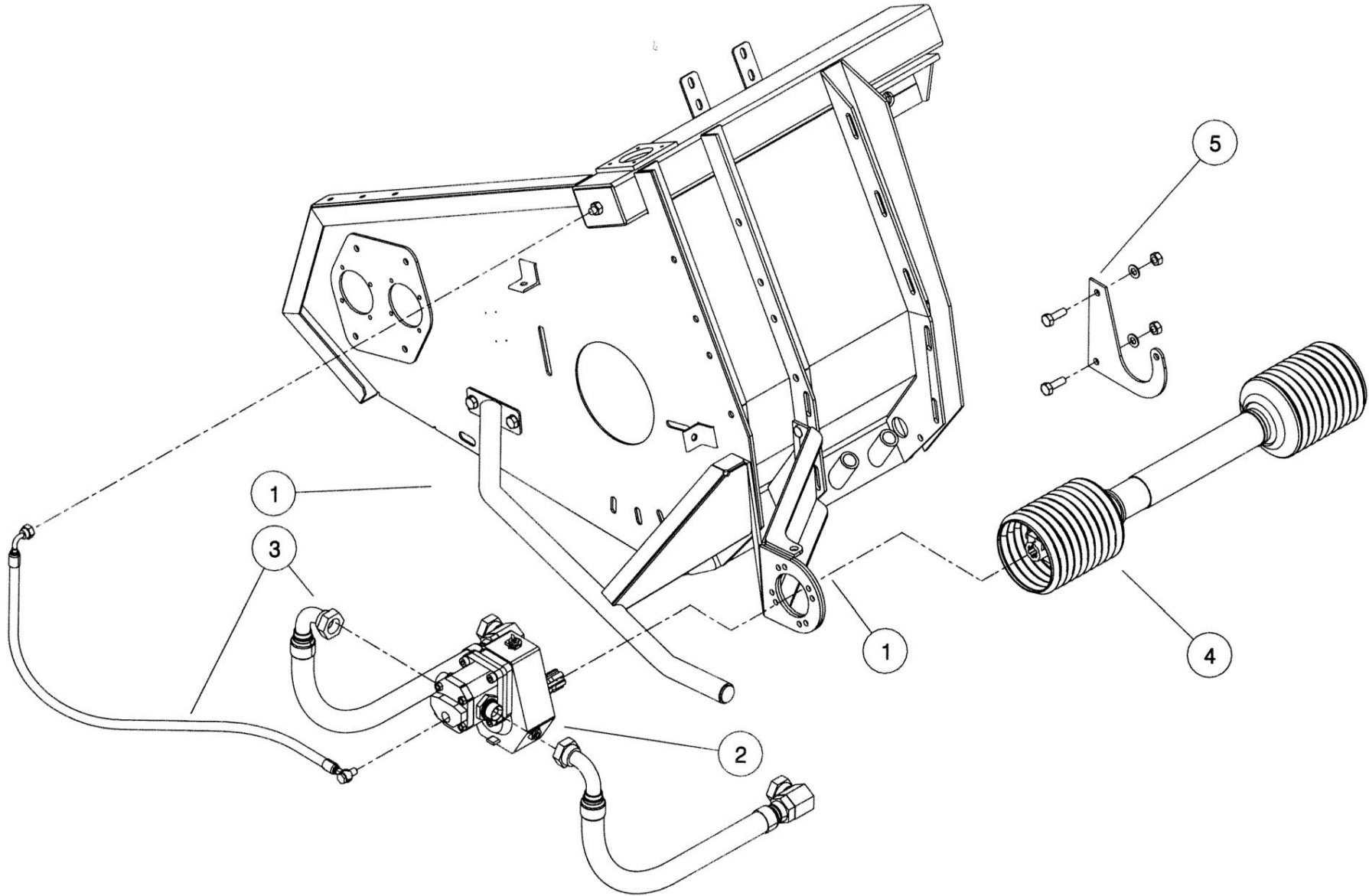
Shelbourne Reynolds Engineering Limited

ASSY NUMBER:209902 171				ASSY DESCRIPTION: P.U.H DRIVE KIT - JD 'Z' (6 WALK.LL)			
ITEM	PART NUMBER	DESCRIPPTION	QTY	ITEM	PART NUMBER	DESCRIPTION	QTY
1	KIT-00220	SHORT DRIVE SUPP.BRKT.KIT.	1				
2	KIT-02406	HYD.PUMP & GEARBOX ASSY (INCLUDING HYD. FITTINGS)	1				
3	KIT-02530	HYD.HOSE KIT	1				
4	PTO-21005	PTO SHAFT ASSY(W2200,280cc 1 3/8"x 21&1 3/8"x 6SPL	1				
5	KIT-00931	PTO SUPPORT KIT	1				



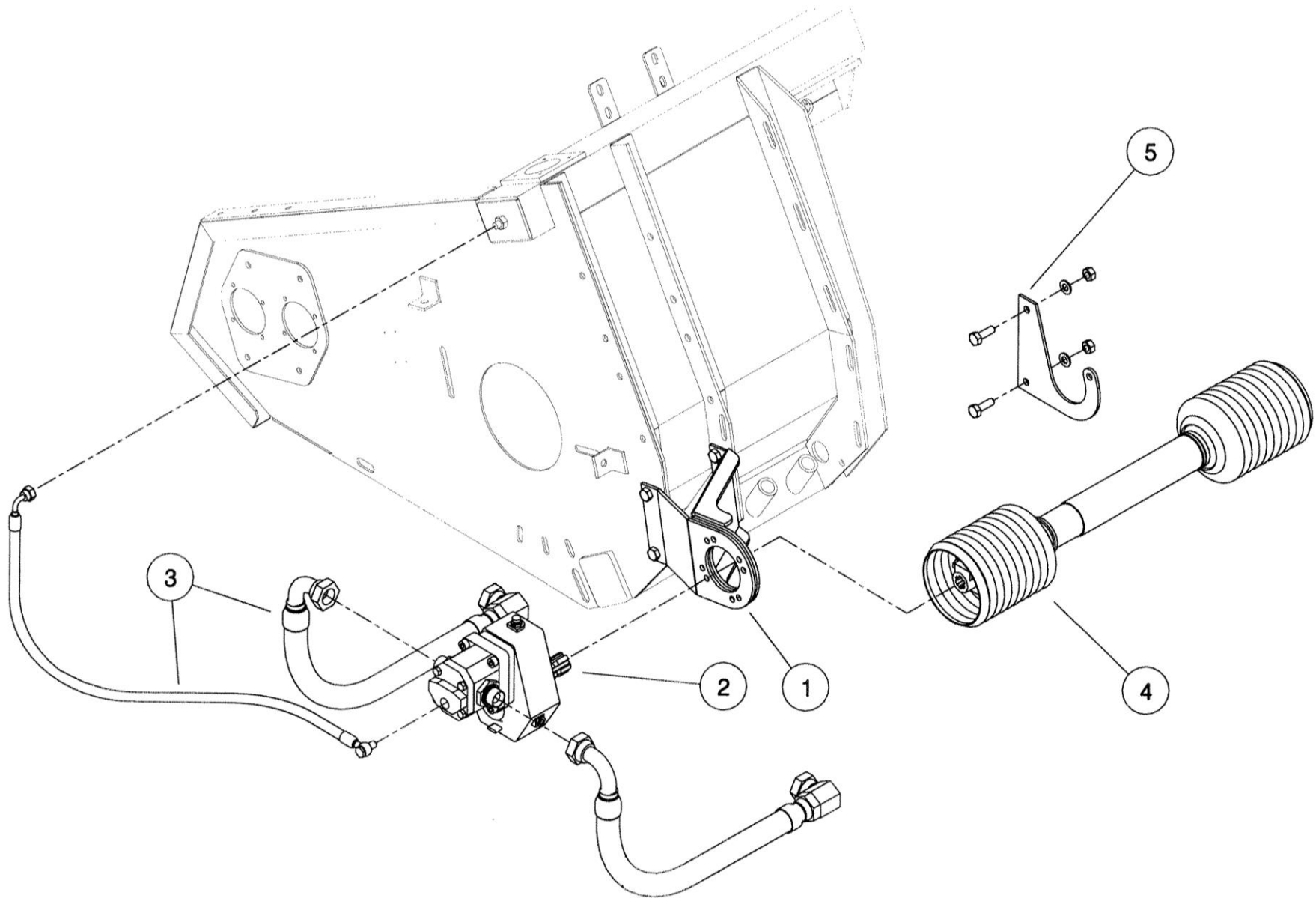
Shelbourne Reynolds Engineering Limited

ASSY NUMBER:209902 172				ASSY DESCRIPTION: P.U.H DRIVE KIT - JD 'Z' (6 WALK.H.M.)			
ITEM	PART NUMBER	DESCRIPPTION	QTY	ITEM	PART NUMBER	DESCRIPTION	QTY
1	KIT-00223	LONG WIDE DR.SUPP.BRKT.KIT	1				
2	KIT-02406	HYD.PUMP & GEARBOX ASSY (INCLUDING HYD. FITTINGS)	1				
3	KIT-02531	HYD.HOSE KIT	1				
4	PTO-21003	PTO SHAFT ASSY (W2200,410cc 1 3/8"x 21&1 3/8"x 6 SPL.)	1				
5	KIT-00931	PTO SUPPORT KIT	1				
		MOUNT DRIVE SUPPORT BRACKET IN BOTTOM POSITION.					



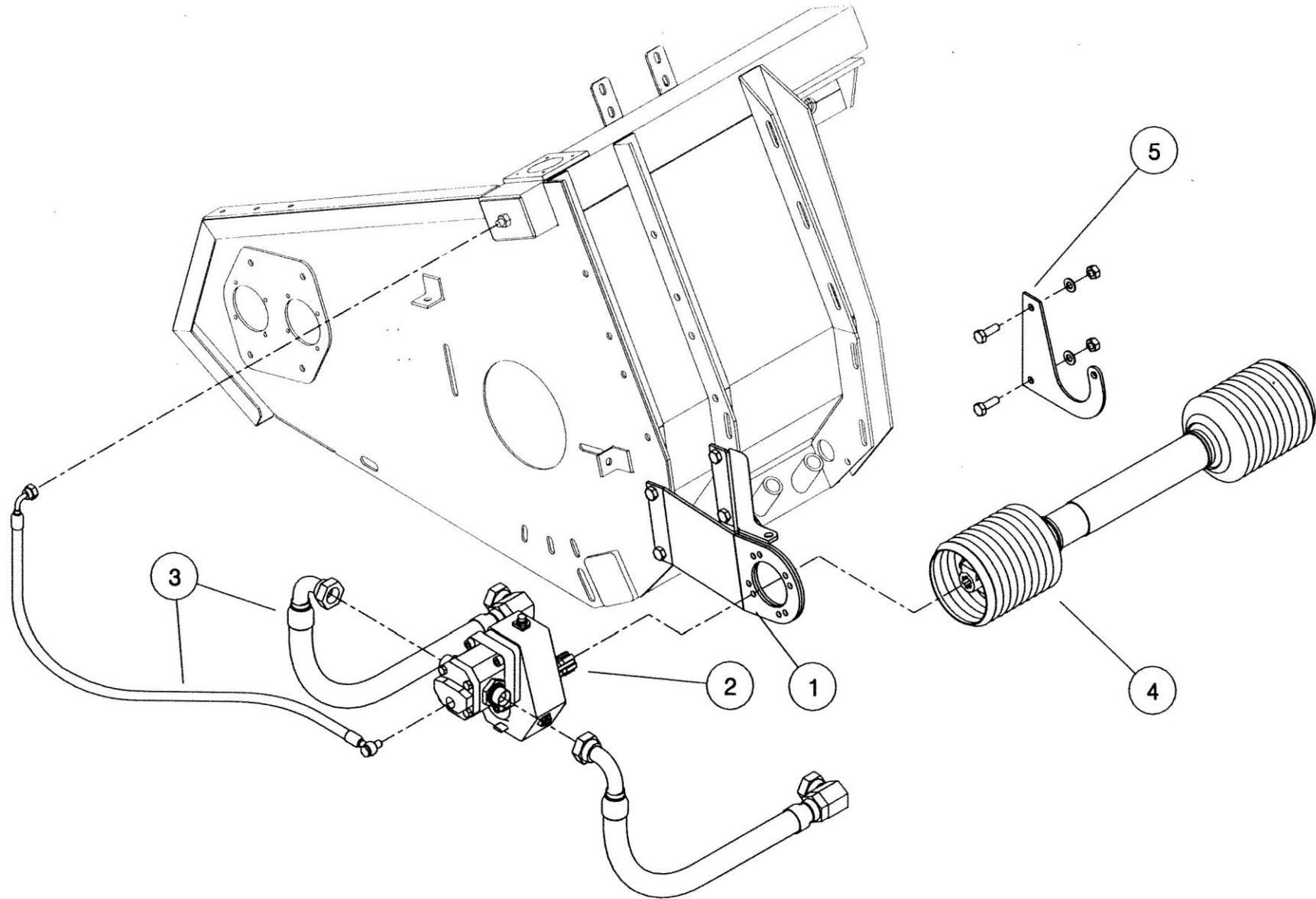
Shelbourne Reynolds Engineering Limited

ASSY NUMBER:209902 173				ASSY DESCRIPTION: P.U.H DRIVE KIT - JD 'Z' (5 WALK.LL)			
ITEM	PART NUMBER	DESCRIPPTION	QTY	ITEM	PART NUMBER	DESCRIPTION	QTY
1	KIT-00220	SHORT DRIVE SUPP.BRKT.KIT.	1				
2	KIT-02406	HYD.PUMP & GEARBOX ASSY (INCLUDING HYD. FITTINGS)	1				
3	KIT-02530	HYD.HOSE KIT	1				
4	PTO-21003	PTO SHAFT ASSY(W2200,410cc 1 3/8"x 21&1 3/8"x 6 SPL.)	1				
5	KIT-00931	PTO SUPPORT KIT	1				



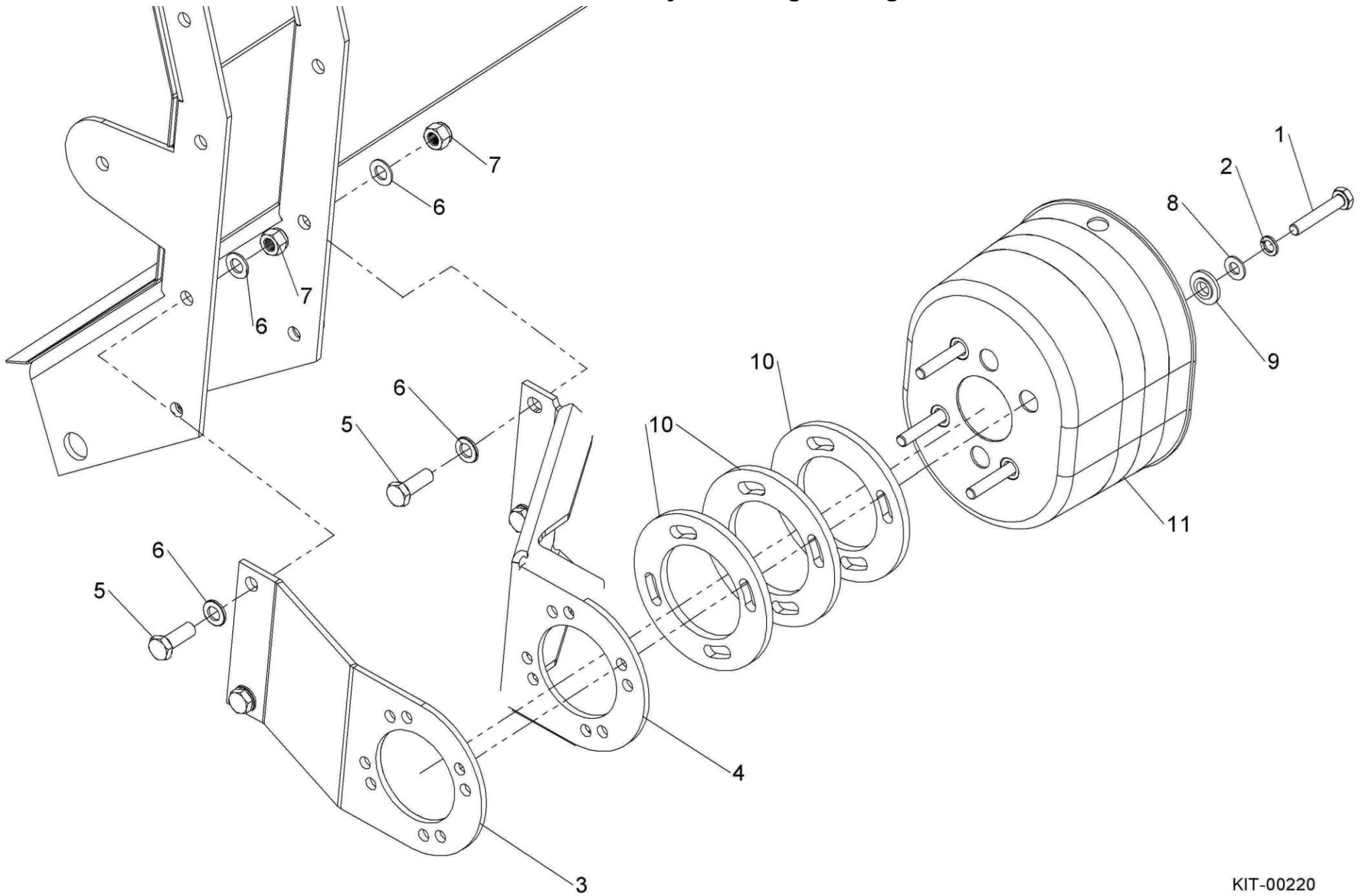
Shelbourne Reynolds Engineering Limited

ASSY NUMBER:209902 174				ASSY DESCRIPTION: P.U.H DRIVE KIT - JD 'Z' (5 WALK.H.M.)			
ITEM	PART NUMBER	DESCRIPPTION	QTY	ITEM	PART NUMBER	DESCRIPTION	QTY
1	KIT-00221	LONG DRIVE SUPP.BRKT.KIT.	1				
2	KIT-02406	HYD.PUMP & GEARBOX ASSY (INCLUDING HYD. FITTINGS)	1				
3	KIT-02530	HYD.HOSE KIT	1				
4	PTO-21003	PTO SHAFT ASSY(W2200,410cc 1 3/8"x 21&1 3/8"x 6 SPL.)	1				
5	KIT-00931	PTO SUPPORT KIT	1				



Shelbourne Reynolds Engineering Limited

ASSY NUMBER: KIT-00220				ASSY DESCRIPTION: SHORT DRIVE SUPPORT BRACKET KIT			
ITEM	PART NO	DESCRIPTION	QTY	ITEM	PART NO	DESCRIPTION	QTY
1	BLTA10380	SETSCREW 2014 & ON	4				
OR	HSS-0191	SETSCREW PRE 2014					
2	WSH-0061	SPRING WASHER	4				
3	200285 01	SHORT OUTER GBOX BRKT	1				
4	200286 01	SHORT INNER GBOX BRKT	1				
5	HSS-0241	SET SCREW	4				
6	WSH-0018	PLAIN WASHER	8				
7	NUT-0269	NYLOC NUT	4				
8	WSH-0015	PLAIN WASHER	4				
9	800407 01	SPACER-GEARBOX MOUNT.	4				
10	200578 01	SPACER PLATE	3				
11	PTO-00962	PTO MACHINE CONE	1				

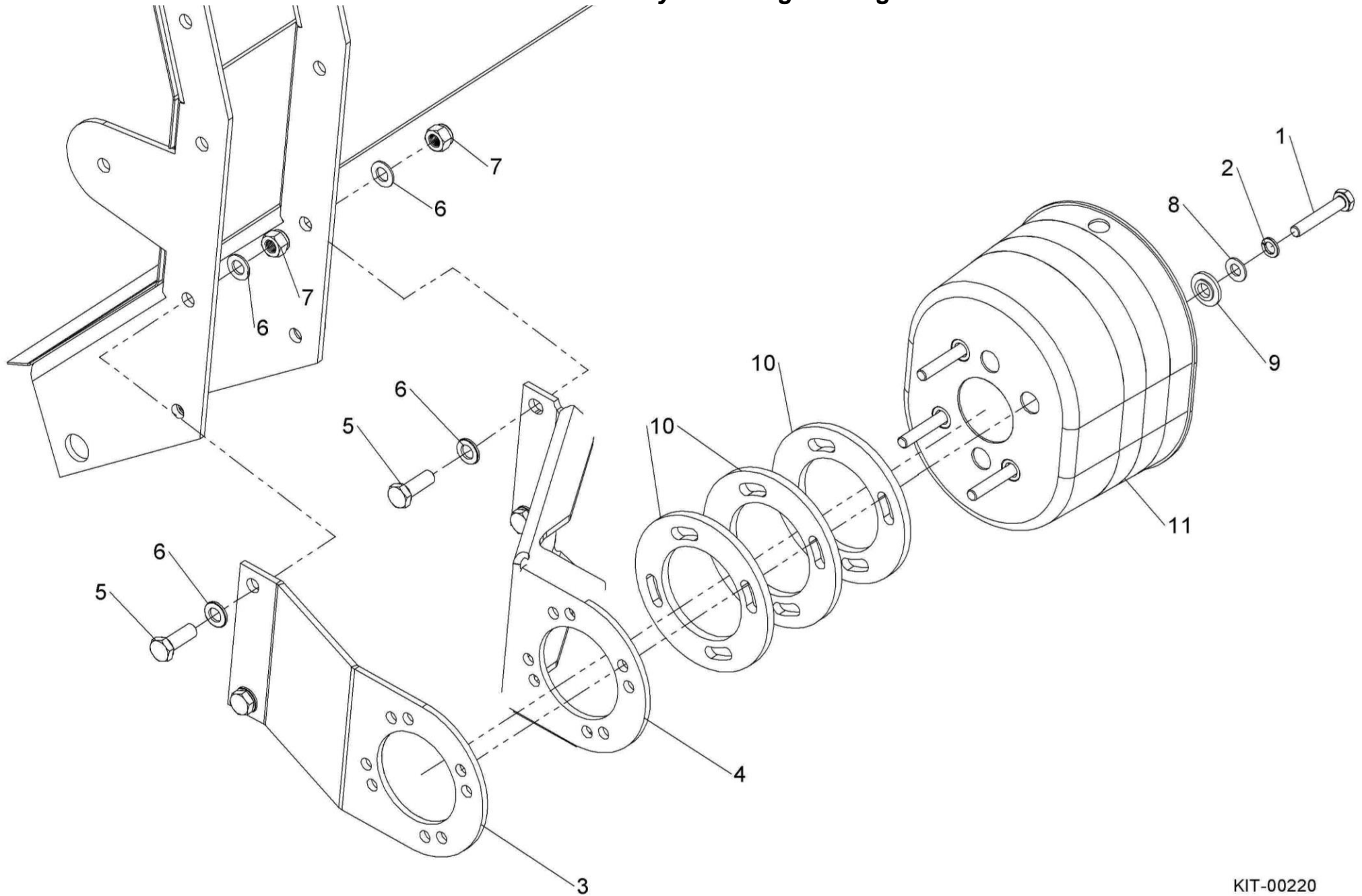


KIT-00220



Shelbourne Reynolds Engineering Limited

ASSY NUMBER: KIT-00221				ASSY DESCRIPTION: LONG DRIVE SUPPORT BRACKET KIT			
ITEM	PART NO	DESCRIPTION	QTY	ITEM	PART NO	DESCRIPTION	QTY
1	BLTA10380	HEX.HEAD BOLT	4				
OR	HSS-0191	SETSCREW PRE 2014					
2	WSH-0061	SPRING WASHER	4				
3	200283 01	LONG OUTER GBOX BRKT	1				
4	200284 01	LONG INNER GBOX BRKT	1				
5	HSS-0241	SET SCREW	4				
6	WSH-0018	PLAIN WASHER	8				
7	NUT-0269	NYLOC NUT	4				
8	WSH-0015	PLAIN WASHER	4				
9	800407 01	SPACER-GEARBOX MOUNT.	4				
10	200578 01	SPACER PLATE	3				
11	PTO-00962	PTO MACHINE CONE	1				

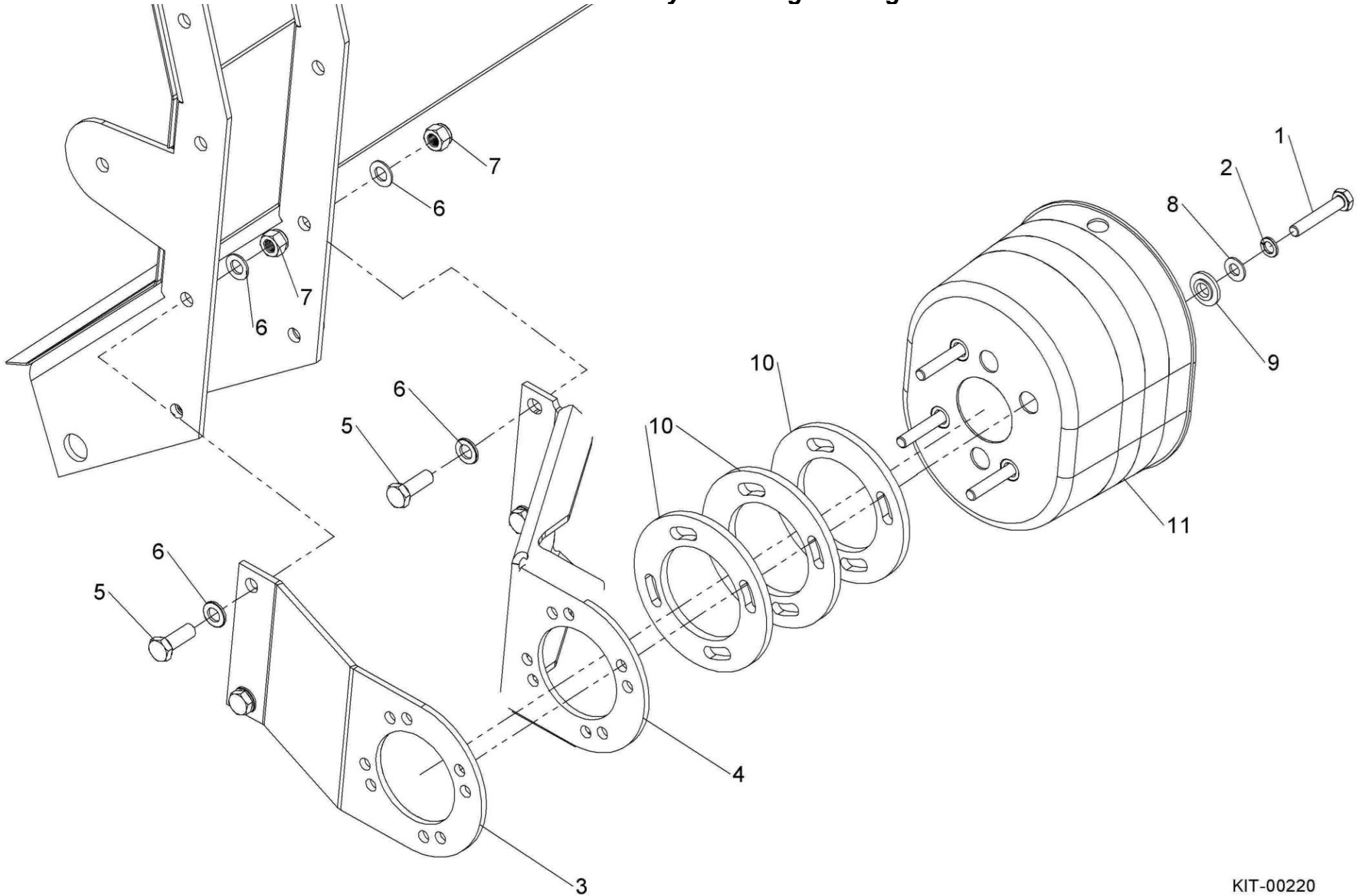


KIT-00220



Shelbourne Reynolds Engineering Limited

ASSY NUMBER: KIT-00222				ASSY DESCRIPTION: EX.LONG DRIVE SUPP.BRKT.			
ITEM	PART NO	DESCRIPTION	QTY	ITEM	PART NO	DESCRIPTION	QTY
1	BLTA10380	HEX.HEAD BOLT	4				
OR	HSS-0191	SETSCREW PRE 2014					
2	WSH-0061	SPRING WASHER	4				
3	200295 01	EX.LONG OUT.G.B.BRKT	1				
4	200296 01	EX.LONG INER G.B.BRKT	1				
5	HSS-0241	SET SCREW	4				
6	WSH-0018	PLAIN WASHER	8				
7	NUT-0269	NYLOC NUT	4				
8	WSH-0015	PLAIN WASHER	4				
9	800407 01	SPACER-GEARBOX MOUNT.	4				
10	200578 01	SPACER PLATE	3				
11	PTO-00962	PTO MACHINE CONE	1				

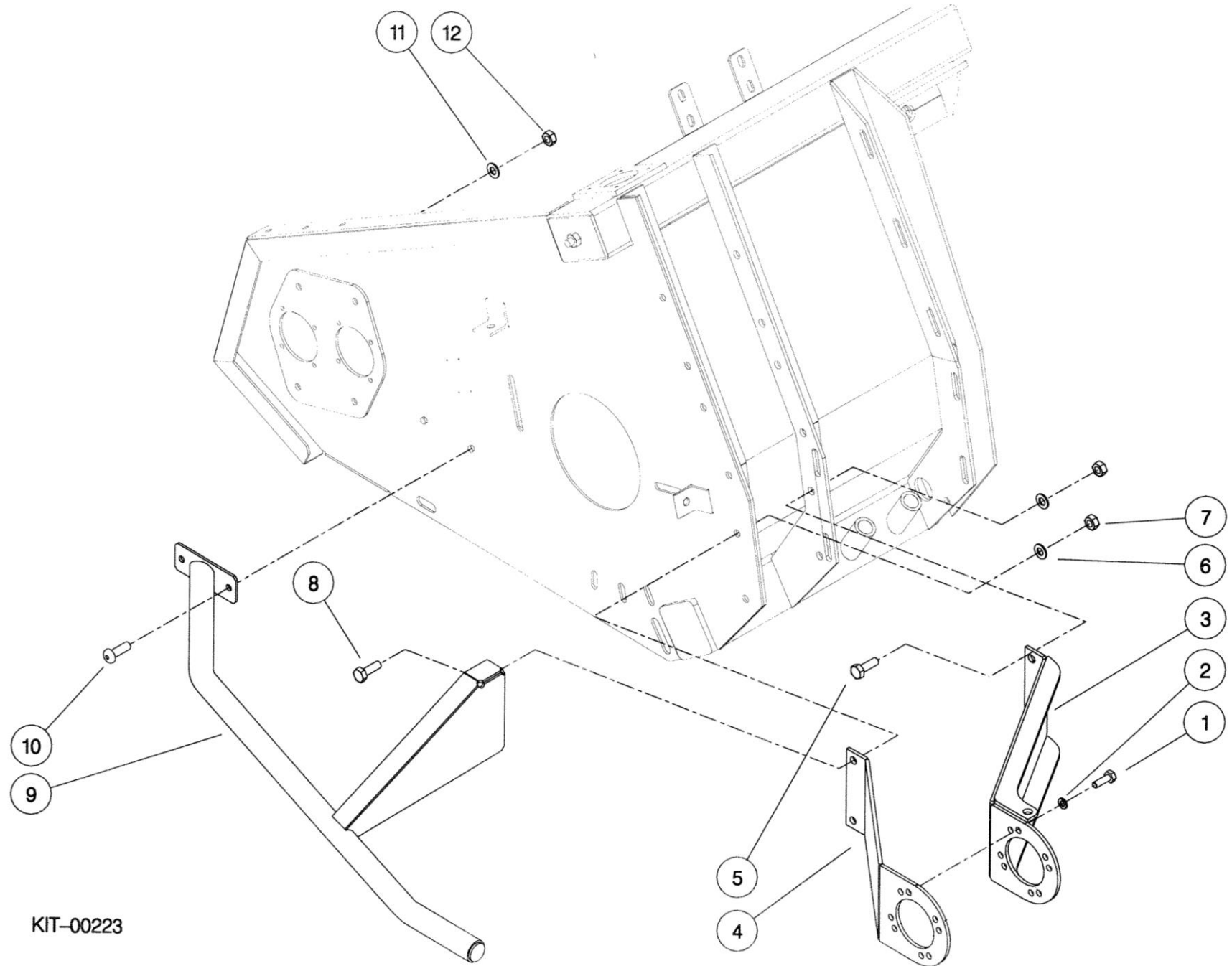


KIT-00220



Shelbourne Reynolds Engineering Limited

ASSY NUMBER:KIT-00223				ASSY DESCRIPTION: LONG WIDE DRIVE SUPPORT BRKT KIT			
ITEM	PART NUMBER	DESCRIPPTION	QTY	ITEM	PART NUMBER	DESCRIPTION	QTY
1	HSS-0191	SETSCREW (M10x25)	4				
2	WSH-0061	WASHER (M10 SPRING)	4				
3	200298 01	LONG WIDE OUTER GBOX BRKT	1				
4	200297 01	LONG WIDE INNER GBOX BRKT	1				
5	HSS-0241	SETSCREW (M12x35)	2				
6	WSH-0018	WASHER (M12 PLAIN)	4				
7	NUT-0269	NUT (M12 NYLOC)	4				
8	HSS-0250	SETSCREW (M12x40mm)	2				
9	200299 01	GUARD RAIL WELD ASSY	1				
10	SCW-0516	BUTT.SOC.HD.SCREW (M10x30mm)	2				
11	WSH-0015	PLAIN WASHER (10mm)	2				
12	NUT-0265	NYLOC NUT (M10)	2				

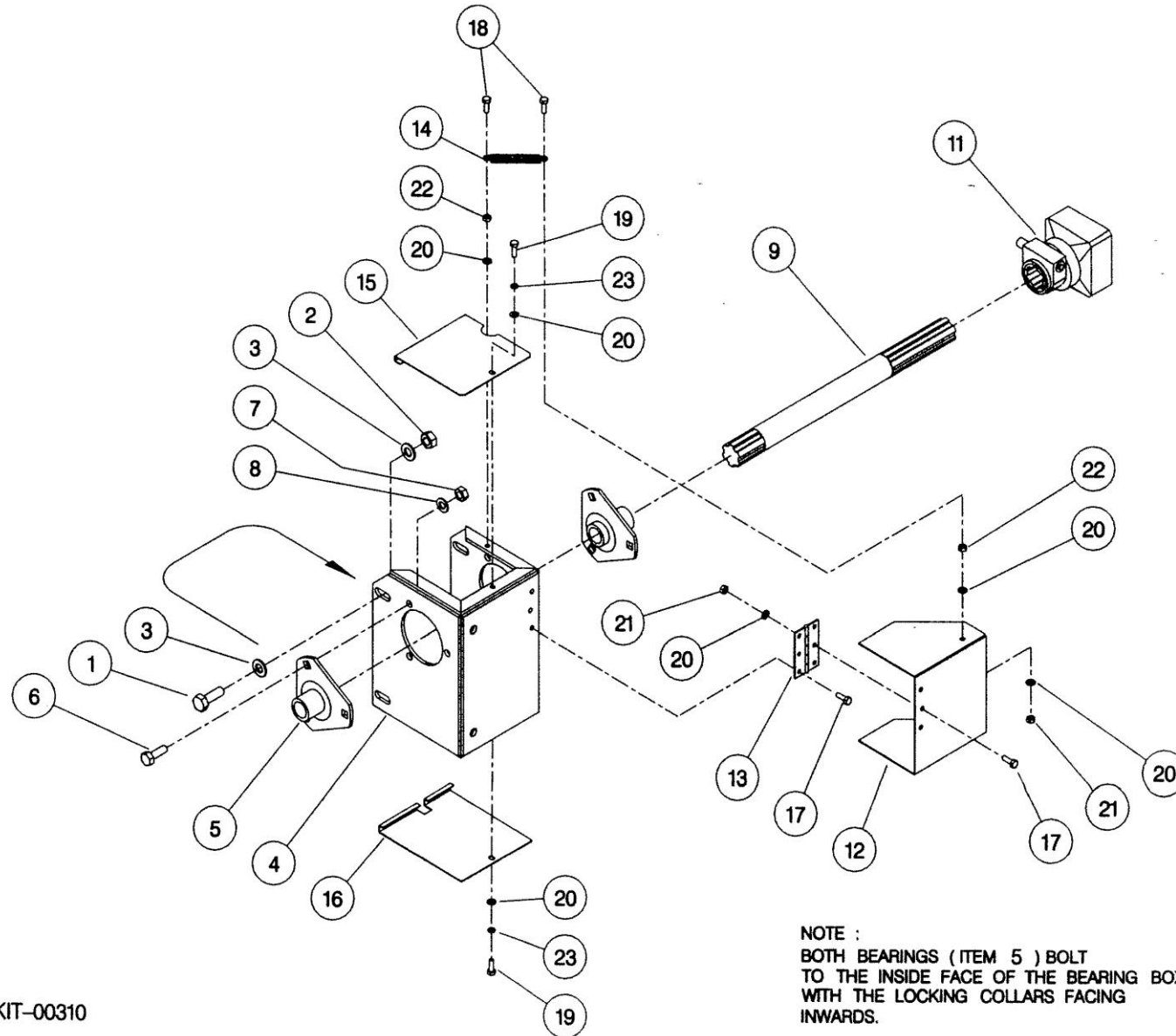


KIT-00223

Shelbourne Reynolds Engineering Limited

ASSY NUMBER: KIT-00310				ASSY DESCRIPTION: BEARING BOX ASSEMBLY (NH SQ.DRV.)			
ITEM	PART NO	DESCRIPTION	QTY	ITEM	PART NO	DESCRIPTION	QTY
1	HSS-0238	SET SCREW	4				
2	NUT-0269	NYLOC NUT	4				
3	WSH-0015	PLAIN WASHER	4				
4	191148 04	BEARING BOX	1				
5	BRG-3220	BEARING	2				
6	HSS-0191	SET SCREW	6				
7	NUT-0265	NYLOC NUT	6				
8	WSH-0015	PLAIN WASHER	6				
9	190767 01	INPUT SHAFT	1				
10							
11	190597 01	DRIVE COUPLING	1				
12	190938 01	COUPLING COVER	1				
13	HIN-0100	HINGE	1				
14	SPG-0005	SPRING	1				
15	191378 01	COVER PLATE	1				
16	191379 01	COVER PLATE	1				
17	HSS-0082	SET SCREW	6				
18	HSS-0086	SET SCREW	2				
19	HSS-0084	SET SCREW	2				
20	WSH-0009	PLAIN WASHER	12				
21	NUT-0260	NYLOC NUT	8				
22	NUT-0160	PLAIN NUT	2				
23	WSH-0056	SPRING WASHER	2				

Shelbourne Reynolds Engineering Limited

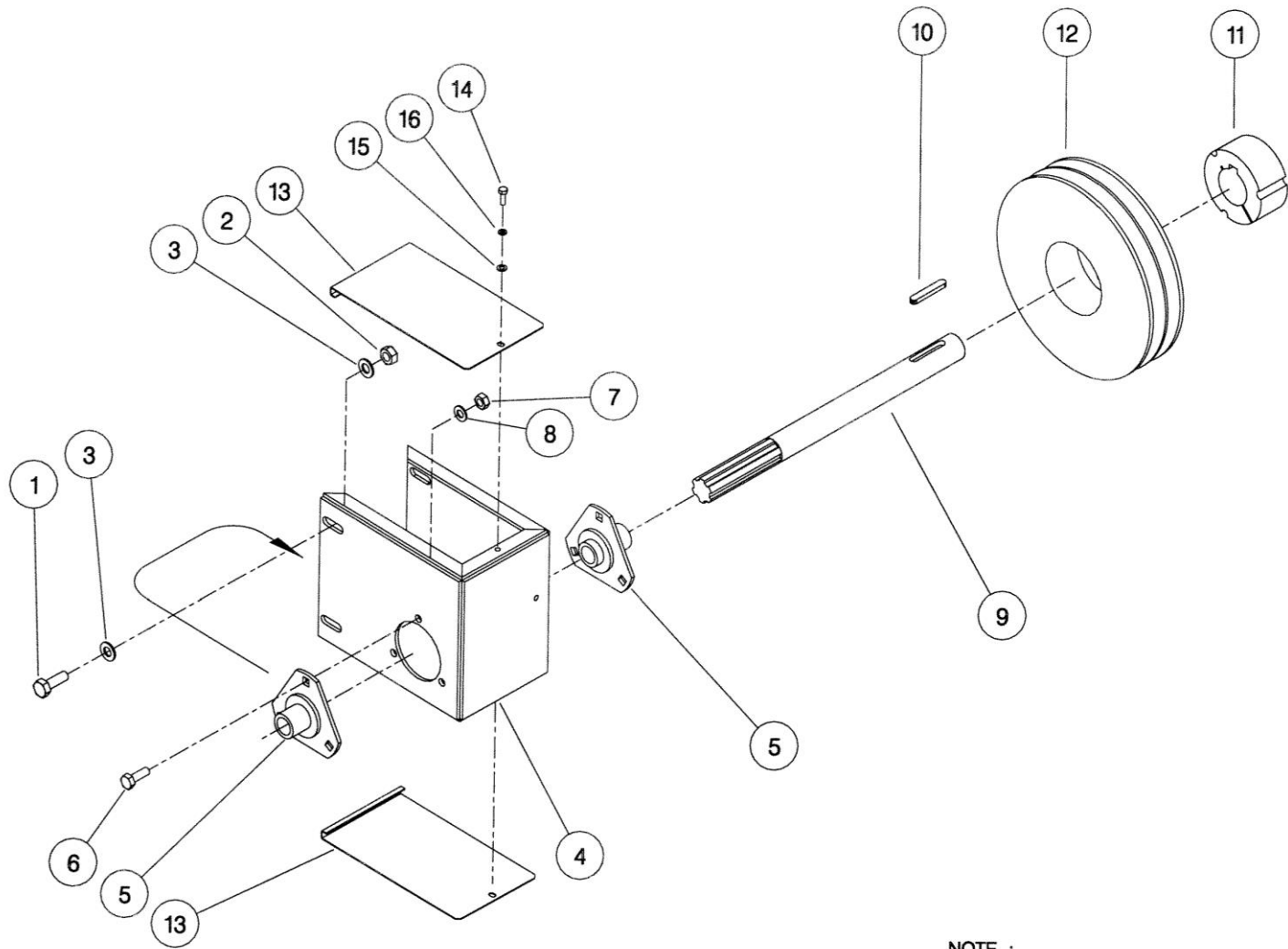


NOTE :
BOTH BEARINGS (ITEM 5) BOLT
TO THE INSIDE FACE OF THE BEARING BOX,
WITH THE LOCKING COLLARS FACING
INWARDS.

KIT-00310

Shelbourne Reynolds Engineering Limited

ASSY NUMBER:KIT-00311				ASSY DESCRIPTION:BEARING BOX ASSY (MF-DRON)			
ITEM	PART NUMBER	DESCRIPPTION	QTY	ITEM	PART NUMBER	DESCRIPTION	QTY
1	HSS-0238	SET SCREW (M12x30mm)	4				
2	NUT-0269	NYLOC NUT (M12)	4				
3	WSH-0018	PLAIN WASHER (12mm)	8				
4	191148 07	BEARING BOX ASSY	1				
5	BRG-3220	BEARING (PFD 35 FM)	2				
6	HSS-0191	SET SCREW (M10x25mm)	6				
7	NUT-0265	NYLOC NUT (M10)	6				
8	WSH-0015	PLAIN WASHER (10mm)	6				
9	200497 01	INPUT DRIVE SHAFT	1				
10	K1008060	KEY (10x8x60mm)	1				
11	BSH-2278	TAPER LOCK BUSH (3020 35)	1				
12	PUL-0060	PULLEY (265x2SPC)	1				
13	191356 01	BEARING BOX COVER PLATE	2				
14	HSS-0084	SET SCREW (M6x16mm)	2				
15	WSH-0009	PLAIN WASHER (6mm)	2				
16	WSH-0056	SPRING WASHER (6mm)	2				

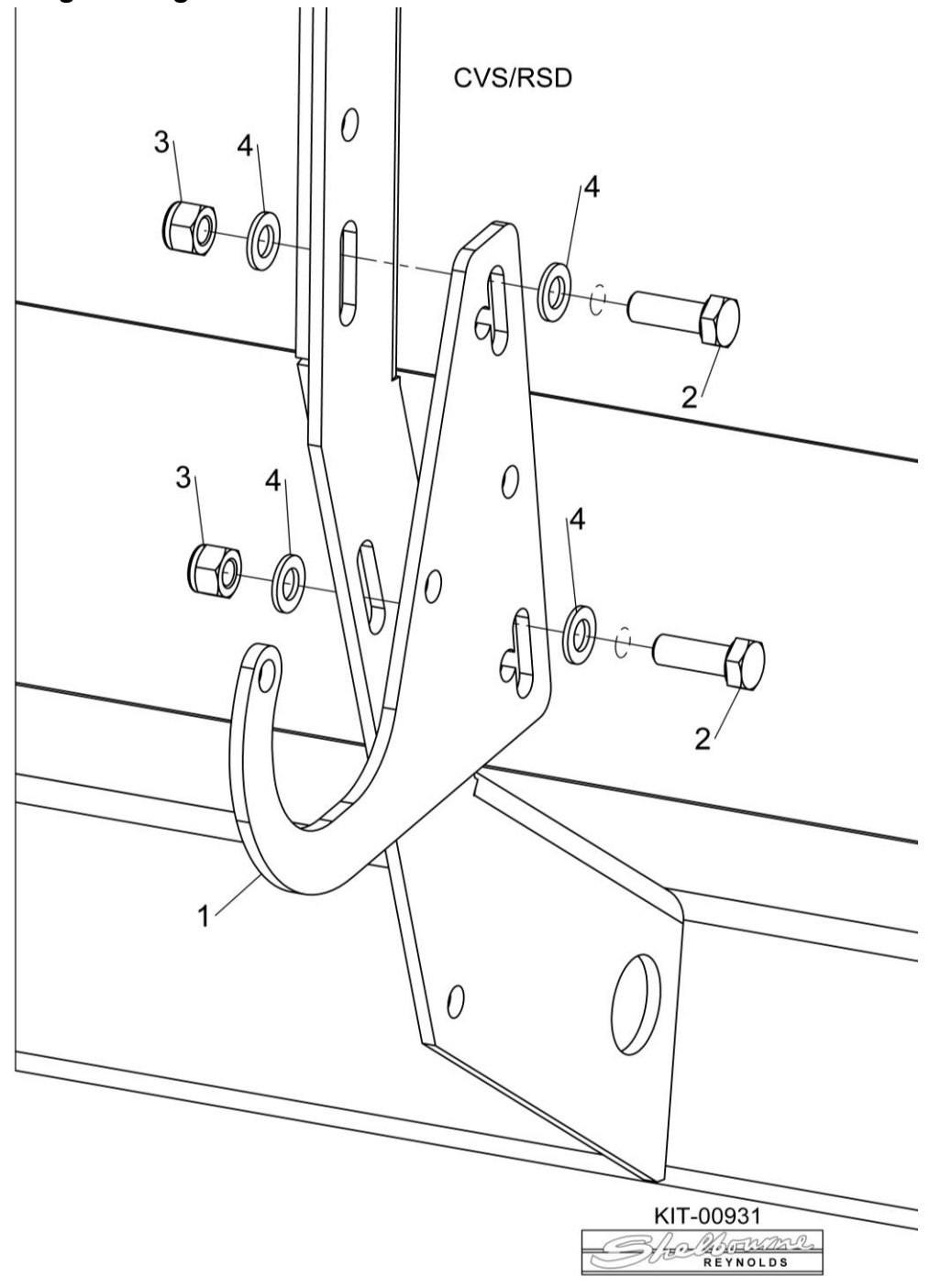
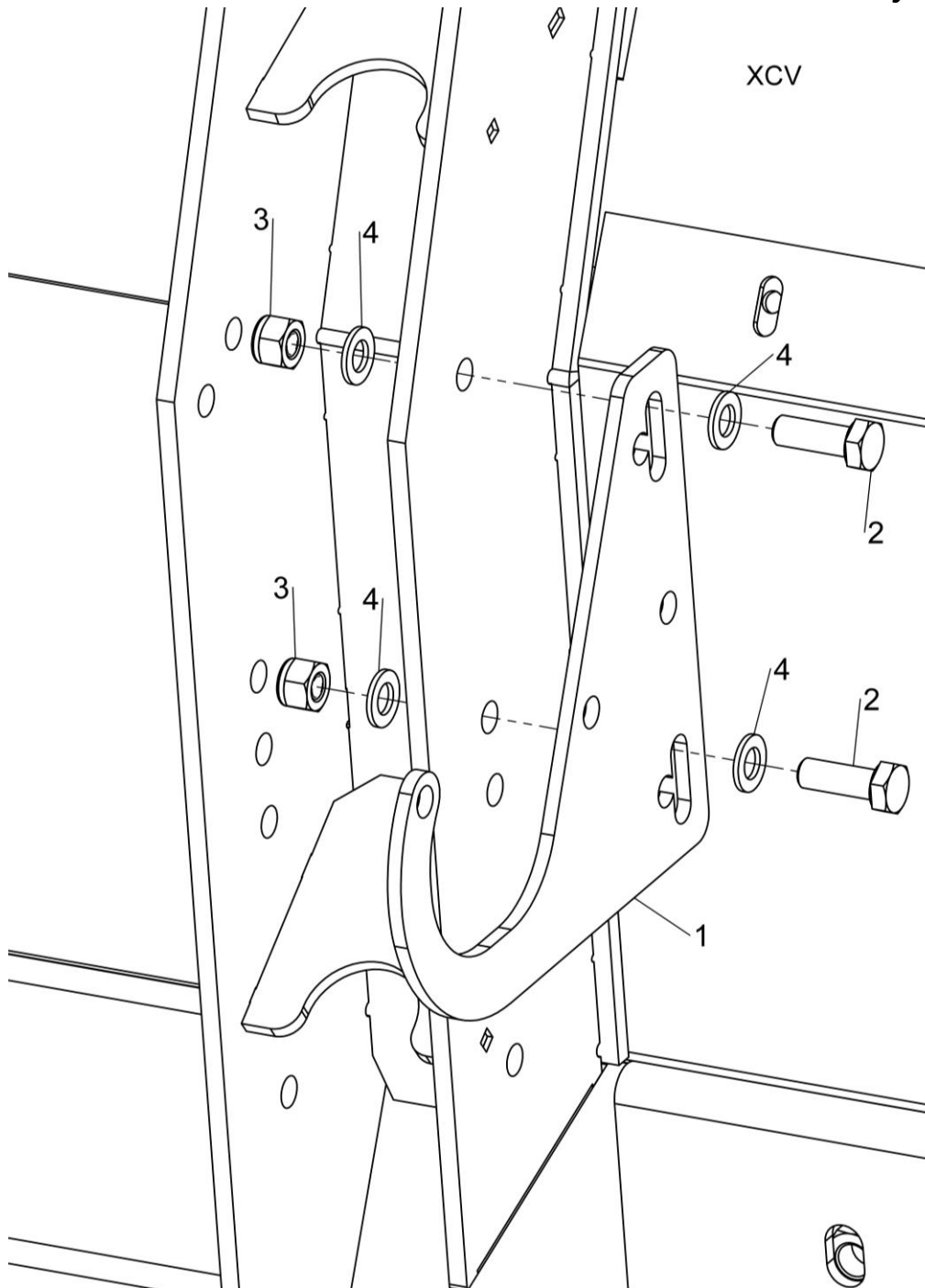


NOTE :
BOTH BEARINGS (ITEM 5) BOLT
TO THE INSIDE FACE OF THE BEARING BOX,
WITH THE LOCKING COLLARS FACING
INWARDS.

KIT-00311

Shelbourne Reynolds Engineering Limited

ASSY NUMBER: KIT-00931				ASSY DESCRIPTION: PTO SUPPORT KIT			
ITEM	PART NO	DESCRIPTION	QTY	ITEM	PART NO	DESCRIPTION	QTY
1	191945 01	PTO SUPPORT	1				
2	HSS-0241	SETSCREW	2				
3	NUT-0269	NYLOC NUT	2				
4	WSH-0018	PLAIN WASHER	4				

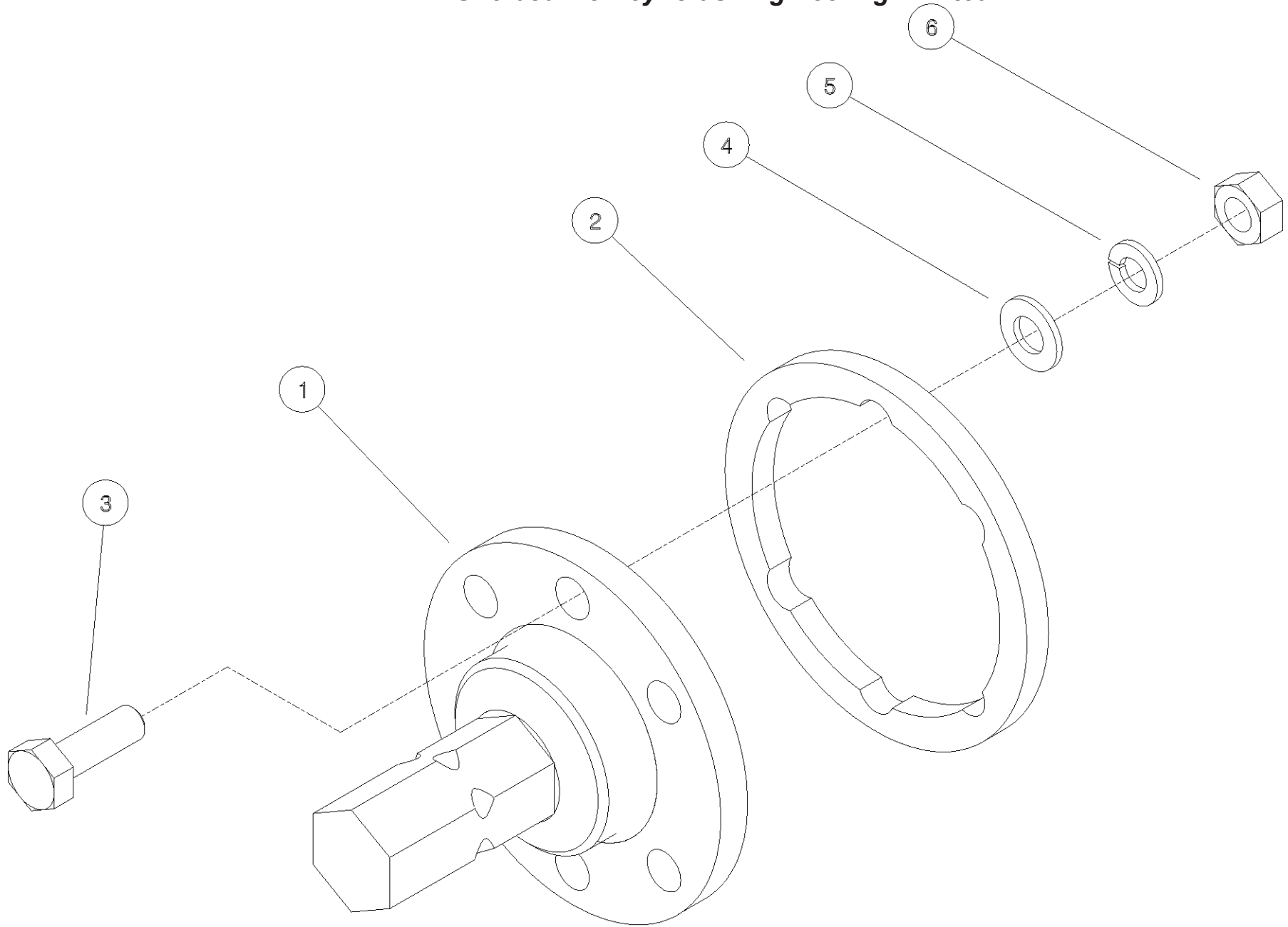


KIT-00931



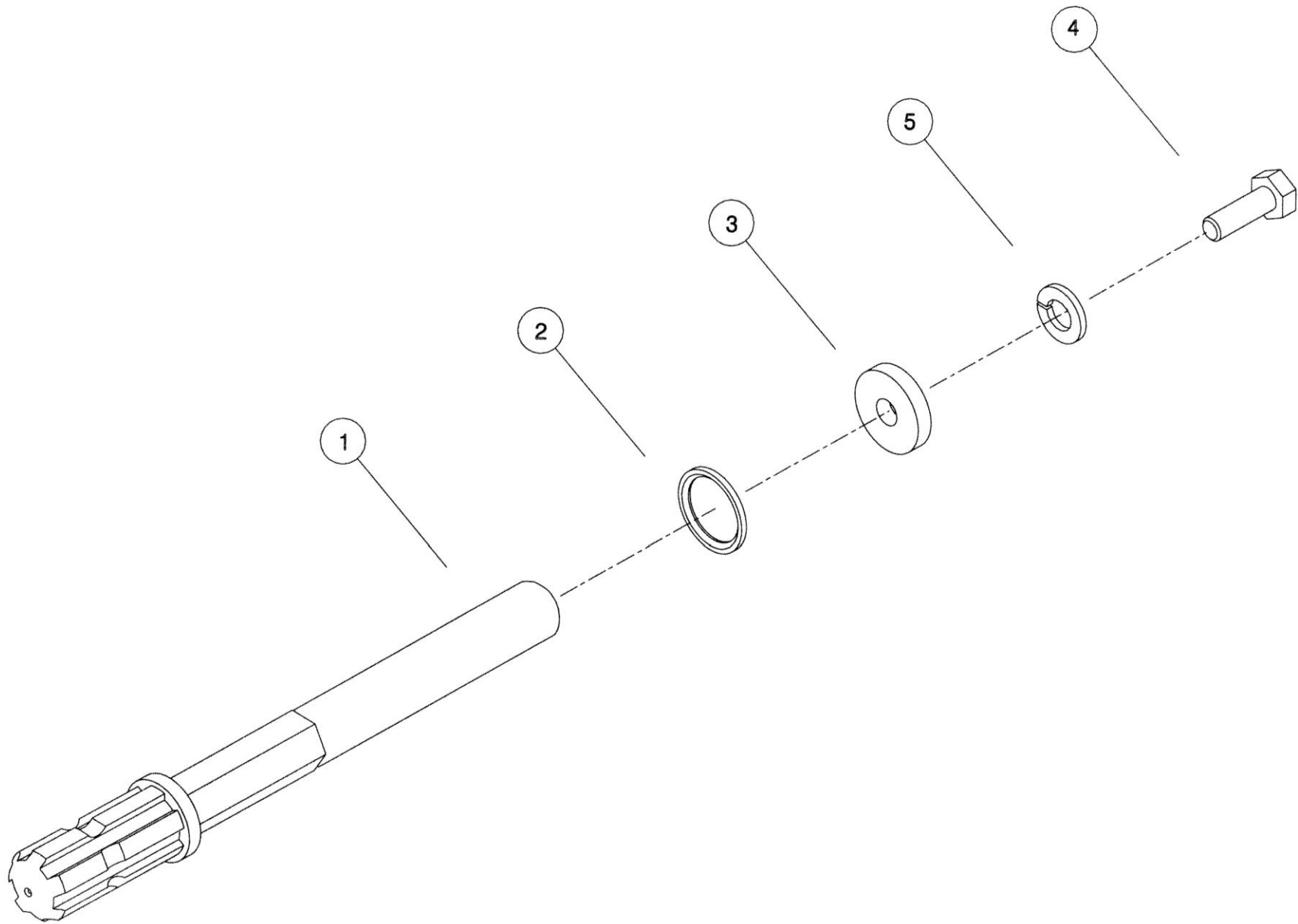
Shelbourne Reynolds Engineering Limited

ASSY NUMBER: KIT-00975				ASSY DESCRIPTION: JD DRIVE COUPLING ADAPTOR KIT			
ITEM	PART NO	DESCRIPTION	QTY	ITEM	PART NO	DESCRIPTION	QTY
1	193092 01	JD DRIVE ADAPTOR	1				
2	193094 01	SPACER RING	1				
3	HSS-0241	SET SCREW	6				
4	WSH-0018	PLAIN WASHER	6				
5	WSH-0065	SPRING WASHER	6				
6	NUT-0170	PLAIN NUT	6				



Shelbourne Reynolds Engineering Limited

ASSY NUMBER:KIT-01210				ASSY DESCRIPTION:JD DRIVE SHAFT KIT			
ITEM	PART NUMBER	DESCRIPPTION	QTY	ITEM	PART NUMBER	DESCRIPTION	QTY
1	193333 01	DRIVE SHAFT	1				
2	193337 01	SPACER RING	1				
3	190119 13	WASHER	1				
4	HSSA12234	SETSCREW (M12 x 35)	1				
5	WSH-0065	SPRING WASHER (M12)	1				

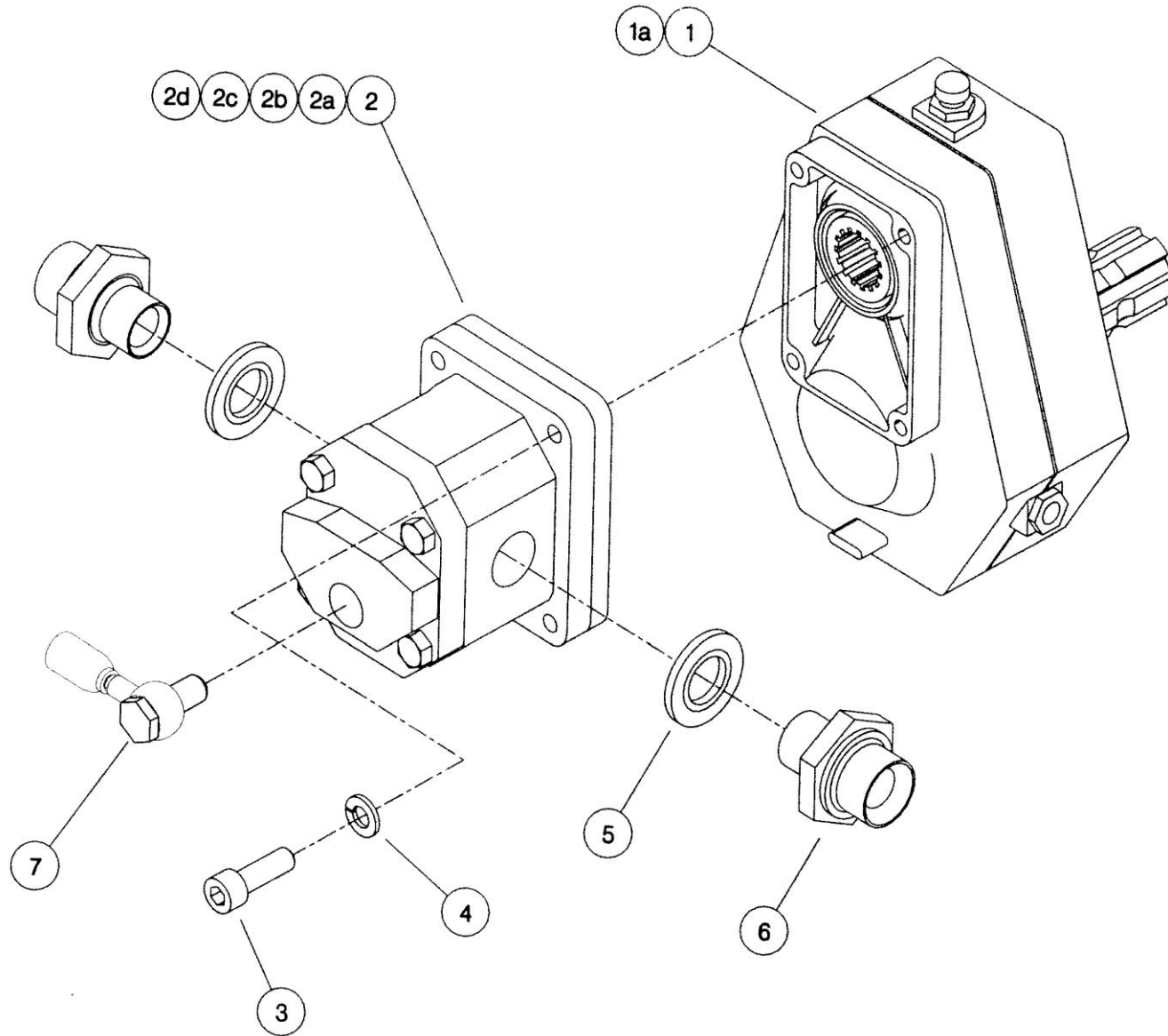


KIT-01210

Shelbourne Reynolds Engineering Limited

ASSY NUMBER: KIT-02406				ASSY DESCRIPTION: HYD.PUMP & GEARBOX ASSEMBLY. (MED)			
ITEM	PART NO	DESCRIPTION	QTY	ITEM	PART NO	DESCRIPTION	QTY
1	GEA-0020	GEARBOX 1 3/8" x 6 SPLINE MALE)	1				
1a	GEA-1400	GEARBOX/PUMP COUPLING	1				
2	PUM100180	HYD.PUMP 18 CC/REV,TAPPED PORTS)	1				
2a	HPS-00005	HYD.PUMP SEAL KIT	1				
2b	GEA-1405	NUT	1				
2c	GEA-1410	TAB WASHER	1				
2d	GEA-1415	WOODRUFF KEY	1				
3	SCW-0136	CAP HD SCREW	4				
4	WSH-0058	SPRING WASHER	4				
5	WSH-1020	DOWTY WASHER	2				
6	HMA-0075	FITTING	2				
7	HFAW50003	BANJO BOLT & SEAL	1				

Shelbourne Reynolds Engineering Limited

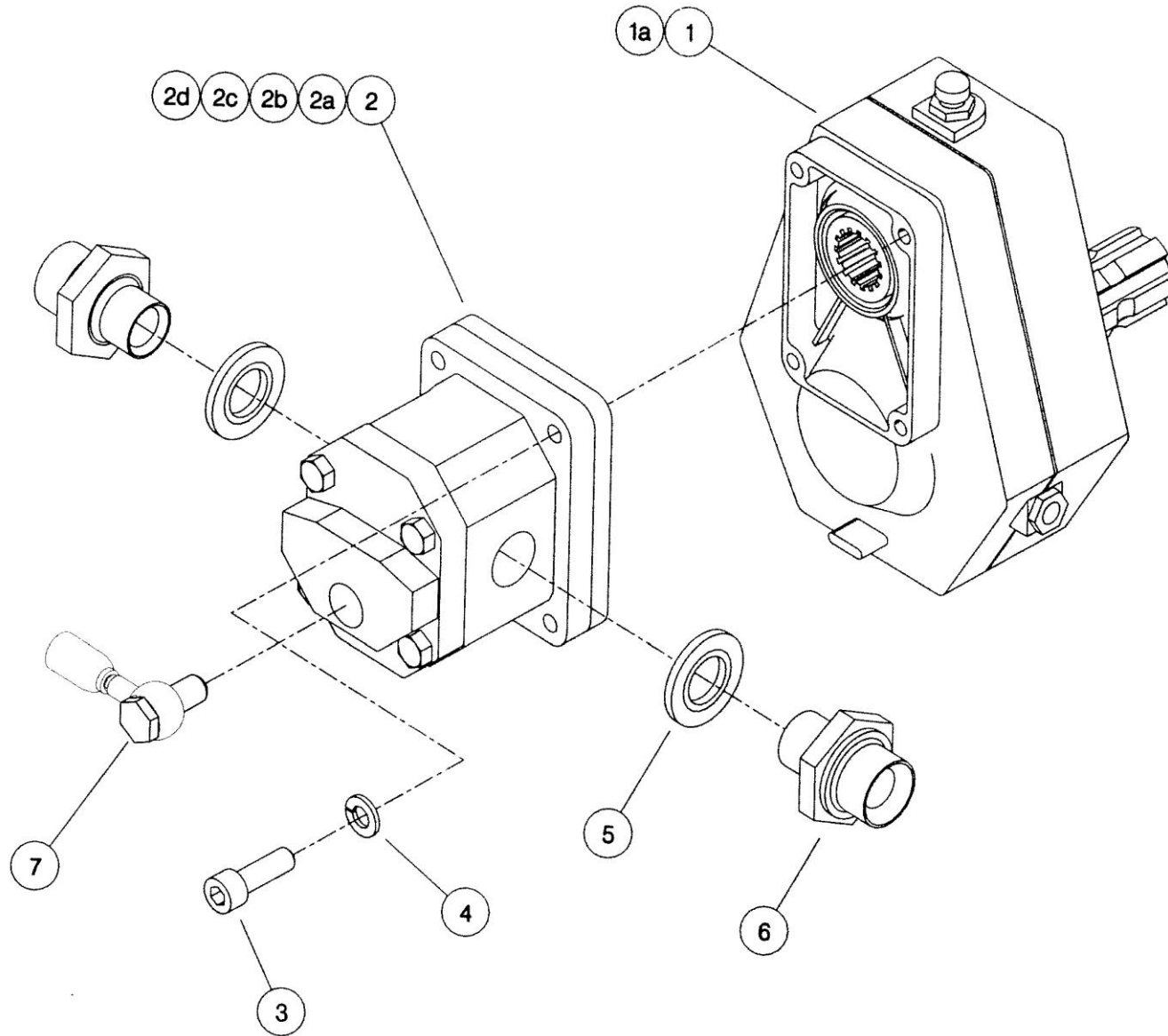


KIT-02406/7/8

Shelbourne Reynolds Engineering Limited

ASSY NUMBER: KIT-02407				ASSY DESCRIPTION: HYD.PUMP & GEARBOX ASSEMBLY. (FAST)			
ITEM	PART NO	DESCRIPTION	QTY	ITEM	PART NO	DESCRIPTION	QTY
1	GEA-0020	GEARBOX 1 3/8" x 6 SPLINE MALE)	1				
1a	GEA-1400	GEARBOX/PUMP COUPLING	1				
2	PUM100110	HYD.PUMP 10.6 CC/REV,TAPPED PORTS)	1				
2a	HPS-00005	HYD.PUMP SEAL KIT	1				
2b	GEA-1405	NUT	1				
2c	GEA-1410	TAB WASHER	1				
2d	GEA-1415	WOODRUFF KEY	1				
3	SCW-0136	CAP HD SCREW	4				
4	WSH-0058	SPRING WASHER	4				
5	WSH-1015	DOWTY WASHER	2				
6	FIT-0246	FITTING	2				
7	HFAW50003	BANJO BOLT & SEAL	1				

Shelbourne Reynolds Engineering Limited

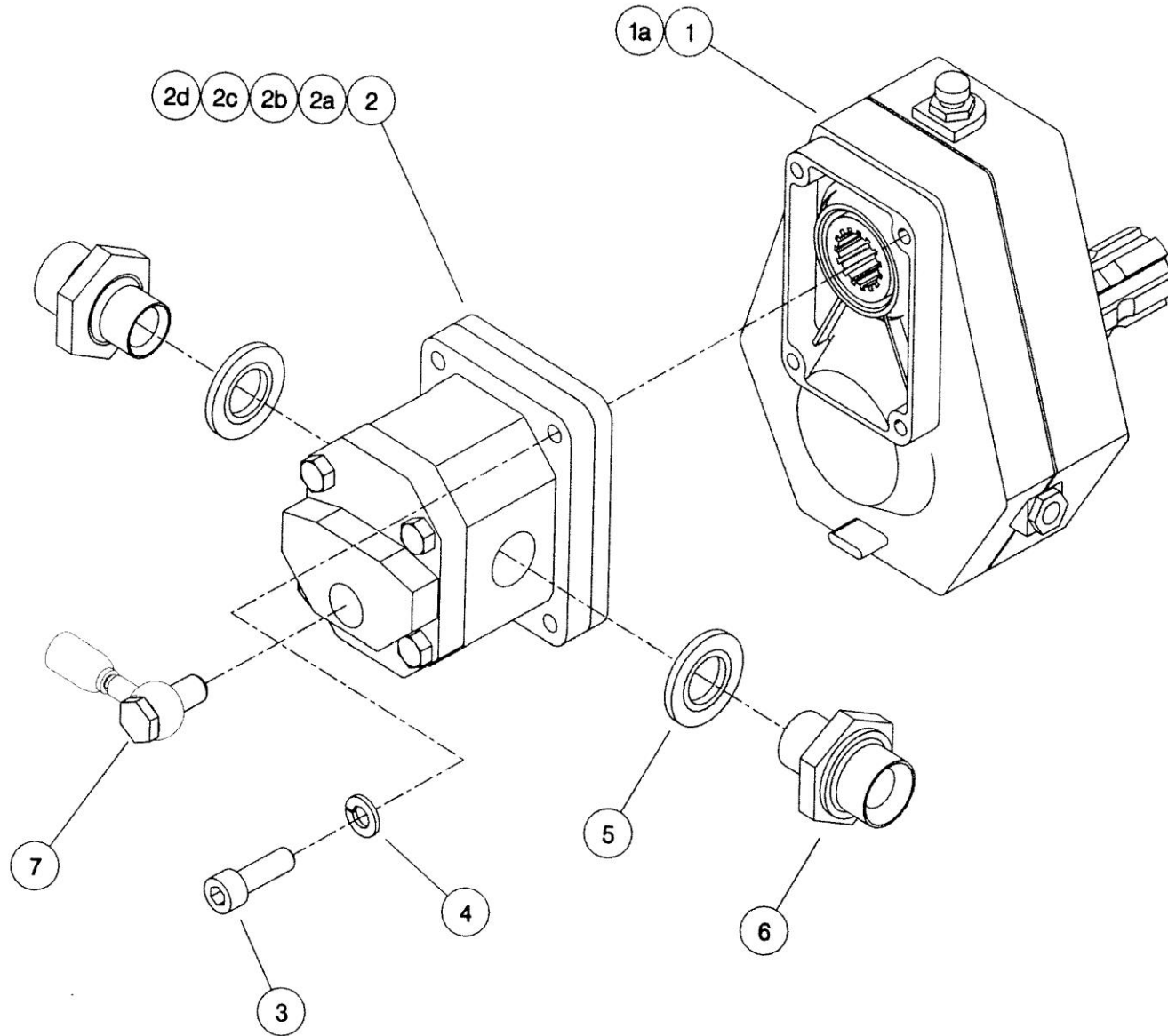


KIT-02406/7/8

Shelbourne Reynolds Engineering Limited

ASSY NUMBER: KIT-02408				ASSY DESCRIPTION: HYD.PUMP & GEARBOX ASSEMBLY. (SLOW)			
ITEM	PART NO	DESCRIPTION	QTY	ITEM	PART NO	DESCRIPTION	QTY
1	GEA-0020	GEARBOX 1 3/8" x 6 SPLINE MALE)	1				
1a	GEA-1400	GEARBOX/PUMP COUPLING	1				
2	PUM100230	HYD.PUMP 22.3 CC/REV,TAPPED PORTS)	1				
2a	HPS-00005	HYD.PUMP SEAL KIT	1				
2b	GEA-1405	NUT	1				
2c	GEA-1410	TAB WASHER	1				
2d	GEA-1415	WOODRUFF KEY	1				
3	SCW-0136	CAP HD SCREW	4				
4	WSH-0058	SPRING WASHER	4				
5	WSH-1020	DOWTY WASHER	2				
6	HMA-0075	FITTING	2				
7	HFAW50003	BANJO BOLT & SEAL	1				

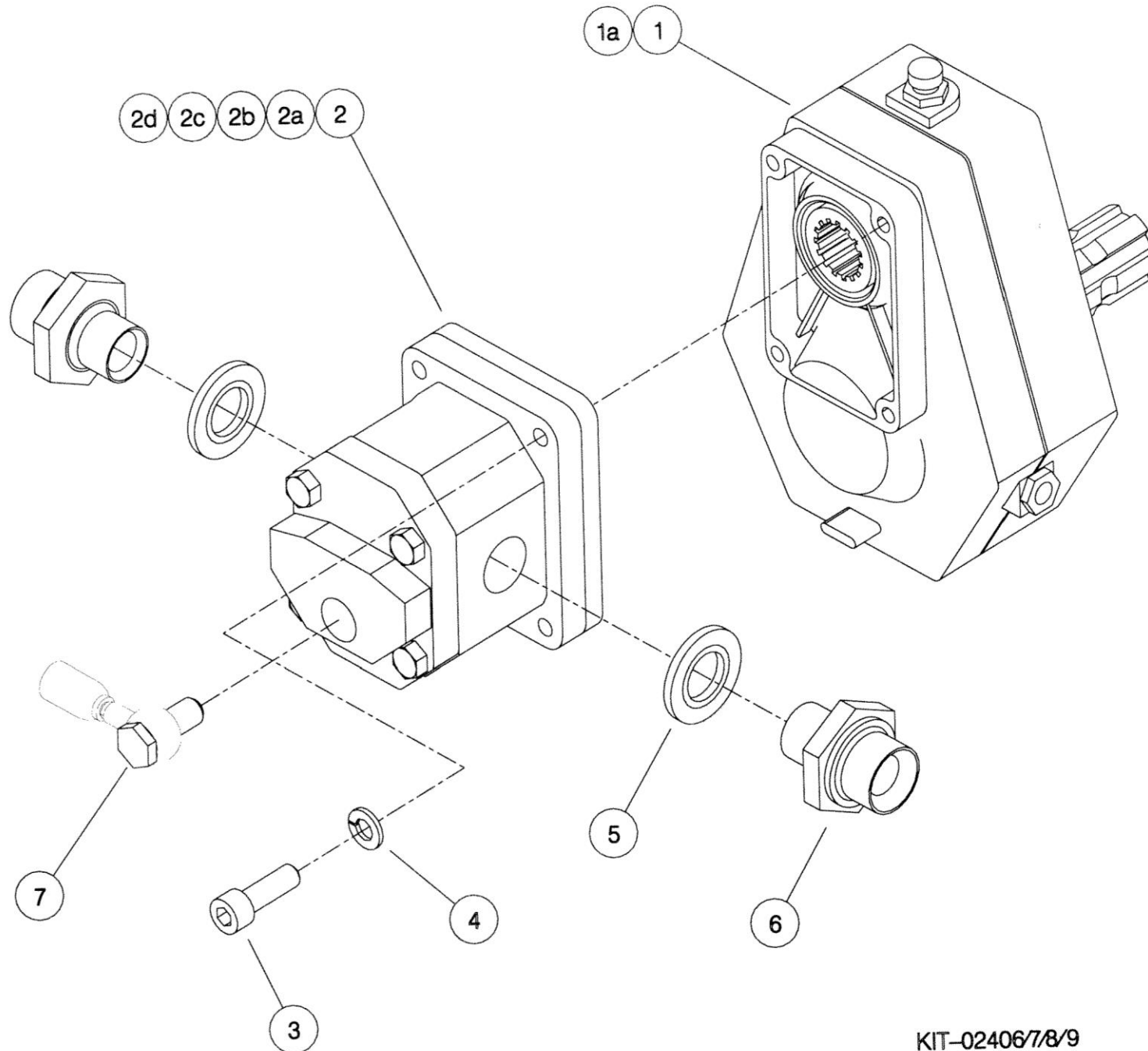
Shelbourne Reynolds Engineering Limited



KIT-02406/7/8

Shelbourne Reynolds Engineering Limited

ASSY NUMBER:KIT-02409				ASSY DESCRIPTION:HYD.PUMP & GEARBOX ASSY. (MED-FAST)			
ITEM	PART NUMBER	DESCRIPPTION	QTY	ITEM	PART NUMBER	DESCRIPTION	QTY
1	GEA-0020	GEARBOX 1 3/8" x 6 SPLINE MALE)	1				
1a	GEA-1400	GEARBOX/PUMP COUPLING	1				
2	PUM100150	HYD.PUMP 14.6 CC/REV, TAPPED PORTS)	1				
2a	HPS-00005	HYD.PUMP SEAL KIT	1				
2b	GEA-1405	NUT	1				
2c	GEA-1410	TAB WASHER	1				
2d	GEA-1415	WOODRUFF KEY	1				
3	SCW-0136	CAP HD SCREW	4				
4	WSH-0058	SPRING WASHER	4				
5	WSH-1015	DOWTY WASHER	2				
6	FIT-0246	FITTING	2				
7	HFAW50003	BANJO BOLT & SEAL	1				

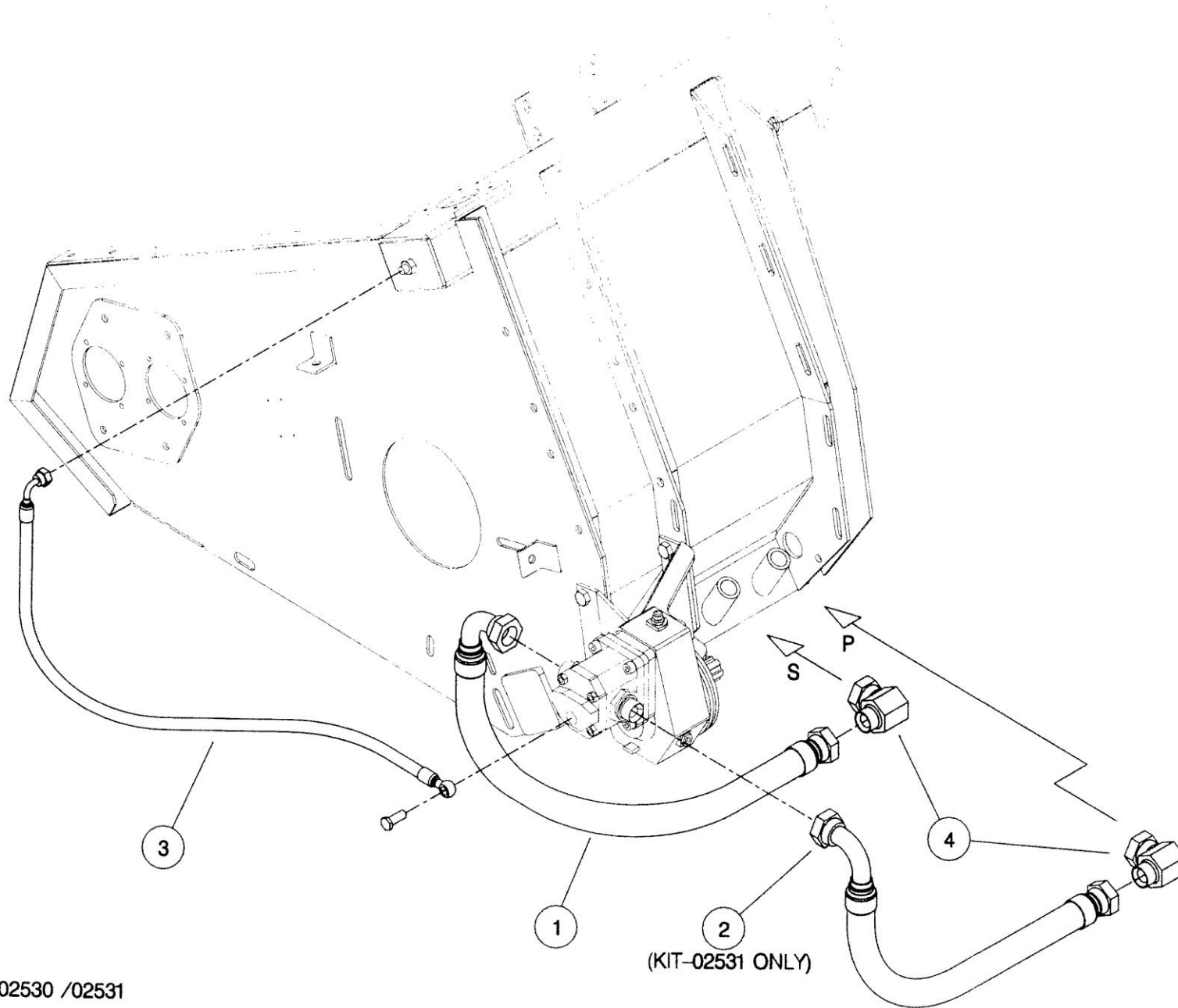


KIT-02406/7/8/9

Shelbourne Reynolds Engineering Limited

ASSY NUMBER: KIT-02530				ASSY DESCRIPTION: HYD.HOSE KIT			
ITEM	PART NO	DESCRIPTION	QTY	ITEM	PART NO	DESCRIPTION	QTY
1	HHBI07505	HOSE (1" STR. & 90 SWEPT)	2				
2							
3	HHLC09040	HOSE (1/4" EYELET & 90 SWEPT)	1				
4	FIT-0547	ELBOW FITTING	2				

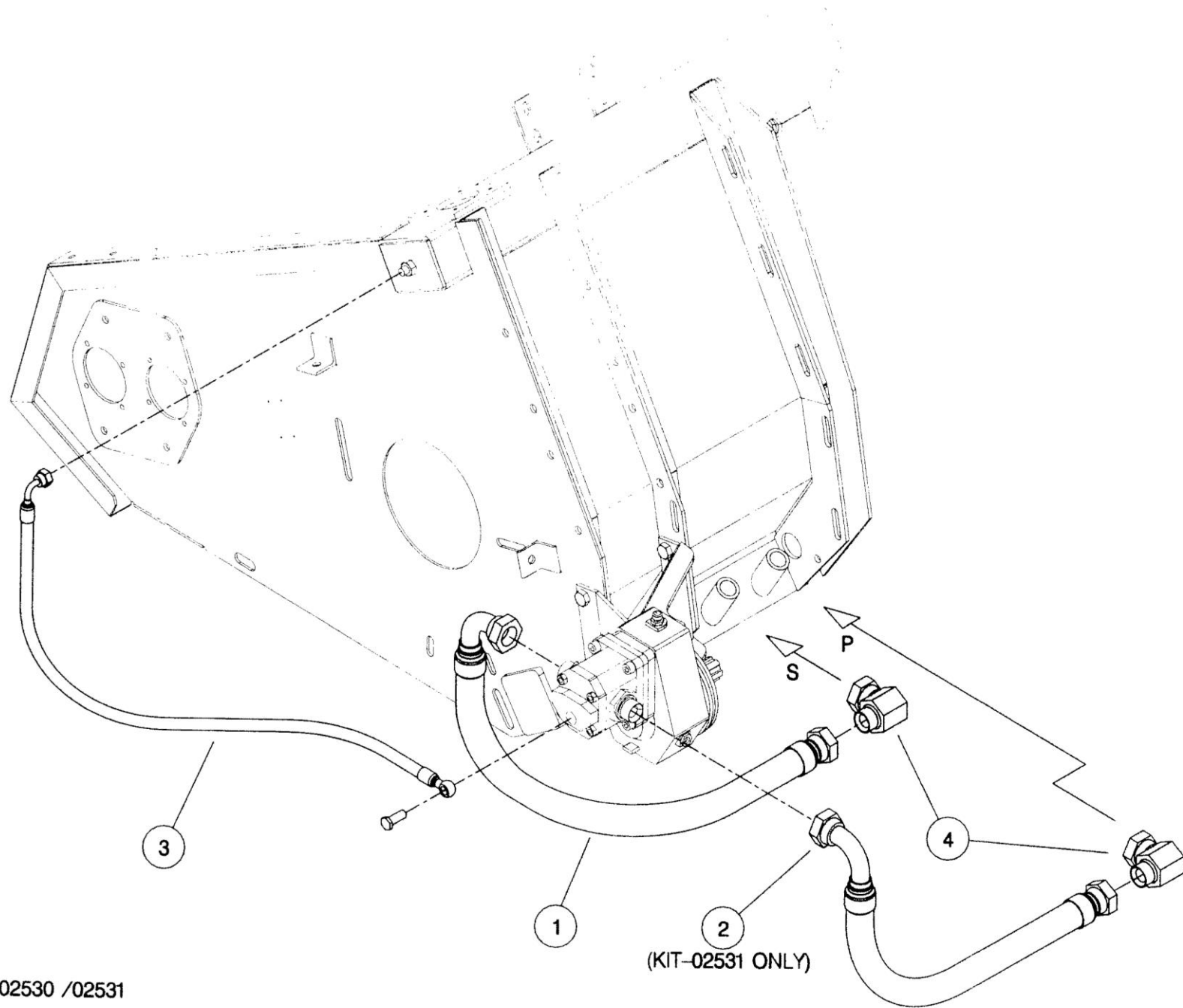
Shelbourne Reynolds Engineering Limited



KIT-02530 /02531

Shelbourne Reynolds Engineering Limited

ASSY NUMBER:KIT-02531				ASSY DESCRIPTION:HYD.HOSE KIT			
ITEM	PART NUMBER	DESCRIPPTION	QTY	ITEM	PART NUMBER	DESCRIPTION	QTY
1	HHBI07505	HOSE (1" STR. & 90 SWEPT)	1				
2	HHBI09005	HOSE (1" STR. & 90 SWEPT)	1				
3	HHLC09040	HOSE (1/4"EYELET &90 SWEPT)	1				
4	FIT-0547	ELBOW FITTING (1"FEMx1"MALE)	2				



KIT-02530 /02531

